

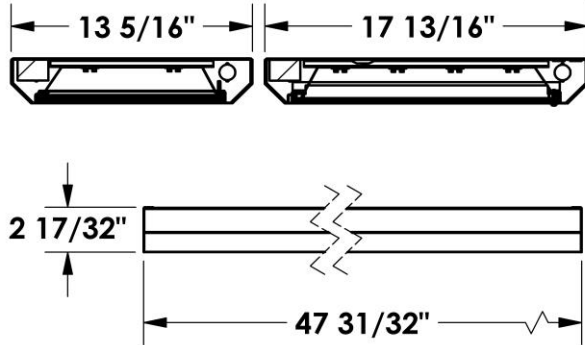
PROJECT:

NOTES:

ORDERING INFORMATION:

**EXAMPLE** PUHG - 48 - L - 240 - 9 - 40 - L1 - MV - BC6 - CW2 - DM  
 SERIES      NOM. LENGTH      SOURCE      LUMENS      CRI      KELVINS      LENS      VOLTAGE      OPTIONS      CONTROLS      DRIVER

SHOP DRAWINGS



ORDERING INFORMATION

SERIES	
PUHG	

KELVIN	
30	3000K
35	3500K
40	4000K
50	5000K
TW	Tunable White

NOMINAL LENGTH	
48	48" (18" inch wide)
8T	96" L Tandem (18")
48N	48" (13" inch wide)
8TN	96" L Tandem Narrow (13")

LENS	
00	No Lens
A0	Acrylic K12 - 0.95" (standard)
A1	Acrylic K12 - 0.125"
L1	Frosted Acrylic - 0.118"
H1	White Opal Acrylic - 0.125"
L2	White Frosted Polycarbonate

SOURCE	
L	LED

LUMENS

Lumen Package *	Nom. Lumens	Wattage
150	15,000	107
200	20,000	147
240	24,000	177
96"		
Check with factory		

\*Other lumen packages available.

CRI	
BLANK	80 CRI
9	90 CRI

VOLTAGE	
MV	120-277V
347	347V

OPTIONS	
BC#	Black Cab Tire Wire #ft
AC#	Suspension Aircraft Cable #ft
CS#	Chain Suspension Kit #ft
EM	Emergency Power Pack

**CONTROLS**  
 BLANK None  
 Click on the following link for control options:  
<https://bit.ly/2C5IXqa>

**DRIVERS**  
 BLANK Non-dimming applications  
 DM 0-10V dimming  
 DA DALI driver  
 Click on the following link for special driver options:  
<https://bit.ly/2Fq26qU>

FEATURES

- > Premium-grade high/low bay luminaire designed for athletic application:
- > Robust construction and wireguard to withstand impact of stray balls
- > Wide selection of LED packages available for a broad range of output levels and ceiling heights
- > Variety of lenses for smooth and uniform illumination
- > Minimum 80 CRI; color range 3000K - 5000K available
- > Multiple dimming protocols available
- > Energy-saving occupancy sensor option available
- > Tunable White option available
- > Efficacies up to 140 lm/W
- > 100% made in Canada

APPLICATIONS

- > Sport Facilities
- > Gymnasiums
- > Manufacturing Plants
- > Warehouse

LED

FIXTURE PERFORMANCE DATA

SPECIFICATIONS

**Housing/Reflector** – Precision die-formed 20-gauge cold rolled steel. Door with wireguard secured with screws.

**Shielding** – Variety of lenses available

**Finish** – Baked white enamel powder finish applied post production on all surfaces for smooth edges and safe handling

**Electrical** – High quality mid-power LED boards. L70 >50,000 hours.

**Mounting** – Suspended or surface

**Listings** –  
 ■ cUL certified as luminaire suitable for dry or damp locations.

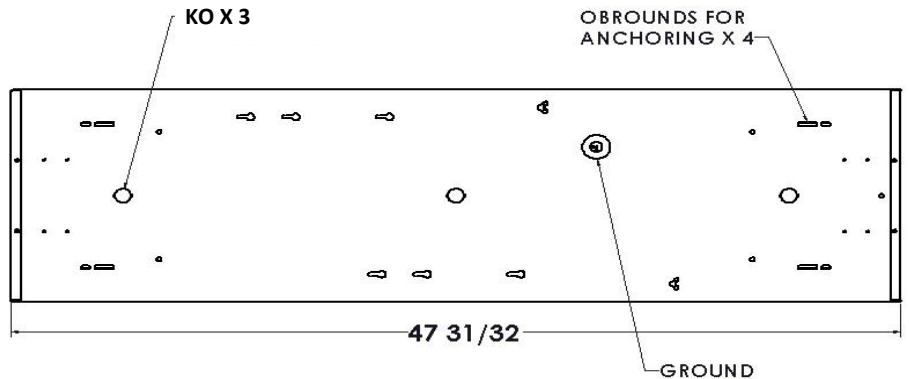
**Warranty** – 5-year limited warranty

LED PACKAGE	DELIVERED LUMENS	WATTAGE	EFFICACY (lm/W)
48"			
150	14,932	107	140
200	19,918	147	136
240	23,903	177	135

\*Results based on 4000K, 80 CRI, Lens A1

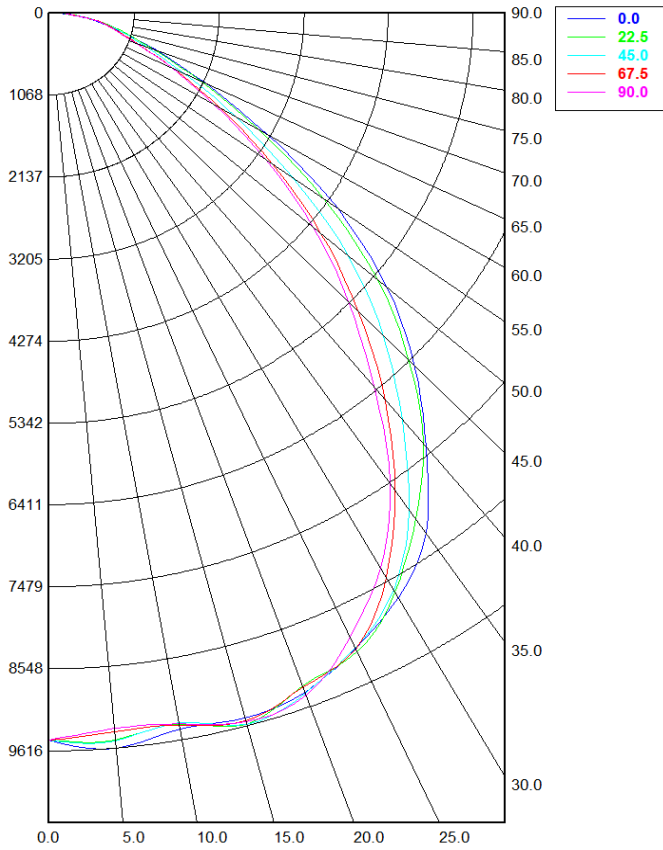
MULTIPLIER TABLE	
COLOR TEMPERATURE	
CCT/CRI	CONVERSION FACTOR
3000K / 80 CRI	0.95
3500K / 80 CRI	0.97
4000K / 80 CRI	1
5000K / 80 CRI	1.03

FIXTURE DETAILS



PHOTOMETRY

PUHG-48-LED-240-40-A1-MVOLT Total Luminaire Output: 23,903 lumens; 177 Watts



Candela Table

	0°	22.5°	45°	67.5°	90°
0°	9,474.96	9,474.96	9,474.96	9,474.96	9,474.96
5°	9,616.27	9,506.64	9,519.13	9,405.99	9,359.29
10°	9,476.6	9,408.41	9,394.72	9,422.16	9,408.27
15°	9,508.8	9,592.51	9,592.74	9,549.58	9,563.14
20°	9,415.87	9,329.64	9,428.76	9,348.6	9,458.86
25°	9,140.18	9,192.81	9,134.1	9,144.87	8,975.74
30°	8,801.8	8,719.97	8,686.48	8,498.67	8,355.99
35°	8,276.66	8,054.59	7,907.09	7,599.59	7,495.82
40°	7,393.52	7,332.33	6,922.8	6,592.95	6,385.2
45°	6,527.35	6,424.78	5,966.67	5,523.4	5,344.77
50°	5,563.91	5,407.87	4,923.02	4,464.01	4,336.53
55°	4,426.16	4,211.37	3,724.57	3,420.75	3,322.46
60°	3,164.18	3,040.67	2,723.82	2,496.51	2,401.77
65°	2,165.33	2,087.27	1,874.4	1,727.02	1,693.25
70°	1,428.53	1,400.57	1,288.25	1,194.23	1,159.7
75°	919.28	955.83	923.69	873.38	844.66
80°	580.74	601.47	631.86	609.12	601.11
85°	248.73	269.72	286.78	291.32	270.57
90°	9.83	15.06	25.21	58.27	62.14

Luminaire Spacing Criterion (spacing to mounting height ratio)

- Two luminaires, plane 0° 1.35
- Two luminaires, plane 90° 1.27
- Four luminaires 1.34

Zonal Lumen Summary

Zone	Lumens	% Lamp	% Fixture
0° - 30°	7,819.81	9,060.92%	32.71%
0° - 40°	12,694.6	14,709.4%	53.11%
0° - 60°	20,665	23,944.9%	86.45%
0° - 90°	23,903.1	27,696.8%	100%
90° - 120°	9.22	10.68%	0.04%
90° - 150°	9.22	10.68%	0.04%
90° - 180°	9.22	10.68%	0.04%
0° - 180°	23,903.1	27,696.8%	100%

