

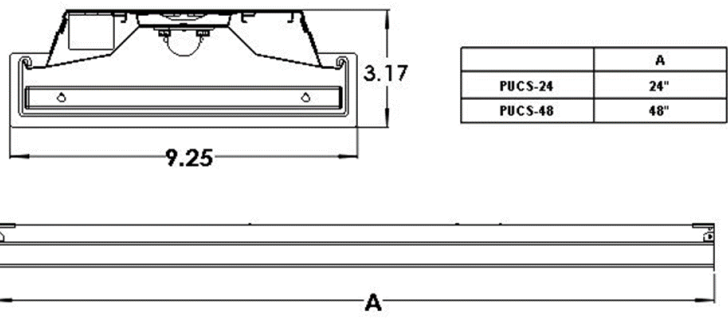
PROJECT:

NOTES:

ORDERING INFORMATION:

EXAMPLE PUCS - 48 - LED - 40 - 40 - MVOLT - WC6 - DIM
 SERIES NOM. LENGTH SOURCE LUMENS KELVINS VOLTAGE OPTIONS DRIVER

SHOP DRAWINGS



ORDERING INFORMATION

SERIES	KELVIN
PUCS	30 3000K
	35 3500K
	40 4000K
	50 5000K
	TW Tunable White

NOMINAL LENGTH
24 24"
48 48"

SOURCE
LED

LUMENS	Lumen Package*	Nom. Lumens	Wattage
24"			
	20	2,000	14
	30	3,000	20
48"			
	40	4,000	26
	60	6,000	40

VOLTAGE
MVOLT 120-277V
347 347V

OPTIONS
OCC Occupancy Sensor
BC# Black Cab Tire Wire #ft
AC# Suspension Aircraft Cable #ft
WC# White Cab Tire Wire #ft

DRIVER
BLANK Non-dimming applications
DIM Dimming applications

FEATURES

- > Premium-grade wrap-around ceiling luminaire
- > Surface or suspended mounting
- > 100% made in Canada
- > Clear acrylic diffuser with prismatic bottom and ribbed sides
- > Continuous row-mounting capability
- > Minimum 80 CRI; color range 3000K - 5000K available
- > Tunable White option available
- > Multiple dimming protocols available
- > Energy-saving occupancy sensor option available
- > Efficacies up to 154 lm/W

APPLICATIONS

- > Stairwells
- > Corridors
- > Utility areas
- > Commercial applications
- > Schools

Nominal lumen output based on 4000 CCT.
 May vary +/-5%.
 See fixture performance date.

*Other lumen packages available. Specify in increments of 100 nominal lumens.
 For example, to specify 4,700 nominal lumens:
 PUCS - [...] - 47 - [...]

FIXTURE PERFORMANCE DATA

SPECIFICATIONS

Housing/Reflector – Precision die-formed 22-gauge C.R.S.

Shielding – Clear acrylic diffuser with prismatic bottom and ribbed sides

Finish – Baked white enamel powder finish applied post production on all surfaces for smooth edges and safe handling.

Electrical – High quality mid-power LED boards. L70 >50,000 hours

Mounting – Suspended or Surface

Listings –

■ cUL certified as luminaire suitable for dry or damp locations.

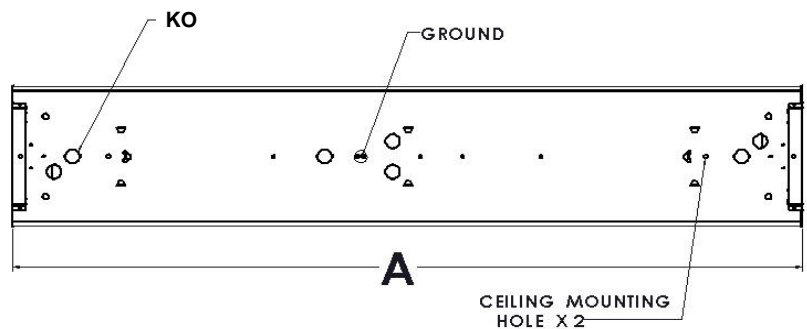
Warranty – 5-year limited warranty

LED PACKAGE	DELIVERED LUMENS	WATTAGE	EFFICACY (lm/W)
24"			
20	1,995	14	142
30	2,957	20	148
48"			
40	4,004	26	154
60	6,001	40	150

*Results based on 4000K, 80 CRI

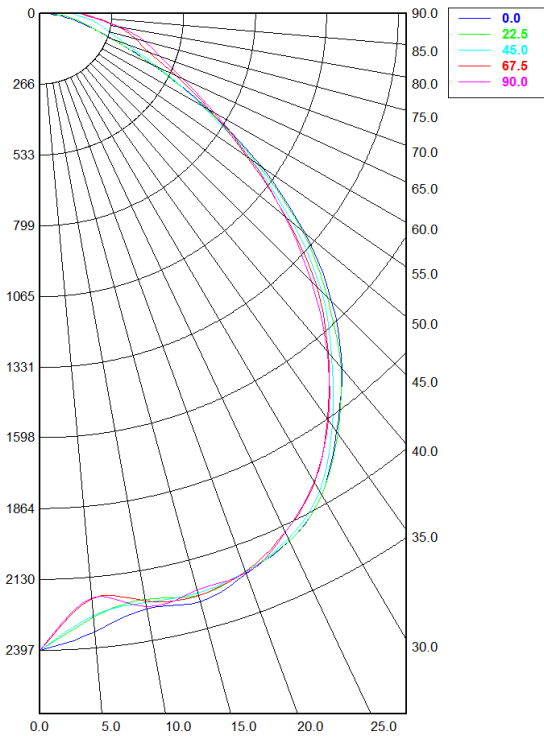
MULTIPLIER TABLE	
COLOR TEMPERATURE	
CCT/CRI	CONVERSION FACTOR
3000K / 80 CRI	0.95
3500K / 80 CRI	0.97
4000K / 80 CRI	1
5000K / 80 CRI	1.03

FIXTURE DETAILS



PHOTOMETRY

PUCS-48-LED-60-40-MVOLT Total Luminaire Output: 6,001 lumens; 40 Watts



Candela Distribution

	0.00°	22.50°	45.00°	67.50°	90.00°
0.00°	2,396.63	2,396.63	2,396.63	2,396.63	2,396.63
5.00°	2,336.09	2,280.59	2,274.68	2,210.59	2,207.96
10.00°	2,274.81	2,239.47	2,250.67	2,245.17	2,268.18
15.00°	2,293.38	2,267.16	2,257.70	2,268.63	2,247.52
20.00°	2,242.70	2,236.56	2,235.56	2,233.27	2,240.57
25.00°	2,192.34	2,191.95	2,183.11	2,155.61	2,157.20
30.00°	2,093.69	2,094.69	2,076.71	2,039.38	2,038.60
35.00°	1,922.36	1,929.45	1,894.01	1,864.51	1,868.42
40.00°	1,746.02	1,739.69	1,687.79	1,666.33	1,660.85
45.00°	1,534.38	1,510.90	1,480.49	1,455.16	1,427.40
50.00°	1,285.03	1,274.89	1,226.62	1,195.41	1,188.15
55.00°	1,000.47	975.90	952.48	934.19	948.74
60.00°	712.09	700.35	690.25	725.16	745.87
65.00°	466.74	464.15	488.69	556.99	581.77
70.00°	288.75	283.53	342.44	430.42	474.19
75.00°	174.75	187.37	262.13	363.81	398.38
80.00°	107.73	125.80	213.62	293.23	299.83
85.00°	44.00	68.29	152.23	208.95	197.77
90.00°	11.04	33.88	117.77	153.30	136.40

Spacing Criterion:

Two luminaires, plane 0°	1.27
Two luminaires, plane 90°	1.25
Four luminaires	1.33

Zonal Lumen Summary

Zone	Lumens	% Fixture
0.00° - 10.00°	229.44	3.82%
10.00° - 20.00°	638.30	10.64%
20.00° - 30.00°	997.38	16.62%
30.00° - 40.00°	1,178.97	19.65%
40.00° - 50.00°	1,132.66	18.87%
50.00° - 60.00°	858.47	14.30%
60.00° - 70.00°	514.00	8.56%
70.00° - 80.00°	294.60	4.91%
80.00° - 90.00°	157.52	2.62%
90.00° - 100.00°	25.94	0.43%
100.00° - 110.00°	0.00	0.00%
110.00° - 120.00°	0.00	0.00%
120.00° - 130.00°	0.00	0.00%
130.00° - 140.00°	0.00	0.00%
140.00° - 150.00°	0.00	0.00%
150.00° - 160.00°	0.00	0.00%
160.00° - 170.00°	0.00	0.00%
170.00° - 180.00°	0.00	0.00%
0.00° - 90.00°	6,001.35	100.00%
90.00° - 180.00°	25.94	0.43%
0.00° - 180.00°	6,001.35	100.00%