

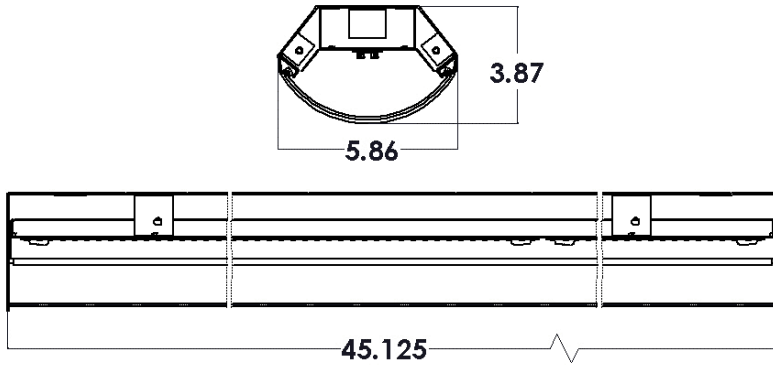
PROJECT:

NOTES:

ORDERING INFORMATION:

**EXAMPLE** PUCS - A - 45 - L - 40 - 9 - 40 - MV - EM - BK - CL5 - DM  
 SERIES ANTI-VANDAL NOM. LENGTH SOURCE LUMENS CRI KELVINS VOLTAGE OPTIONS FINISH CONTROLS DRIVER

SHOP DRAWINGS



MADE IN CANADA  
FAIT AU CANADA

ORDERING INFORMATION

**SERIES**  
PUCS-A

**KELVIN**  
 30 3000K  
 35 3500K  
 40 4000K  
 50 5000K  
 TW Tunable White

**NOMINAL LENGTH**  
 23 23"  
 45 45"  
 90 90"

**VOLTAGE**  
 MV 120-277V  
 347 347V

**SOURCE**  
L LED

**OPTIONS**  
 AC# Suspension Aircraft Cable #ft  
 BC# Black Cab Tire Wire #ft  
 WC# White Cab Tire Wire #ft  
 EM Emergency Power Pack  
 SH Sealed Housing

LUMENS

**FINISH**  
 BLANK White  
 BK Texture Matte Black  
 AM Antimicrobial White  
 MW Texture Matte White

Lumen Package*	Nom. Lumens	Wattage
<b>23"</b>		
20	2,000	16
40	4,000	34
<b>45"</b>		
40	4,000	27
60	6,000	42
80	8,000	56
<b>90"</b>		
120	12,000	82
160	16,000	115

**CONTROLS**  
 Click on the following link for control options:  
<https://bit.ly/2KzMuAx>

**CRI**  
 BLANK 80 CRI  
 9 90 CRI

**DRIVER**  
 BLANK Non-dimming applications  
 DM 0-10V dimming  
 DA DALI Driver  
 Click on the following link for special driver options:  
<https://bit.ly/2FqZ6qU>

FEATURES

- > Architectural high-abuse surface or pendant-mounted wraparound LED luminaire with robust yet stylish construction
- > Cast aluminium end caps
- > UV-stabilized, high-impact extruded polycarbonate lens locked in place with tamper-resistant screws
- > Minimum 80 CRI; color range 3000K - 5000K available
- > Tunable White option available
- > Mounting accessories available for surface or suspended mounting
- > Multiple dimming protocols available
- > 100% made in Canada

APPLICATIONS

- > Rough service applications
- > Stairwells
- > Corridors
- > Locker rooms
- > Schools

**FIXTURE PERFORMANCE DATA**

**SPECIFICATIONS**

**Housing/Reflector** – Precision die-formed 16-gauge C.R.S.

**Shielding** – UV-stabilized, high-impact extruded polycarbonate lens locked in place with aluminium casting end caps and tamper-resistant screws

**Finish** – Baked white enamel powder finish applied post production on all surfaces for smooth edges and safe handling

**Electrical** – High quality mid-power LED boards. L70 >72,000 hours reported / 129,200 calculated at maximum allowable output current. L85 >50,000 hours.

**Mounting** – Suspended or surface

**Listings** –  
 ■ cUL certified as luminaire suitable for dry or damp locations.

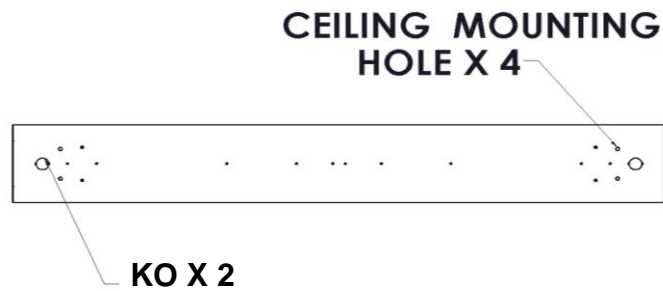
**Warranty** – 5-year limited warranty

LED PACKAGE	DELIVERED LUMENS	WATTAGE	EFFICACY (lm/W)
23"			
20	1,990	14	142
30	2,989	21	142
45"			
40	4,053	27	150
60	6,086	42	145
90"			
120	12,044	82	147
160	15,992	115	139

\*Results based on 4000K, 80 CRI

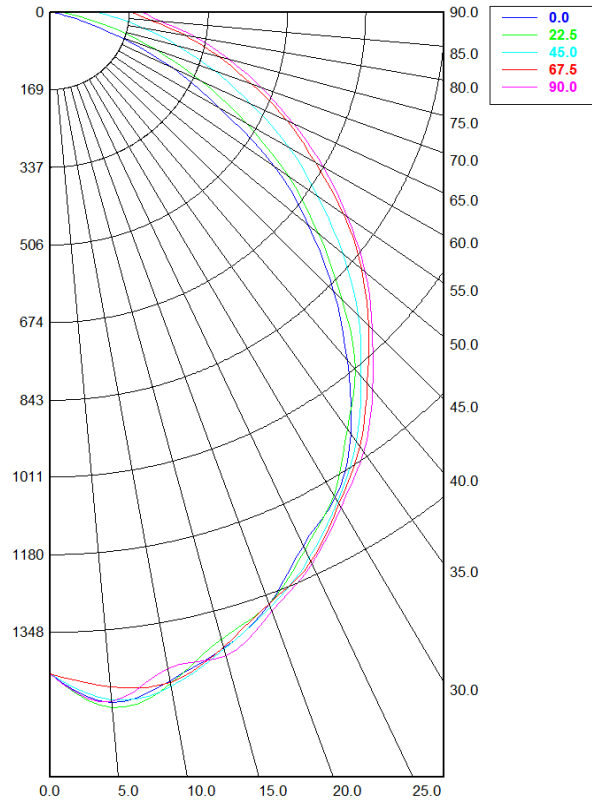
MULTIPLIER TABLE	
COLOR TEMPERATURE	
CCT/CRI	CONVERSION FACTOR
3000K / 80 CRI	0.95
3500K / 80 CRI	0.97
4000K / 80 CRI	1
5000K / 80 CRI	1.03

**FIXTURE DETAILS**



PHOTOMETRY

PUCS-A-45-L-40-40-MV Total Luminaire Output: 4,053 lumens; 27 Watts



Candela Distribution

	0.00°	22.50°	45.00°	67.50°	90.00°
0.00°	1,438.85	1,438.85	1,438.85	1,438.85	1,438.85
5.00°	1,505.44	1,516.64	1,500.08	1,471.20	1,503.88
10.00°	1,474.94	1,481.58	1,487.99	1,478.73	1,448.19
15.00°	1,430.83	1,410.86	1,432.63	1,428.54	1,447.96
20.00°	1,367.81	1,367.66	1,375.69	1,367.31	1,384.93
25.00°	1,278.42	1,287.54	1,309.43	1,318.03	1,323.87
30.00°	1,219.43	1,212.82	1,228.23	1,234.72	1,242.83
35.00°	1,120.03	1,106.41	1,140.40	1,153.68	1,168.17
40.00°	987.41	1,014.72	1,033.28	1,054.02	1,071.65
45.00°	857.28	882.54	931.68	961.73	972.20
50.00°	721.18	750.26	815.94	868.06	879.76
55.00°	583.29	618.15	699.69	767.08	775.66
60.00°	418.65	483.37	588.16	654.49	675.64
65.00°	288.47	357.38	472.92	557.07	571.73
70.00°	151.99	241.43	372.49	458.24	478.89
75.00°	56.16	143.93	279.95	370.18	393.73
80.00°	11.99	77.17	205.71	290.77	315.52
85.00°	2.08	36.96	142.70	217.74	239.29
90.00°	0.63	19.27	99.98	171.96	193.73

Spacing Criterion:

Two luminaires, plane 0°	1.25
Two luminaires, plane 90°	1.27
Four luminaires	1.35

Zonal Lumen Summary

Zone	Lumens	% Fixture
0.00° - 10.00°	150.49	3.71%
10.00° - 20.00°	401.47	9.90%
20.00° - 30.00°	598.77	14.77%
30.00° - 40.00°	707.27	17.45%
40.00° - 50.00°	709.36	17.50%
50.00° - 60.00°	614.97	15.17%
60.00° - 70.00°	449.95	11.10%
70.00° - 80.00°	273.98	6.76%
80.00° - 90.00°	147.10	3.63%
90.00° - 100.00°	26.61	0.66%
100.00° - 110.00°	0.00	0.00%
110.00° - 120.00°	0.00	0.00%
120.00° - 130.00°	0.00	0.00%
130.00° - 140.00°	0.00	0.00%
140.00° - 150.00°	0.00	0.00%
150.00° - 160.00°	0.00	0.00%
160.00° - 170.00°	0.00	0.00%
170.00° - 180.00°	0.00	0.00%
0.00° - 90.00°	4,053.36	100.00%
90.00° - 180.00°	26.61	0.66%
0.00° - 180.00°	4,053.36	100.00%

