

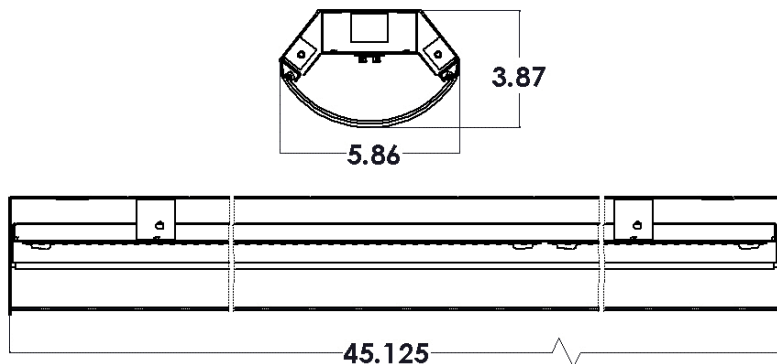
PROJECT:

NOTES:

ORDERING INFORMATION:

EXAMPLE PUCS - A - 45 - L - 40 - 9 - 40 - MV - EM - BK - CL5 - DM
 SERIES ANTI-VANDAL NOM. LENGTH SOURCE LUMENS CRI KELVINS VOLTAGE OPTIONS FINISH CONTROLS DRIVER

SHOP DRAWINGS



ORDERING INFORMATION

SERIES

PUCS-A

KELVIN

30	3000K
35	3500K
40	4000K
50	5000K
TW	Tunable White

NOMINAL LENGTH

23	23"
45	45"

VOLTAGE

MV	120-277V
347	347V

SOURCE

L	LED
---	-----

OPTIONS

AC#	Suspension Aircraft Cable #ft
BC#	Black Cab Tire Wire #ft
WC#	White Cab Tire Wire #ft
EM	Emergency Power Pack

LUMENS

Lumen Package*	Nom. Lumens	Wattage
23"		
20	2,000	16
40	4,000	34
45"		
40	4,000	27
60	6,000	42
80	8,000	56

FINISH

BLANK	White
BK	Texture Matte Black
AM	Antimicrobial White
MW	Texture Matte White

CRI

BLANK	80 CRI
9	90 CRI

CONTROLS
 Click on the following link for control options:
<https://bit.ly/2KzMuAx>

DRIVER
 BLANK Non-dimming applications
 DM 0-10V dimming
 DA DALI Driver
 Click on the following link for special driver options:
<https://bit.ly/2Fq26qU>

FEATURES

- > Architectural high-abuse surface or pendant-mounted wraparound LED luminaire with robust yet stylish construction
- > Cast aluminium end caps
- > UV-stabilized, high-impact extruded polycarbonate lens locked in place with tamper-resistant screws
- > Minimum 80 CRI; color range 3000K - 5000K available
- > Tunable White option available
- > Mounting accessories available for surface or suspended mounting
- > Multiple dimming protocols available
- > 100% made in Canada

APPLICATIONS

- > Rough service applications
- > Stairwells
- > Corridors
- > Locker rooms
- > Schools

*Other lumen packages available.

FIXTURE PERFORMANCE DATA

SPECIFICATIONS

Housing/Reflector – Precision die-formed 16-gauge C.R.S.

Shielding – UV-stabilized, high-impact extruded polycarbonate lens locked in place with aluminium casting end caps and tamper-resistant screws

Finish – Baked white enamel powder finish applied post production on all surfaces for smooth edges and safe handling

Electrical – High quality mid-power LED boards. L70 >72,000 hours reported / 129,200 calculated at maximum allowable output current. L85 >50,000 hours.

Mounting – Suspended or surface

Listings –
 ■ cUL certified as luminaire suitable for dry or damp locations.

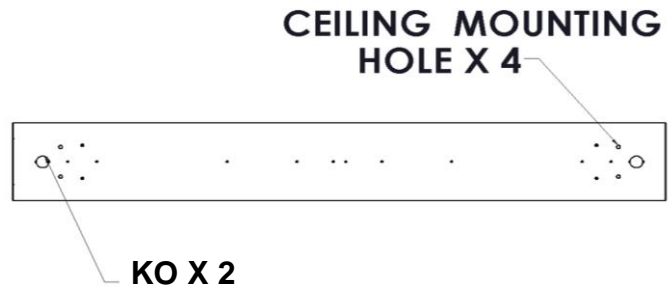
Warranty – 5-year limited warranty

LED PACKAGE	DELIVERED LUMENS	WATTAGE	EFFICACY (lm/W)
45"			
40	4,053	27	150
60	6,086	42	145
80	8,091	56	145

Results based on 4000K, 80 CRI

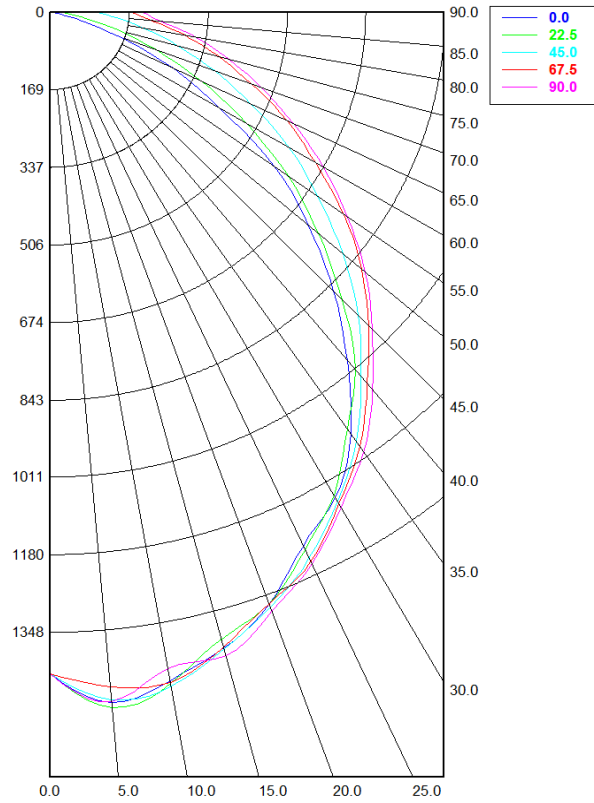
MULTIPLIER TABLE	
COLOR TEMPERATURE	
CCT/CRI	CONVERSION FACTOR
3000K / 80 CRI	0.95
3500K / 80 CRI	0.97
4000K / 80 CRI	1
5000K / 80 CRI	1.03

FIXTURE DETAILS



PHOTOMETRY

PUCS-A-45-L-40-40-MV Total Luminaire Output: 4,053 lumens; 27 Watts



Candela Distribution

	0.00°	22.50°	45.00°	67.50°	90.00°
0.00°	1,438.85	1,438.85	1,438.85	1,438.85	1,438.85
5.00°	1,505.44	1,516.64	1,500.08	1,471.20	1,503.88
10.00°	1,474.94	1,481.58	1,487.99	1,478.73	1,448.19
15.00°	1,430.83	1,410.86	1,432.63	1,428.54	1,447.96
20.00°	1,367.81	1,367.66	1,375.69	1,367.31	1,384.93
25.00°	1,278.42	1,287.54	1,309.43	1,318.03	1,323.87
30.00°	1,219.43	1,212.82	1,228.23	1,234.72	1,242.83
35.00°	1,120.03	1,106.41	1,140.40	1,153.68	1,168.17
40.00°	987.41	1,014.72	1,033.28	1,054.02	1,071.65
45.00°	857.28	882.54	931.68	961.73	972.20
50.00°	721.18	750.26	815.94	868.06	879.76
55.00°	583.29	618.15	699.69	767.08	775.66
60.00°	418.65	483.37	588.16	654.49	675.64
65.00°	288.47	357.38	472.92	557.07	571.73
70.00°	151.99	241.43	372.49	458.24	478.89
75.00°	56.16	143.93	279.95	370.18	393.73
80.00°	11.99	77.17	205.71	290.77	315.52
85.00°	2.08	36.96	142.70	217.74	239.29
90.00°	0.63	19.27	99.98	171.96	193.73

Spacing Criterion:

Two luminaires, plane 0°	1.25
Two luminaires, plane 90°	1.27
Four luminaires	1.35

Zonal Lumen Summary

Zone	Lumens	% Fixture
0.00° - 10.00°	150.49	3.71%
10.00° - 20.00°	401.47	9.90%
20.00° - 30.00°	598.77	14.77%
30.00° - 40.00°	707.27	17.45%
40.00° - 50.00°	709.36	17.50%
50.00° - 60.00°	614.97	15.17%
60.00° - 70.00°	449.95	11.10%
70.00° - 80.00°	273.98	6.76%
80.00° - 90.00°	147.10	3.63%
90.00° - 100.00°	26.61	0.66%
100.00° - 110.00°	0.00	0.00%
110.00° - 120.00°	0.00	0.00%
120.00° - 130.00°	0.00	0.00%
130.00° - 140.00°	0.00	0.00%
140.00° - 150.00°	0.00	0.00%
150.00° - 160.00°	0.00	0.00%
160.00° - 170.00°	0.00	0.00%
170.00° - 180.00°	0.00	0.00%
0.00° - 90.00°	4,053.36	100.00%
90.00° - 180.00°	26.61	0.66%
0.00° - 180.00°	4,053.36	100.00%

