

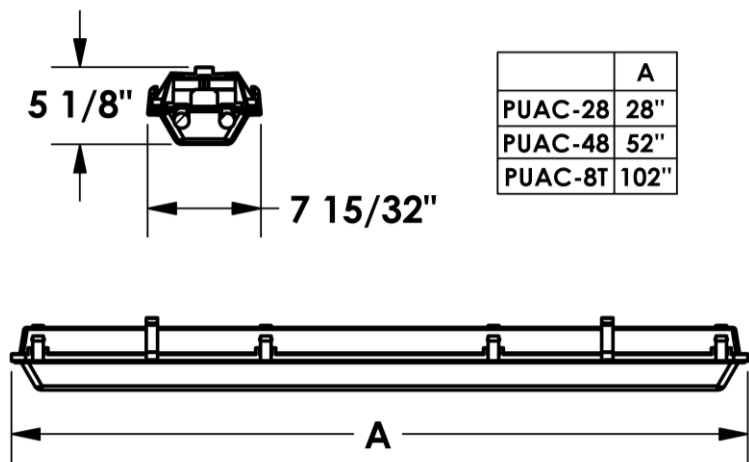
PROJECT:

NOTES:

ORDERING INFORMATION:

EXAMPLE PUAC-A - 48 - L - 83 - 9 - 50 - FRP - MV - BC10 - CLE3 - DM
 SERIES NOM. LENGTH SOURCE LUMENS CRI KELVINS LENS VOLTAGE OPTIONS CONTROLS DRIVER

SHOP DRAWINGS



ORDERING INFORMATION

SERIES	PUAC-A
--------	--------

KELVIN	30 3000K 35 3500K 40 4000K 50 5000K TW Tunable White
--------	--

NOMINAL LENGTH	28" 28" 48" 48" 96" 96"
----------------	-------------------------------

LENS	RA Clear Ribbed Acrylic FR Frosted Ribbed Acrylic FRP Frosted Ribbed Polycarbonate FCP Frosted CIRA polycarbonate FCA Frosted CIRA acrylic
------	--

SOURCE	L LED
--------	-------

LUMENS

VOLTAGE	MV 120-277V 347 347V
---------	-------------------------

OPTIONS	45D 45 Degree Brackets BC# Black Cab Tire Wire #ft SS Stainless Steel Latches CS# Chain Suspension Kit #ft CM Center Mount Option AC# Aircraft Suspension Kit #ft
---------	--

NOMINAL LENGTH	BLANK 80 CRI 9 90 CRI
----------------	--------------------------

CONTROLS
 Click on the following link for control options:
<https://bit.ly/2CSIXqa>

DRIVER
 BLANK Non-dimming applications
 DM 0-10V dimming
 DA DALI Driver
 Click on the following link for special driver options:
<https://bit.ly/2Fq26qU>

FEATURES

- > Robust luminaire built to withstand wet and harsh locations
- > Suitable for food processing and cold storage environments
- > Versatile fixture for indoor or outdoor, hot or cold, low mount or high mount applications
- > Luminaire 100% assembled with NSF listed components (housings, lenses, latches and brackets)
- > IP66/67
- > IK10 rated (with polycarbonate lens)
- > Durable construction and long-lasting electrical components
- > Variety of lenses available to optimize illumination characteristics appropriate to specific application
- > Efficacies up to 157 lm/W
- > Made in Canada

APPLICATIONS

- > Food Processing Facilities
- > Manufacturing Plants
- > Parking garages
- > Cold Storage
- > Industrial applications
- > Pulp and Paper Mills
- > Swimming Pool Complexes
- > Warehouses

LED

FIXTURE PERFORMANCE DATA

SPECIFICATIONS

Housing/Reflector – One-piece 5VA fiberglass housing with continuous poured-in-place, closed-cell gasket

Shielding – Variety of lenses available

Finish – White fiberglass housing suitable for outdoor use with respect to exposure to ultraviolet light, water exposure and immersion.

Electrical – High quality mid-power LED boards. L85 >50,000 hours.

Mounting – Suspended or surface

Listings –

- CSA certified as luminaire suitable for wet, dry or damp locations.
- cUL certified as luminaire suitable for dry or damp locations.
- DLC certified (consult factory for listing)
- IP65, IP66, IP67 rated.
- NEMA 4X and NSF compliant.

Warranty – 5-year limited warranty

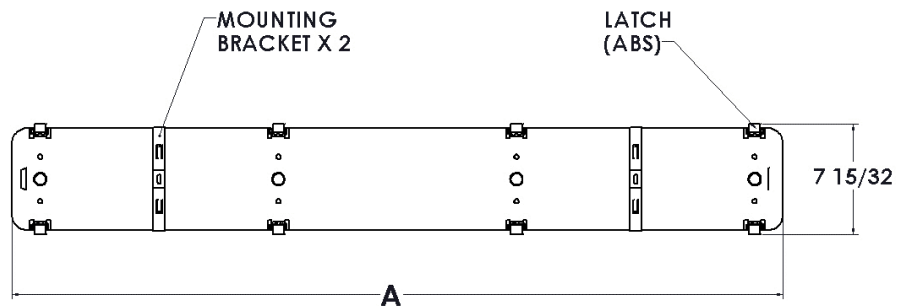
LED PACKAGE	DELIVERED LUMENS	WATTAGE	EFFICACY (lm/W)
48"			
40	4,056	31	131
83	8,853	60	148
96"			
100	9,955	79	126
160	15,992	102	157

*Tested in accordance with IESNA LM-79 (based on 25 degrees Celsius)

**Results based on 4000K, 80 CRI, Frosted Lens

MULTIPLIER TABLE	
COLOR TEMPERATURE	
CCT/CRI	CONVERSION FACTOR
3000K / 80 CRI	0.95
3500K / 80 CRI	0.97
4000K / 80 CRI	1
5000K / 80 CRI	1.03

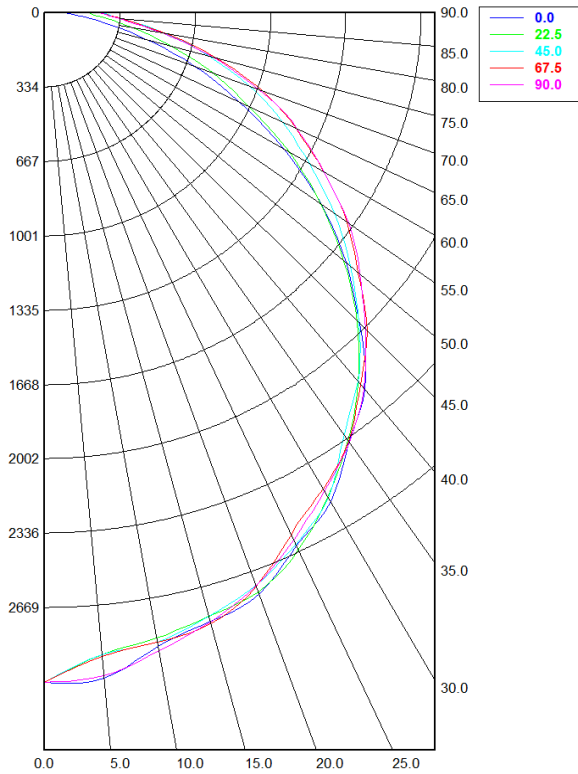
FIXTURE DETAILS



PHOTOMETRY

PUAC-A-L-83-40-MV-FR Total Luminaire Output: 8,853 lumens; 60 Watts

Candela Distribution



	0.00°	22.50°	45.00°	67.50°	90.00°
0.00°	3,721.14	3,721.14	3,721.14	3,721.14	3,721.14
5.00°	3,743.60	3,727.94	3,824.32	3,809.57	3,691.35
10.00°	3,718.52	3,694.80	3,744.70	3,716.49	3,801.27
15.00°	3,747.48	3,699.59	3,629.42	3,662.00	3,667.58
20.00°	3,665.75	3,621.14	3,601.02	3,595.77	3,580.25
25.00°	3,557.67	3,550.21	3,479.89	3,453.80	3,482.13
30.00°	3,406.94	3,409.64	3,410.06	3,345.79	3,330.47
35.00°	3,236.74	3,226.64	3,213.50	3,210.51	3,193.79
40.00°	3,035.14	3,025.28	3,034.51	2,984.70	2,989.20
45.00°	2,772.24	2,765.95	2,788.89	2,751.00	2,748.94
50.00°	2,483.49	2,489.45	2,501.25	2,518.83	2,488.21
55.00°	2,156.26	2,159.30	2,215.17	2,219.27	2,207.87
60.00°	1,810.27	1,850.03	1,886.98	1,926.40	1,953.02
65.00°	1,481.52	1,506.73	1,582.31	1,649.83	1,670.08
70.00°	1,104.51	1,157.61	1,255.59	1,361.87	1,368.18
75.00°	764.25	819.56	968.84	1,077.70	1,109.48
80.00°	446.34	532.19	694.37	826.82	863.78
85.00°	186.87	291.62	470.62	606.51	653.21
90.00°	59.38	169.90	340.26	468.12	505.76

Zonal Lumen Summary

Zone	Lumens	% Fixture
0.00° - 10.00°	379.82	3.11%
10.00° - 20.00°	1,037.20	8.50%
20.00° - 30.00°	1,613.08	13.22%
30.00° - 40.00°	2,005.92	16.44%
40.00° - 50.00°	2,127.94	17.44%
50.00° - 60.00°	1,957.43	16.05%
60.00° - 70.00°	1,554.62	12.74%
70.00° - 80.00°	1,008.80	8.27%
80.00° - 90.00°	513.34	4.21%
90.00° - 100.00°	86.38	0.71%
100.00° - 110.00°	0.00	0.00%
110.00° - 120.00°	0.00	0.00%
120.00° - 130.00°	0.00	0.00%
130.00° - 140.00°	0.00	0.00%
140.00° - 150.00°	0.00	0.00%
150.00° - 160.00°	0.00	0.00%
160.00° - 170.00°	0.00	0.00%
170.00° - 180.00°	0.00	0.00%
0.00° - 90.00°	12,198.14	100.00%
90.00° - 180.00°	86.38	0.71%
0.00° - 180.00°	12,198.14	100.00%

Spacing Criterion:

Two luminaires, plane 0°	1.35
Two luminaires, plane 90°	1.32
Four luminaires	1.45