

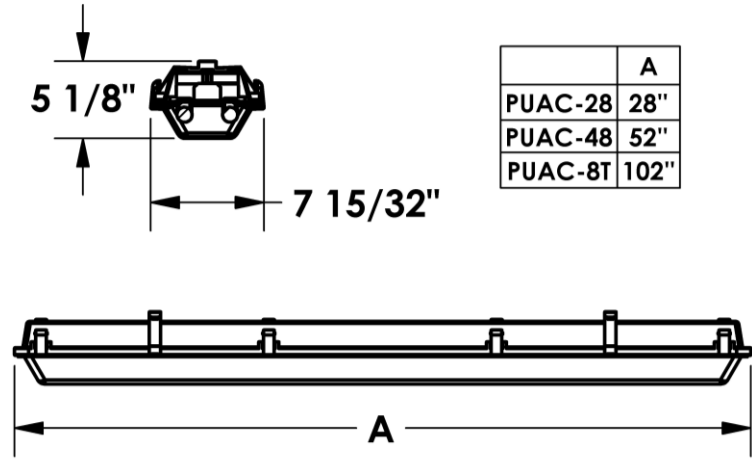
PROJECT:

NOTES:

ORDERING INFORMATION:

**EXAMPLE** PUAC-A - 48 - L - 83 - 9 - 50 - FR - MV - BC10 - CLE3 - DM  
 SERIES NOM. LENGTH SOURCE LUMENS CRI KELVINS LENS VOLTAGE OPTIONS CONTROLS DRIVER

SHOP DRAWINGS



ORDERING INFORMATION

**SERIES**

PUAC-A
--------

**KELVIN**

30	3000K
35	3500K
40	4000K
50	5000K
TW	Tunable White

**NOMINAL LENGTH**

28	28"
48	48"
96	96"

**LENS**

RA	Clear Ribbed Acrylic
RP	Clear Ribbed Polycarbonate
CA	Clear Smooth Acrylic
FR	Frosted Ribbed Acrylic
FCP	Frosted Smooth Polycarbonate
FCA	Frosted Smooth Acrylic

**SOURCE**

L	LED
---	-----

LUMENS

Lumen Package*	Nom. Lumens	Wattage
<b>28"</b>		
10	1,000	9
30	3,000	27
<b>48"</b>		
19	1,900	17
40	4,000	31
83	8,300	60
<b>96"</b>		
100	10,000	79
160	16,000	102

\*Other lumen packages available.

**NOMINAL LENGTH**

BLANK	80 CRI
9	90 CRI

**VOLTAGE**

MV	120-277V
347	347V

**OPTIONS**

45D	45 Degree Brackets
BC#	Black Cab Tire Wire #ft
SS	Stainless Steel Latches
CS#	Chain Suspension Kit #ft
CM	Center Mount Option
AC#	Aircraft Suspension Kit #ft
EM	Emergency Powerpack
MB*	Mounting Bracket for Threaded Rods

\*Threaded rods not supplied by Pa-Co

**CONTROLS**  
 Click on the following link for control options:  
<https://bit.ly/2C5IXqe>

**DRIVER**  
 BLANK Non-dimming applications  
 DM 0-10V dimming  
 DA DALI Driver  
 Click on the following link for special driver options:  
<https://bit.ly/2Fq26qU>

FEATURES

- > Robust luminaire built to withstand wet and harsh locations
- > Suitable for food processing and cold storage environments
- > Versatile fixture for indoor or outdoor, hot or cold, low mount or high mount applications
- > Luminaire 100% assembled with NSF listed components ( housings, lenses, latches and brackets)
- > IP66/67
- > IK10 rated (with polycarbonate lens)
- > Durable construction and long-lasting electrical components
- > Variety of lenses available to optimize illumination characteristics appropriate to specific application
- > Efficacies up to 157 lm/W
- > Made in Canada

APPLICATIONS

- > Food Processing Facilities
- > Manufacturing Plants
- > Parking garages
- > Cold Storage
- > Industrial applications
- > Pulp and Paper Mills
- > Swimming Pool Complexes
- > Warehouses

LED

FIXTURE PERFORMANCE DATA

SPECIFICATIONS

**Housing/Reflector** – One-piece 5VA fiberglass housing with continuous poured-in-place, closed-cell gasket

**Shielding** – Variety of lenses available

**Finish** – White fiberglass housing suitable for outdoor use with respect to exposure to ultraviolet light, water exposure and immersion.

**Electrical** – High quality mid-power LED boards. L85 >50,000 hours.

**Mounting** – Suspended or surface

**Listings** –

- CSA certified as luminaire suitable for wet, dry or damp locations.
- cUL certified as luminaire suitable for dry or damp locations.
- IP65, IP66, IP67 rated.
- NEMA 4X and NSF compliant.

**Warranty** – 5-year limited warranty

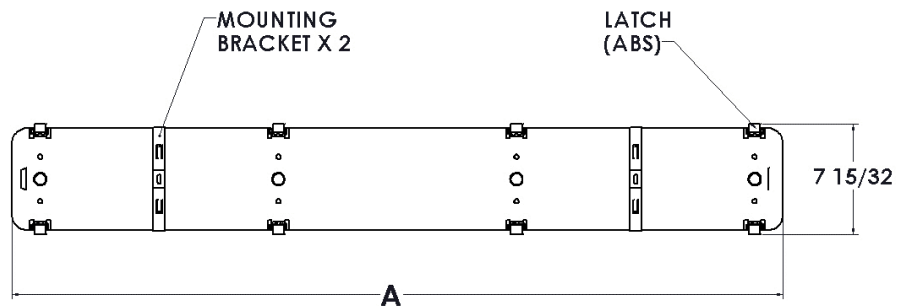
LED PACKAGE	DELIVERED LUMENS	WATTAGE	EFFICACY (lm/W)
48"			
40	4,056	31	131
83	8,853	60	148
96"			
100	9,955	79	126
160	15,992	102	157

\*Tested in accordance with IESNA LM-79 (based on 25 degrees Celsius)

\*\*Results based on 4000K, 80 CRI, Frosted Lens

MULTIPLIER TABLE	
COLOR TEMPERATURE	
CCT/CRI	CONVERSION FACTOR
3000K / 80 CRI	0.95
3500K / 80 CRI	0.97
4000K / 80 CRI	1
5000K / 80 CRI	1.03

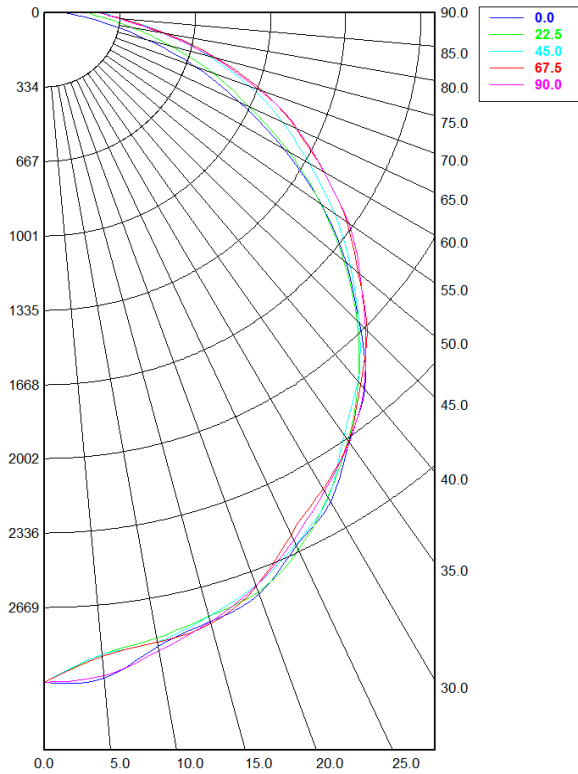
FIXTURE DETAILS



PHOTOMETRY

PUAC-A-L-83-40-MV-FR Total Luminaire Output: 8,853 lumens; 60 Watts

**Candela Distribution**



	0.00°	22.50°	45.00°	67.50°	90.00°
0.00°	3,721.14	3,721.14	3,721.14	3,721.14	3,721.14
5.00°	3,743.60	3,727.94	<b>3,824.32</b>	3,809.57	3,691.35
10.00°	3,718.52	3,694.80	3,744.70	3,716.49	3,801.27
15.00°	3,747.48	3,699.59	3,629.42	3,662.00	3,667.58
20.00°	3,665.75	3,621.14	3,601.02	3,595.77	3,580.25
25.00°	3,557.67	3,550.21	3,479.89	3,453.80	3,482.13
30.00°	3,406.94	3,409.64	3,410.06	3,345.79	3,330.47
35.00°	3,236.74	3,226.64	3,213.50	3,210.51	3,193.79
40.00°	3,035.14	3,025.28	3,034.51	2,984.70	2,989.20
45.00°	2,772.24	2,765.95	2,788.89	2,751.00	2,748.94
50.00°	2,483.49	2,489.45	2,501.25	2,518.83	2,488.21
55.00°	2,156.26	2,159.30	2,215.17	2,219.27	2,207.87
60.00°	1,810.27	1,850.03	1,886.98	1,926.40	1,953.02
65.00°	1,481.52	1,506.73	1,582.31	1,649.83	1,670.08
70.00°	1,104.51	1,157.61	1,255.59	1,361.87	1,368.18
75.00°	764.25	819.56	968.84	1,077.70	1,109.48
80.00°	446.34	532.19	694.37	826.82	863.78
85.00°	186.87	291.62	470.62	606.51	653.21
90.00°	59.38	169.90	340.26	468.12	505.76

**Zonal Lumen Summary**

Zone	Lumens	% Fixture
0.00° - 10.00°	379.82	3.11%
10.00° - 20.00°	1,037.20	8.50%
20.00° - 30.00°	1,613.08	13.22%
30.00° - 40.00°	2,005.92	16.44%
40.00° - 50.00°	2,127.94	17.44%
50.00° - 60.00°	1,957.43	16.05%
60.00° - 70.00°	1,554.62	12.74%
70.00° - 80.00°	1,008.80	8.27%
80.00° - 90.00°	513.34	4.21%
90.00° - 100.00°	86.38	0.71%
100.00° - 110.00°	0.00	0.00%
110.00° - 120.00°	0.00	0.00%
120.00° - 130.00°	0.00	0.00%
130.00° - 140.00°	0.00	0.00%
140.00° - 150.00°	0.00	0.00%
150.00° - 160.00°	0.00	0.00%
160.00° - 170.00°	0.00	0.00%
170.00° - 180.00°	0.00	0.00%
0.00° - 90.00°	12,198.14	100.00%
90.00° - 180.00°	86.38	0.71%
0.00° - 180.00°	12,198.14	100.00%

**Spacing Criterion:**

Two luminaires, plane 0°	1.35
Two luminaires, plane 90°	1.32
Four luminaires	1.45