

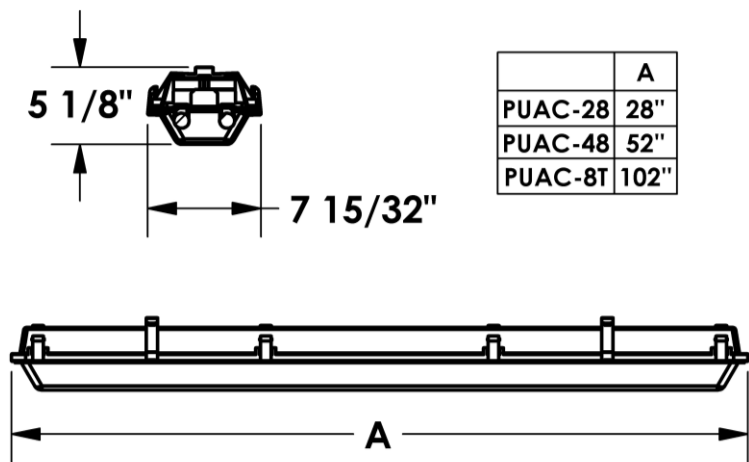
PROJECT:

NOTES:

ORDERING INFORMATION:

EXAMPLE PUAC-A - 48 - L - 83 - 9 - 50 - FR - MV - BC10 - CLE3 - DM
SERIES NOM. LENGTH SOURCE LUMENS CRI KELVINS LENS VOLTAGE OPTIONS CONTROLS DRIVER

SHOP DRAWINGS



ORDERING INFORMATION

SERIES
PUAC-A

KELVIN
 30 3000K
 35 3500K
 40 4000K
 50 5000K
 TW Tunable White

NOMINAL LENGTH
 28 28"
 48 48"
 96 96"

LENS
 RA Clear Ribbed Acrylic
 RP Clear Ribbed Polycarbonate
 CA Clear Smooth Acrylic
 FR Frosted Ribbed Acrylic
 FCP Frosted Smooth Polycarbonate
 FCA Frosted Smooth Acrylic

SOURCE
L LED

LUMENS

VOLTAGE
 MV 120-277V
 347 347V

Lumen Package*	Nom. Lumens	Wattage
48"		
19	1,900	17
40	4,000	31
83	8,300	60
96"		
100	10,000	79
160	16,000	102

OPTIONS
 45D 45 Degree Brackets
 BC# Black Cab Tire Wire #ft
 SS Stainless Steel Latches
 CS# Chain Suspension Kit #ft
 CM Center Mount Option
 AC# Aircraft Suspension Kit #ft
 EM Emergency Powerpack
 MB* Mounting Bracket for Threaded Rods
 *Threaded rods not supplied by Pa-Co

NOMINAL LENGTH
 BLANK 80 CRI
 9 90 CRI

CONTROLS
 Click on the following link for control options:
<https://bit.ly/2C5IXqe>

DRIVER
 BLANK Non-dimming applications
 DM 0-10V dimming
 DA DALI Driver
 Click on the following link for special driver options:
<https://bit.ly/2Fq26qU>

FEATURES

- > Robust luminaire built to withstand wet and harsh locations
- > Suitable for food processing and cold storage environments
- > Versatile fixture for indoor or outdoor, hot or cold, low mount or high mount applications
- > Luminaire 100% assembled with NSF listed components (housings, lenses, latches and brackets)
- > IP66/67
- > IK10 rated (with polycarbonate lens)
- > Durable construction and long-lasting electrical components
- > Variety of lenses available to optimize illumination characteristics appropriate to specific application
- > Efficacies up to 157 lm/W
- > Made in Canada

APPLICATIONS

- > Food Processing Facilities
- > Manufacturing Plants
- > Parking garages
- > Cold Storage
- > Industrial applications
- > Pulp and Paper Mills
- > Swimming Pool Complexes
- > Warehouses

LED

FIXTURE PERFORMANCE DATA

SPECIFICATIONS

Housing/Reflector – One-piece 5VA fiberglass housing with continuous poured-in-place, closed-cell gasket

Shielding – Variety of lenses available

Finish – White fiberglass housing suitable for outdoor use with respect to exposure to ultraviolet light, water exposure and immersion.

Electrical – High quality mid-power LED boards. L85 >50,000 hours.

Mounting – Suspended or surface

Listings –

- CSA certified as luminaire suitable for wet, dry or damp locations.
- cUL certified as luminaire suitable for dry or damp locations.
- DLC certified (consult factory for listing)
- IP65, IP66, IP67 rated.
- NEMA 4X and NSF compliant.

Warranty – 5-year limited warranty

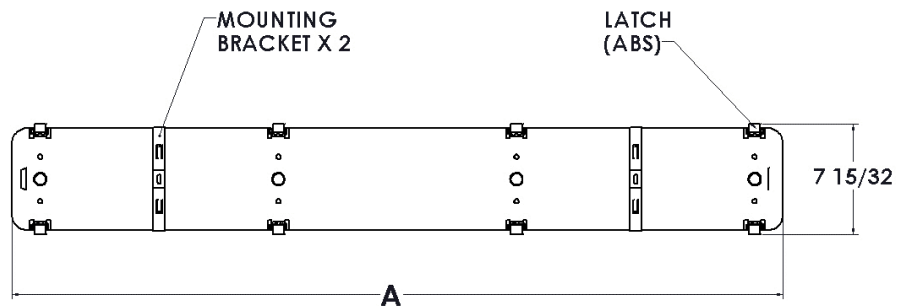
LED PACKAGE	DELIVERED LUMENS	WATTAGE	EFFICACY (lm/W)
48"			
40	4,056	31	131
83	8,853	60	148
96"			
100	9,955	79	126
160	15,992	102	157

*Tested in accordance with IESNA LM-79 (based on 25 degrees Celsius)

**Results based on 4000K, 80 CRI, Frosted Lens

MULTIPLIER TABLE	
COLOR TEMPERATURE	
CCT/CRI	CONVERSION FACTOR
3000K / 80 CRI	0.95
3500K / 80 CRI	0.97
4000K / 80 CRI	1
5000K / 80 CRI	1.03

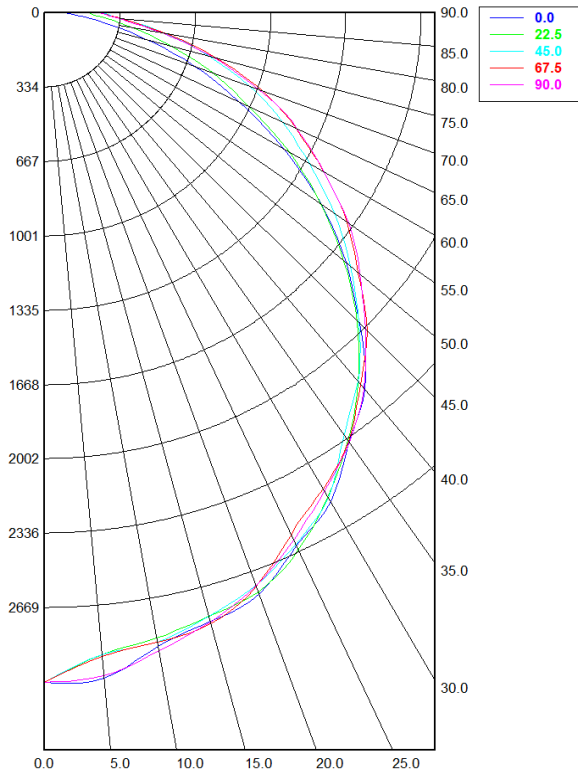
FIXTURE DETAILS



PHOTOMETRY

PUAC-A-L-83-40-MV-FR Total Luminaire Output: 8,853 lumens; 60 Watts

Candela Distribution



	0.00°	22.50°	45.00°	67.50°	90.00°
0.00°	3,721.14	3,721.14	3,721.14	3,721.14	3,721.14
5.00°	3,743.60	3,727.94	3,824.32	3,809.57	3,691.35
10.00°	3,718.52	3,694.80	3,744.70	3,716.49	3,801.27
15.00°	3,747.48	3,699.59	3,629.42	3,662.00	3,667.58
20.00°	3,665.75	3,621.14	3,601.02	3,595.77	3,580.25
25.00°	3,557.67	3,550.21	3,479.89	3,453.80	3,482.13
30.00°	3,406.94	3,409.64	3,410.06	3,345.79	3,330.47
35.00°	3,236.74	3,226.64	3,213.50	3,210.51	3,193.79
40.00°	3,035.14	3,025.28	3,034.51	2,984.70	2,989.20
45.00°	2,772.24	2,765.95	2,788.89	2,751.00	2,748.94
50.00°	2,483.49	2,489.45	2,501.25	2,518.83	2,488.21
55.00°	2,156.26	2,159.30	2,215.17	2,219.27	2,207.87
60.00°	1,810.27	1,850.03	1,886.98	1,926.40	1,953.02
65.00°	1,481.52	1,506.73	1,582.31	1,649.83	1,670.08
70.00°	1,104.51	1,157.61	1,255.59	1,361.87	1,368.18
75.00°	764.25	819.56	968.84	1,077.70	1,109.48
80.00°	446.34	532.19	694.37	826.82	863.78
85.00°	186.87	291.62	470.62	606.51	653.21
90.00°	59.38	169.90	340.26	468.12	505.76

Zonal Lumen Summary

Zone	Lumens	% Fixture
0.00° - 10.00°	379.82	3.11%
10.00° - 20.00°	1,037.20	8.50%
20.00° - 30.00°	1,613.08	13.22%
30.00° - 40.00°	2,005.92	16.44%
40.00° - 50.00°	2,127.94	17.44%
50.00° - 60.00°	1,957.43	16.05%
60.00° - 70.00°	1,554.62	12.74%
70.00° - 80.00°	1,008.80	8.27%
80.00° - 90.00°	513.34	4.21%
90.00° - 100.00°	86.38	0.71%
100.00° - 110.00°	0.00	0.00%
110.00° - 120.00°	0.00	0.00%
120.00° - 130.00°	0.00	0.00%
130.00° - 140.00°	0.00	0.00%
140.00° - 150.00°	0.00	0.00%
150.00° - 160.00°	0.00	0.00%
160.00° - 170.00°	0.00	0.00%
170.00° - 180.00°	0.00	0.00%
0.00° - 90.00°	12,198.14	100.00%
90.00° - 180.00°	86.38	0.71%
0.00° - 180.00°	12,198.14	100.00%

Spacing Criterion:

Two luminaires, plane 0°	1.35
Two luminaires, plane 90°	1.32
Four luminaires	1.45