

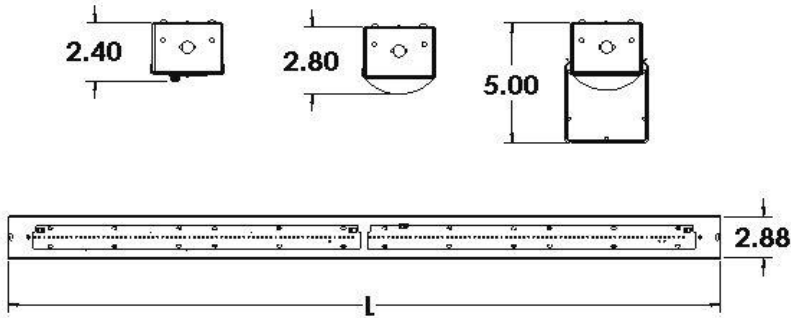
PROJECT:

NOTES:

ORDERING INFORMATION:

**EXAMPLE** PSPE - 45 - L - 40 - 9 - 40 - H5 - MV - WG - CLE1 - DM  
 SERIES      NOM. LENGTH      SOURCE      LUMENS      CRI      KELVINS      LENS      VOLTAGE      OPTIONS      CONTROLS      DRIVER

## SHOP DRAWINGS



## ORDERING INFORMATION

## SERIES

PSPE

## KELVIN

30      3000K  
 35      3500K  
 40      4000K  
 50      5000K  
 TW      Tunable White

## NOMINAL LENGTH

24      24"  
 36      36"  
 45      45"  
 90      90"

\*48" and 96" also available on demand

## LENS

H5      White Opal Acrylic  
 BLANK      No lens

## SOURCE

L      LED

## VOLTAGE

MV      120-277V  
 347      347V

## LUMENS

Lumen Package	Nom. Lumens	Wattage
<b>24"</b>		
20	2,000	14
<b>36"</b>		
30	3,000	26
<b>45"</b>		
40	4,000	28
50	5,000	35
80	8,000	57
100	10,000	74
<b>90"</b>		
120	10,000	82
160	16,000	113
200	20,000	145

\*Other lumen packages available

## OPTIONS

WG      Wireguard  
 AC#      Suspension Aircraft Cable #ft  
 WC#      White Cab Tire Wire #ft  
 EM      Emergency Power Pack

## CONTROLS

Click on the following link for control options:

<https://bit.ly/2C5lXqa>

## DRIVER

BLANK      Non-dimming applications  
 DM      0-10V dimming  
 DA      DALI driver

Click on the following link for special driver options:

<https://bit.ly/2FaZ6qU>

## CRI

BLANK      80 CRI  
 9      90 CRI

## FEATURES

- > High-quality LED strip luminaire delivering uniform illumination
- > Compact design for easy installation in tight spaces
- > Surface or suspension mountable
- > Continuous raceway and row-mounting capability
- > Minimum 80 CRI; color range 3000K - 5000K available
- > Tunable White option available
- > Multiple dimming protocols available
- > Energy-saving occupancy sensor option available
- > Efficacies up to 149 lm/W
- > 100% made in Canada

## APPLICATIONS

- > Stairwells
- > Corridors
- > Retail Shelving
- > Industrial Racks
- > Coves
- > Locker rooms
- > Task Lighting

LED

FIXTURE PERFORMANCE DATA

SPECIFICATIONS

**Housing/Reflector** – Precision die-formed 22-gauge C.R.S.

**Shielding** – White opal lens

**Finish** – Baked white enamel powder finish applied post production on all surfaces for smooth edges and safe handling.

**Electrical** – High quality mid-power LED boards. L85 >50,000 hours

**Mounting** – Suspended or Surface

**Listings** –

■ CSA certified as luminaire suitable for dry or damp locations.

■ cUL certified as luminaire suitable for dry or damp locations.

**Warranty** – 5-year limited warranty

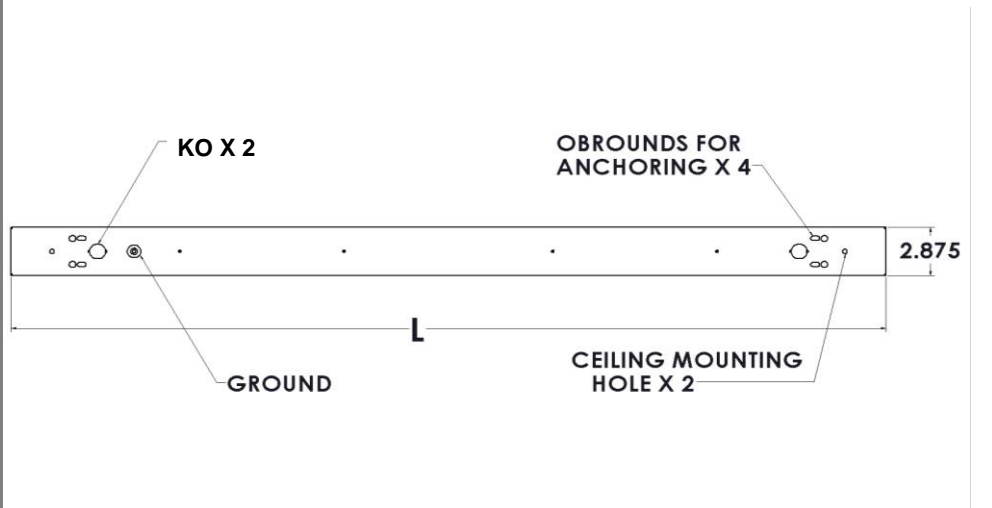
LED PACKAGE	DELIVERED LUMENS	WATTAGE	EFFICACY (lm/W)
24"			
20	2,064	14	147
36"			
30	3,057	26	118
45"			
40	4,064	28	145
50	5,090	35	145
80	8,128	57	145
100	10,173	74	140
90"			
120	12,198	82	149
160	16,255	113	144
200	20,325	145	140

\*Tested in accordance with IESNA LM-79 (based on 25 degrees Celsius)

\*\*Results based on 4000K, 80 CRI, Lens (H0)

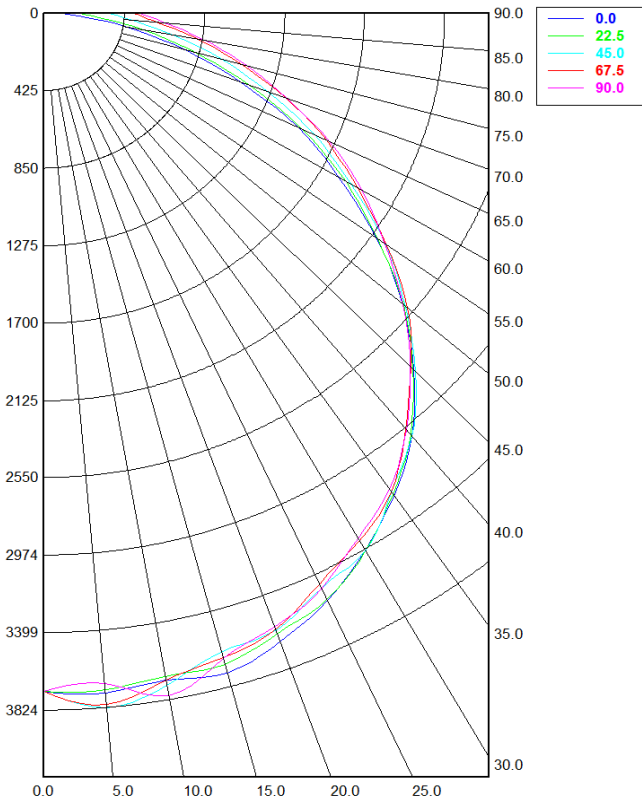
MULTIPLIER TABLE	
COLOR TEMPERATURE	
CCT/CRI	CONVERSION FACTOR
3000K / 80 CRI	0.95
3500K / 80 CRI	0.97
4000K / 80 CRI	1
5000K / 80 CRI	1.03

FIXTURE DETAILS



**PHOTOMETRY**

PSPE-96-L-120-40-H5-MV Total Luminaire Output: 12,198 lumens; 82 Watts



**Candela Distribution**

	0.00°	22.50°	45.00°	67.50°	90.00°
0.00°	3,721.14	3,721.14	3,721.14	3,721.14	3,721.14
5.00°	3,743.60	3,727.94	3,824.32	3,809.57	3,691.35
10.00°	3,718.52	3,694.80	3,744.70	3,716.49	3,801.27
15.00°	3,747.48	3,699.59	3,629.42	3,662.00	3,667.58
20.00°	3,665.75	3,621.14	3,601.02	3,595.77	3,580.25
25.00°	3,557.67	3,550.21	3,479.89	3,453.80	3,482.13
30.00°	3,406.94	3,409.64	3,410.06	3,345.79	3,330.47
35.00°	3,236.74	3,226.64	3,213.50	3,210.51	3,193.79
40.00°	3,035.14	3,025.28	3,034.51	2,984.70	2,989.20
45.00°	2,772.24	2,765.95	2,788.89	2,751.00	2,748.94
50.00°	2,483.49	2,489.45	2,501.25	2,518.83	2,488.21
55.00°	2,156.26	2,159.30	2,215.17	2,219.27	2,207.87
60.00°	1,810.27	1,850.03	1,886.98	1,926.40	1,953.02
65.00°	1,481.52	1,506.73	1,582.31	1,649.83	1,670.08
70.00°	1,104.51	1,157.61	1,255.59	1,361.87	1,368.18
75.00°	764.25	819.56	968.84	1,077.70	1,109.48
80.00°	446.34	532.19	694.37	826.82	863.78
85.00°	186.87	291.62	470.62	606.51	653.21
90.00°	59.38	169.90	340.26	468.12	505.76

**Spacing Criterion:**

Two luminaires, plane 0°	1.35
Two luminaires, plane 90°	1.32
Four luminaires	1.45

**Zonal Lumen Summary**

Zone	Lumens	% Fixture
0.00° - 10.00°	379.82	3.11%
10.00° - 20.00°	1,037.20	8.50%
20.00° - 30.00°	1,613.08	13.22%
30.00° - 40.00°	2,005.92	16.44%
40.00° - 50.00°	2,127.94	17.44%
50.00° - 60.00°	1,957.43	16.05%
60.00° - 70.00°	1,554.62	12.74%
70.00° - 80.00°	1,008.80	8.27%
80.00° - 90.00°	513.34	4.21%
90.00° - 100.00°	86.38	0.71%
100.00° - 110.00°	0.00	0.00%
110.00° - 120.00°	0.00	0.00%
120.00° - 130.00°	0.00	0.00%
130.00° - 140.00°	0.00	0.00%
140.00° - 150.00°	0.00	0.00%
150.00° - 160.00°	0.00	0.00%
160.00° - 170.00°	0.00	0.00%
170.00° - 180.00°	0.00	0.00%
0.00° - 90.00°	12,198.14	100.00%
90.00° - 180.00°	86.38	0.71%
0.00° - 180.00°	12,198.14	100.00%

