

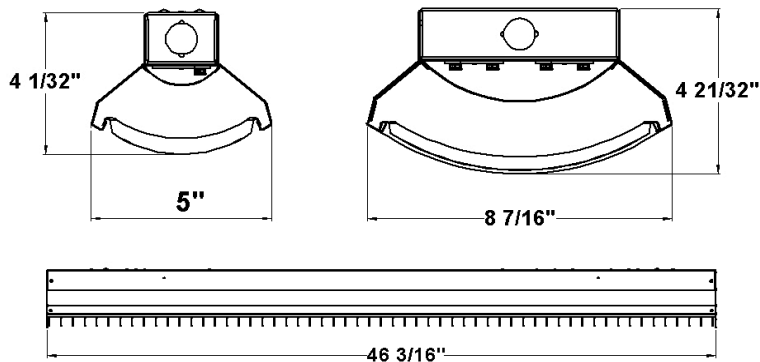
PROJECT:

NOTES:

ORDERING INFORMATION:

EXAMPLE PSBL - W - 46 - L - 60 - 9 - 40 - MV - WC6 - CN3 - DM
 SERIES WIDTH NOM. LENGTH SOURCE LUMENS CRI KELVINS VOLTAGE OPTIONS CONTROLS DRIVER

SHOP DRAWINGS

MADE IN CANADA
FAIT AU CANADA

ORDERING INFORMATION

SERIES

PSBL

WIDTH

N 5" wide
 W 8 7/16" wide

NOMINAL LENGTH

46 46"
 92 92"

SOURCE

L LED

LUMENS

Lumen Package*	Nom. Lumens	Wattage
46"		
40	4,000	30
60	6,000	45
80	8,000	72
92"		
80	8,000	58
120	12,000	97

*Other lumen packages available.

CRI

BLANK 80 CRI
 9 90 CRI

KELVIN

30 3000K
 35 3500K
 40 4000K
 50 5000K
 TW Tunable White

LENS

H5 White Opal Acrylic

VOLTAGE

MV 120-277V
 347 347V

OPTIONS

BC# Black Cabtire Wire #ft
 AC# Suspension Aircraft Cable #ft
 WC# White Cabtire Wire #ft
 EM Emergency Power Pack
 UP Uplight (approx. 10%)

CONTROLS

Click on the following link for control options:

<https://bit.ly/2C5IXqa>

DRIVER

BLANK Non-dimming applications
 DM 0-10V dimming
 DA DALI Driver

Click on the following link for special driver options:

<https://bit.ly/2FqZ6qU>

FEATURES

- > Specification grade surface or pendant luminaire
- > Suitable for row mounting
- > Basket-shaped with integrated metal crossblade baffle
- > Surface, stem or suspended mounting
- > Minimum 80 CRI; color range 3000K - 5000K available
- > Tunable White option available
- > Multiple dimming protocols available
- > Energy-saving occupancy sensor option available
- > Efficacies up to 137 lm/W
- > 100% made in Canada

APPLICATIONS

- > Boardrooms
- > Corridors
- > Retail Stores
- > Office Areas
- > Studio Lofts

FIXTURE PERFORMANCE DATA

SPECIFICATIONS

Housing/Reflector – Precision die-formed 22-gauge C.R.S.

Finish – Baked white enamel powder finish applied post production on all surfaces for smooth edges and safe handling.

Electrical – High quality mid-power LED boards. L70 >72,000 hours reported / 129,200 hours calculated at maximum allowable output current. L85 >50,000 hours.

Mounting – Suspended or Surface

Listings –

■ cUL certified as luminaire suitable for dry or damp locations.

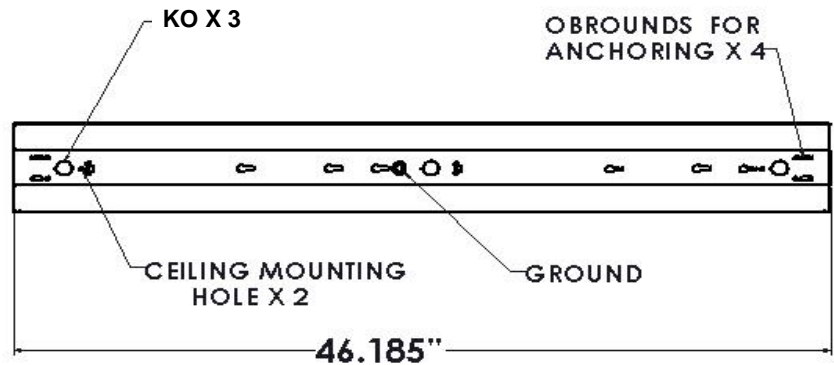
Warranty – 5-year limited warranty

LED PACKAGE	DELIVERED LUMENS	WATTAGE	EFFICACY (lm/W)
46"			
40	3,967	30	132
60	5,950	45	132
92"			
80	7,934	58	137
120	12,208	97	126

*Results based on 4000K, 80 CRI, H5 Lens

MULTIPLIER TABLE	
COLOR TEMPERATURE	
CCT/CRI	CONVERSION FACTOR
3000K / 80 CRI	0.95
3500K / 80 CRI	0.97
4000K / 80 CRI	1
5000K / 80 CRI	1.03

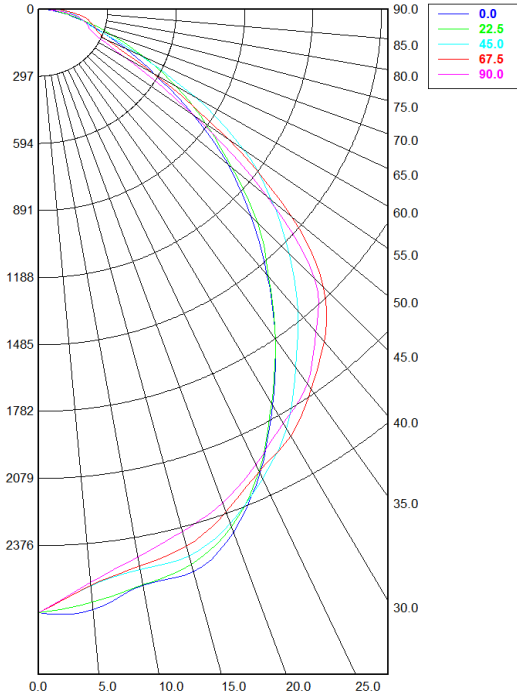
FIXTURE DETAILS



PHOTOMETRY

PSBL-N-46-L-60-40-H5-MV Total Luminaire Output: 5,950 lumens; 45 Watts

Candela Distribution



	0.00°	22.50°	45.00°	67.50°	90.00°
0.00°	2,672.73	2,672.73	2,672.73	2,672.73	2,672.73
5.00°	2,669.35	2,635.73	2,564.59	2,562.33	2,547.53
10.00°	2,589.52	2,589.01	2,519.22	2,503.26	2,463.68
15.00°	2,579.17	2,545.18	2,505.70	2,461.93	2,394.62
20.00°	2,461.43	2,436.62	2,421.25	2,368.58	2,325.93
25.00°	2,263.80	2,254.43	2,291.99	2,257.76	2,224.17
30.00°	2,028.10	2,017.12	2,147.69	2,184.18	2,118.46
35.00°	1,789.81	1,788.63	1,939.98	2,056.22	2,027.85
40.00°	1,541.32	1,552.45	1,747.00	1,923.53	1,868.31
45.00°	1,295.92	1,338.08	1,536.35	1,745.50	1,691.53
50.00°	1,063.90	1,088.48	1,318.64	1,432.68	1,292.61
55.00°	811.24	880.24	1,078.27	986.24	813.19
60.00°	580.80	688.29	779.02	581.25	435.76
65.00°	412.60	495.06	479.09	327.13	266.52
70.00°	278.72	336.48	273.13	266.10	228.11
75.00°	187.64	200.20	193.69	232.33	200.40
80.00°	104.10	119.13	161.17	196.07	149.01
85.00°	44.33	64.73	115.36	126.56	66.49
90.00°	11.99	39.43	81.16	82.63	19.30

Spacing Criterion:

Two luminaires, plane 0°	1.13
Two luminaires, plane 90°	1.18
Four luminaires	1.28

Zonal Lumen Summary

Zone	Lumens	% Fixture
0.00° - 10.00°	260.47	4.38%
10.00° - 20.00°	700.72	11.78%
20.00° - 30.00°	1,037.99	17.44%
30.00° - 40.00°	1,198.37	20.14%
40.00° - 50.00°	1,160.90	19.51%
50.00° - 60.00°	836.83	14.06%
60.00° - 70.00°	428.20	7.20%
70.00° - 80.00°	221.95	3.73%
80.00° - 90.00°	105.11	1.77%
90.00° - 100.00°	15.00	0.25%
100.00° - 110.00°	0.00	0.00%
110.00° - 120.00°	0.00	0.00%
120.00° - 130.00°	0.00	0.00%
130.00° - 140.00°	0.00	0.00%
140.00° - 150.00°	0.00	0.00%
150.00° - 160.00°	0.00	0.00%
160.00° - 170.00°	0.00	0.00%
170.00° - 180.00°	0.00	0.00%
0.00° - 90.00°	5,950.53	100.00%
90.00° - 180.00°	15.00	0.25%
0.00° - 180.00°	5,950.53	100.00%