

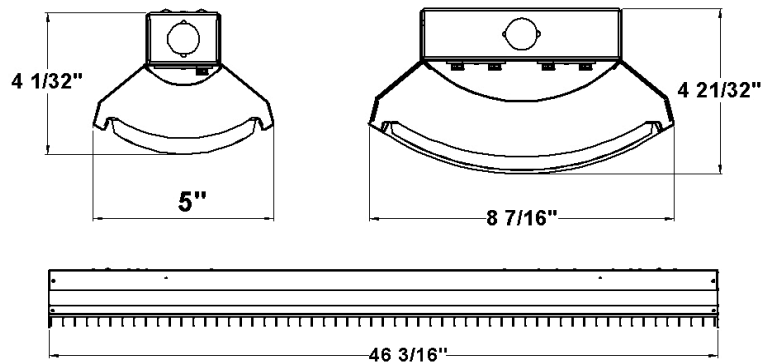
PROJECT:

NOTES:

ORDERING INFORMATION:

EXAMPLE PSBL - W - 46 - L - 60 - 9 - 40 - MV - MV - WC6 - CN3 - DM
 SERIES WIDTH NOM. LENGTH SOURCE LUMENS CRI KELVINS VOLTAGE VOLTAGE OPTIONS CONTROLS DRIVER

SHOP DRAWINGS



MADE IN CANADA
FAIT AU CANADA

ORDERING INFORMATION

SERIES
PSBL

KELVIN
 30 3000K
 35 3500K
 40 4000K
 50 5000K
 TW Tunable White

WIDTH
 N 5" wide
 W 8 7/16" wide

NOMINAL LENGTH
 46 46"
 92 92"

LENS
H5 White Opal Acrylic

SOURCE
L LED

VOLTAGE
 MV 120-277V
 347 347V

LUMENS

OPTIONS
 BC# Black Cabtire Wire #ft
 AC# Suspension Aircraft Cable #ft
 WC# White Cabtire Wire #ft
 EM Emergency Power Pack
 UP Uplight (approx. 10%)

Lumen Package*	Nom. Lumens	Wattage
46"		
40	4,000	30
60	6,000	45
80	8,000	72
92"		
80	8,000	58
120	12,000	97

*Other lumen packages available.

CRI
 BLANK 80 CRI
 9 90 CRI

CONTROLS
 Click on the following link for control options:
<https://bit.ly/2C5IXqa>

DRIVER
 BLANK Non-dimming applications
 DM 0-10V dimming
 DA DALI Driver
 Click on the following link for special driver options:
<https://bit.ly/2FqZ6qU>

FEATURES

- > Specification grade surface or pendant luminaire
- > Suitable for row mounting
- > Basket-shaped with integrated metal crossblade baffle
- > Surface, stem or suspended mounting
- > Minimum 80 CRI; color range 3000K - 5000K available
- > Tunable White option available
- > Multiple dimming protocols available
- > Energy-saving occupancy sensor option available
- > Efficacies up to 137 lm/W
- > 100% made in Canada

APPLICATIONS

- > Boardrooms
- > Corridors
- > Retail Stores
- > Office Areas
- > Studio Lofts

FIXTURE PERFORMANCE DATA

SPECIFICATIONS

Housing/Reflector – Precision die-formed 22-gauge C.R.S.

Finish – Baked white enamel powder finish applied post production on all surfaces for smooth edges and safe handling.

Electrical – High quality mid-power LED boards. L70 >72,000 hours reported / 129,200 hours calculated at maximum allowable output current. L85 >50,000 hours.

Mounting – Suspended or Surface

Listings –

■ cUL certified as luminaire suitable for dry or damp locations.

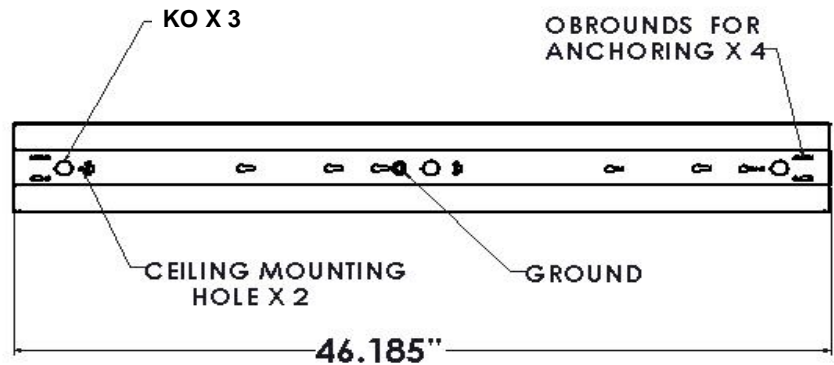
Warranty – 5-year limited warranty

LED PACKAGE	DELIVERED LUMENS	WATTAGE	EFFICACY (lm/W)
46"			
40	3,967	30	132
60	5,950	45	132
92"			
80	7,934	58	137
120	12,208	97	126

*Results based on 4000K, 80 CRI, H5 Lens

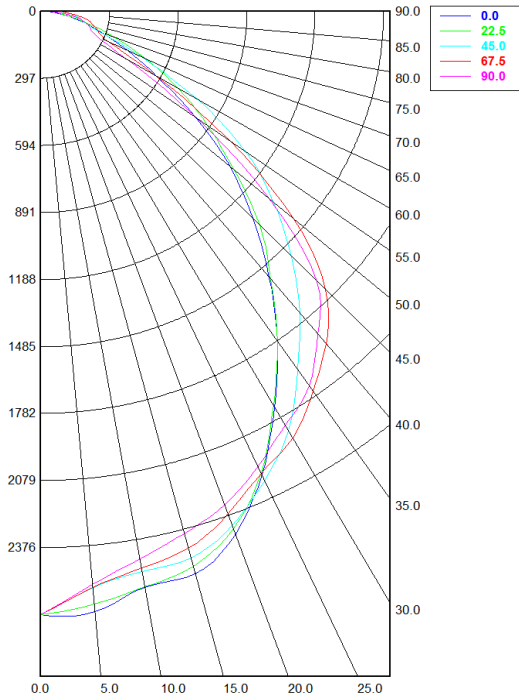
MULTIPLIER TABLE	
COLOR TEMPERATURE	
CCT/CRI	CONVERSION FACTOR
3000K / 80 CRI	0.95
3500K / 80 CRI	0.97
4000K / 80 CRI	1
5000K / 80 CRI	1.03

FIXTURE DETAILS



PHOTOMETRY

PSBL-N-46-L-60-40-H5-MV Total Luminaire Output: 5,950 lumens; 45 Watts



Candela Distribution

	0.00°	22.50°	45.00°	67.50°	90.00°
0.00°	2,672.73	2,672.73	2,672.73	2,672.73	2,672.73
5.00°	2,669.35	2,635.73	2,564.59	2,562.33	2,547.53
10.00°	2,589.52	2,589.01	2,519.22	2,503.26	2,463.68
15.00°	2,579.17	2,545.18	2,505.70	2,461.93	2,394.62
20.00°	2,461.43	2,436.62	2,421.25	2,368.58	2,325.93
25.00°	2,263.80	2,254.43	2,291.99	2,257.76	2,224.17
30.00°	2,028.10	2,017.12	2,147.69	2,184.18	2,118.46
35.00°	1,789.81	1,788.63	1,939.98	2,056.22	2,027.85
40.00°	1,541.32	1,552.45	1,747.00	1,923.53	1,868.31
45.00°	1,295.92	1,338.08	1,536.35	1,745.50	1,691.53
50.00°	1,063.90	1,088.48	1,318.64	1,432.68	1,292.61
55.00°	811.24	880.24	1,078.27	986.24	813.19
60.00°	580.80	688.29	779.02	581.25	435.76
65.00°	412.60	495.06	479.09	327.13	266.52
70.00°	278.72	336.48	273.13	266.10	228.11
75.00°	187.64	200.20	193.69	232.33	200.40
80.00°	104.10	119.13	161.17	196.07	149.01
85.00°	44.33	64.73	115.36	126.56	66.49
90.00°	11.99	39.43	81.16	82.63	19.30

Spacing Criterion:

Two luminaires, plane 0°	1.13
Two luminaires, plane 90°	1.18
Four luminaires	1.28

Zonal Lumen Summary

Zone	Lumens	% Fixture
0.00° - 10.00°	260.47	4.38%
10.00° - 20.00°	700.72	11.78%
20.00° - 30.00°	1,037.99	17.44%
30.00° - 40.00°	1,198.37	20.14%
40.00° - 50.00°	1,160.90	19.51%
50.00° - 60.00°	836.83	14.06%
60.00° - 70.00°	428.20	7.20%
70.00° - 80.00°	221.95	3.73%
80.00° - 90.00°	105.11	1.77%
90.00° - 100.00°	15.00	0.25%
100.00° - 110.00°	0.00	0.00%
110.00° - 120.00°	0.00	0.00%
120.00° - 130.00°	0.00	0.00%
130.00° - 140.00°	0.00	0.00%
140.00° - 150.00°	0.00	0.00%
150.00° - 160.00°	0.00	0.00%
160.00° - 170.00°	0.00	0.00%
170.00° - 180.00°	0.00	0.00%
0.00° - 90.00°	5,950.53	100.00%
90.00° - 180.00°	15.00	0.25%
0.00° - 180.00°	5,950.53	100.00%