

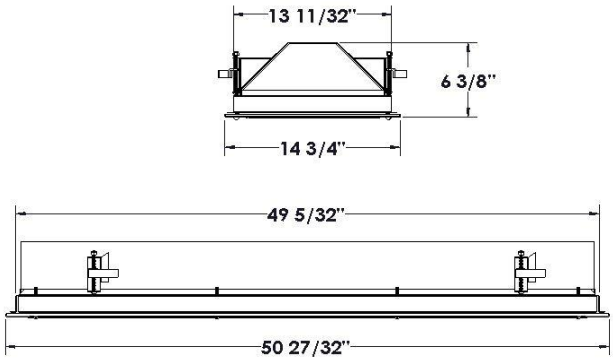
PROJECT:

NOTES:

ORDERING INFORMATION:

EXAMPLE PRWP - 48 - LED - 60 - 9 - 50 - L1 - MV - EM - CN1 - DIM
 SERIES NOM. LENGTH SOURCE LUMENS CRI KELVINS DIFFUSER VOLTAGE OPTIONS CONTROLS DRIVER

SHOP DRAWINGS



ORDERING INFORMATION

SERIES

PRWP

KELVIN

30	3000K
35	3500K
40	4000K
50	5000K
TW	Tunable White

NOMINAL LENGTH

48	48"
----	-----

SOURCE

L	LED
---	-----

Diffusers

0	No diffuser (i.e. only protective glass lens)
H1	White Opal Acrylique - 0.125"
L1	Frosted Acrylic - 0.118"
H5	White Opal Flexlume - 0.020"

LUMENS

Lumen Package*	Nom. Lumens	Wattage
48"		
40	4,000	26
60	6,000	39
80	8,000	52

*Other lumen packages available.

VOLTAGE

MV	120-277V
347	347V

OPTIONS

EM	Emergency Power Pack
----	----------------------

CRI

BLANK	80 CRI
9	90 CRI

CONTROLS

Click on the following link for control options:
<https://bit.ly/2KzMuAx>
 **CLE4 is the best option for motion sensor for that type of luminaire. (only available for 120-277)

DRIVER

BLANK Non-dimming applications
 DM 0-10V dimming
 DA DALI Driver
 Click on the following link for special driver options:
<https://bit.ly/2FqZ6qU>

FEATURES

- > Heavy duty weatherproof luminaire designed for hazardous and harsh environments
- > This luminaire is CSA certified for Class 1 Division 2
- > 0.25" tempered glass protective lens
- > Sealed with continuous extruded flexible vinyl gasketing to protect fixture from environmental contaminants
- > Rust proof satin coated steel housing
- > Welded seamless door frame secured to housing with 8 pressure screws
- > Minimum 80 CRI; color range 3000K - 5000K available
- > Variety of diffusers available for smooth and uniform illumination
- > Tunable White option available
- > Multiple dimming protocols available
- > Efficacies up to 157 lm/W
- > 100% made in Canada

APPLICATIONS

- > Industrial
- > Manufacturing Plants
- > Harsh Environments
- > Commercial
- > Food Processing

FIXTURE PERFORMANCE DATA

SPECIFICATIONS

Housing/Reflector – Rust proof precision die-formed 18-gauge satin coated C.R.S. housing with continuous welded and ground seams

Door – Welded seamless frame secured to housing with 8 pressure screws

Gasketing -- Insulation bonded closed cell neoprene gasket protects fixture from environmental contaminants

Shielding – 0.25" thick tempered glass

Finish – Baked white enamel powder finish applied post production on all surfaces for smooth edges and safe handling..

Electrical – High quality mid-power LED boards. L85 >50,000 hours.

Mounting – Suspended or surface

Listings –
 ■ CSA certified as Class 1 Division 2 luminaire

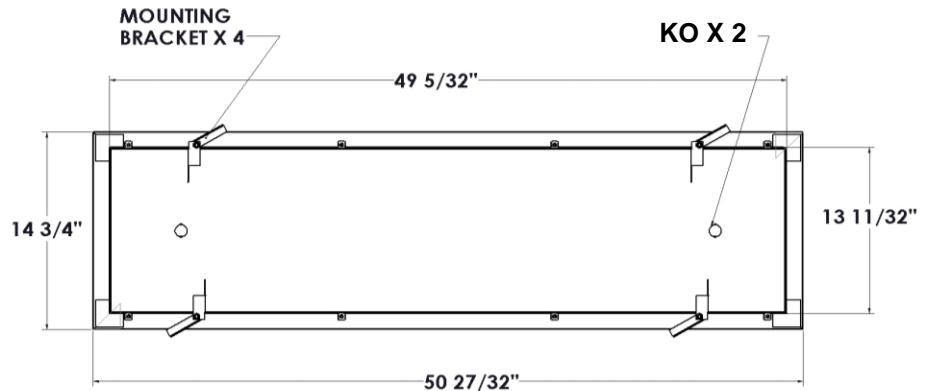
Warranty – 5-year limited warranty

LED PACKAGE	DELIVERED LUMENS	WATTAGE	EFFICACY (lm/W)
48"			
40	4,075	26	157
60	6,112	39	157
80	8,149	52	157

**Results based on 4000K, 80 CRI, no diffuser

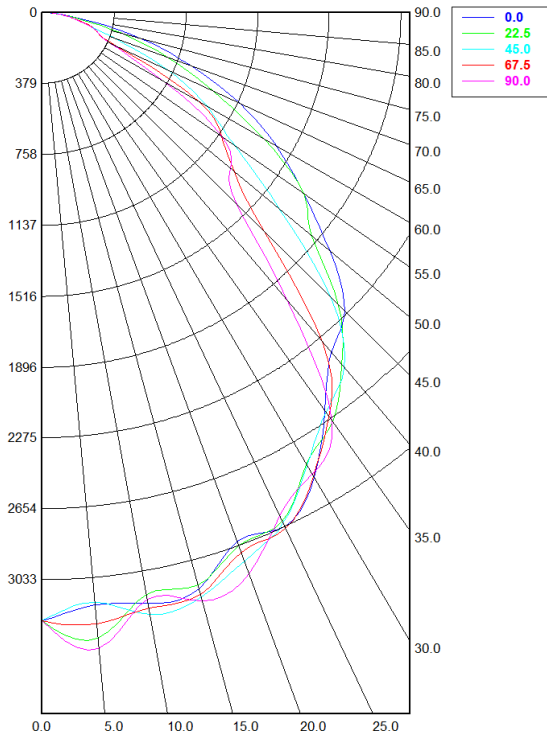
MULTIPLIER TABLE	
COLOR TEMPERATURE	
CCT/CRI	CONVERSION FACTOR
3000K / 80 CRI	0.95
3500K / 80 CRI	0.97
4000K / 80 CRI	1
5000K / 80 CRI	1.03

FIXTURE DETAILS



PHOTOMETRY

PRWP-48-LED-80-40-00-MV Total Luminaire Output: 8,149 lumens; 157 Watts



Candela Distribution

	0.00°	22.50°	45.00°	67.50°	90.00°
0.00°	3,253.96	3,253.96	3,253.96	3,253.96	3,253.96
5.00°	3,180.12	3,357.73	3,164.17	3,280.56	3,412.04
10.00°	3,208.84	3,160.33	3,268.58	3,234.27	3,186.39
15.00°	3,191.24	3,170.38	3,235.71	3,220.47	3,257.33
20.00°	3,008.61	3,031.98	3,120.05	3,069.84	3,192.16
25.00°	3,032.79	3,003.65	3,012.97	3,045.14	2,969.80
30.00°	2,873.47	2,793.59	2,799.59	2,866.44	2,852.47
35.00°	2,604.45	2,674.51	2,614.00	2,643.31	2,671.56
40.00°	2,376.35	2,462.74	2,484.77	2,310.80	2,027.67
45.00°	2,260.87	2,216.19	2,159.51	1,656.18	1,448.93
50.00°	1,986.82	1,861.89	1,647.27	1,323.31	1,296.36
55.00°	1,689.34	1,687.00	1,234.70	1,152.23	1,154.74
60.00°	1,426.40	1,348.23	1,001.34	949.33	747.60
65.00°	1,144.07	992.43	729.60	442.96	395.76
70.00°	830.95	707.39	405.30	311.57	308.03
75.00°	530.99	424.23	230.07	238.10	231.01
80.00°	223.43	184.95	136.92	138.87	134.53
85.00°	48.76	61.30	63.31	70.21	71.94
90.00°	11.38	14.47	11.57	11.72	10.34

Spacing Criterion:

Two luminaires, plane 0°	1.27
Two luminaires, plane 90°	1.29
Four luminaires	1.37

Zonal Lumen Summary

Zone	Lumens	% Fixture
0.00° - 10.00°	328.92	4.04%
10.00° - 20.00°	897.56	11.01%
20.00° - 30.00°	1,375.27	16.88%
30.00° - 40.00°	1,635.33	20.07%
40.00° - 50.00°	1,520.67	18.66%
50.00° - 60.00°	1,216.99	14.93%
60.00° - 70.00°	753.12	9.24%
70.00° - 80.00°	340.09	4.17%
80.00° - 90.00°	81.33	1.00%
90.00° - 100.00°	3.33	0.04%
100.00° - 110.00°	0.00	0.00%
110.00° - 120.00°	0.00	0.00%
120.00° - 130.00°	0.00	0.00%
130.00° - 140.00°	0.00	0.00%
140.00° - 150.00°	0.00	0.00%
150.00° - 160.00°	0.00	0.00%
160.00° - 170.00°	0.00	0.00%
170.00° - 180.00°	0.00	0.00%
0.00° - 90.00°	8,149.28	100.00%
90.00° - 180.00°	3.33	0.04%
0.00° - 180.00°	8,149.28	100.00%

