

PROJECT:

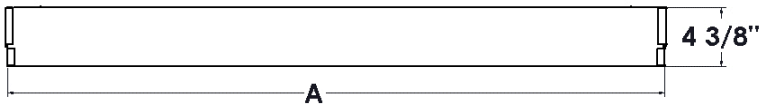
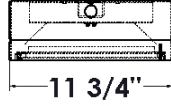
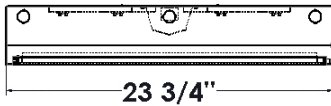
NOTES:

ORDERING INFORMATION:

EXAMPLE PRTB - 24 - L - 40 - 40 - S1 - L1 - MV - CP3 - DM - EM
 SERIES NOM. LENGTH SOURCE LUMENS KELVINS DOOR DIFFUSER VOLTAGE CONTROLS DRIVER OPTIONS

SHOP DRAWINGS

	A
PRTB-14	47.75"
PRTB-22	23.75"
PRTB-24	47.75"



ORDERING INFORMATION

SERIES
PRTB

NOMINAL LENGTH
 14 12" x 48"
 22 24" x 24"
 24 24" x 48"
 M Metric

SOURCE
L LED

LUMENS

Lumen Package*	Nom. Lumens	Wattage
12" x 48"		
30	3,000	21
40	4,000	28
50	5,000	35
24" x 24"		
30	3,000	21
40	4,000	28
50	5,000	35
24" x 48"		
40	4,000	27
60	6,000	41
80	8,000	52

*Other lumen packages available.

KELVIN
 30 3000K
 35 3500K
 40 4000K
 50 5000K
 TW Tunable White

DOORS
 S1 T-Hinged and screws
 S2 T-Hinged and latch
 S3 With angle frame, T-Hinged and screws

DIFFUSERS
 A0 Acrylic K12 - 0.95" (standard)
 A1 Acrylic K12 - 0.125"
 H1 White Opal
 L1 Frosted
 K19 Frosted K19 - 0.156"

VOLTAGE
 MV 120-277V
 347 347V

OPTIONS
 EM Emergency Power Pack
 9C 90 CRI
 AY Gasketed Door

CONTROLS
 Click on the following link for control options:
<https://bit.ly/2CSIXqa>

DRIVER
 BLANK Non-dimming applications
 DM 0-10V dimming
 DA DALI
 Click on the following link for special driver options:
<https://bit.ly/2FqZ6qU>

FEATURES

- > One-piece housing constructed of 20 gauge C.R.S.
- > Rolled edge channel provide superior strength
- > Flush steel door with T-slot hinge for positive retention when opened
- > Variety of lenses available for smooth and uniform illumination
- > Minimum 80 CRI; color range 3000K - 5000K available
- > Tunable White option available
- > Multiple dimming protocols available
- > Efficacies up to 160 lm/W
- > 100% made in Canada

APPLICATIONS

- > Offices
- > Schools
- > Retail Stores
- > Commercial Applications

LED

FIXTURE PERFORMANCE DATA

SPECIFICATIONS

Housing – One-piece precision die-formed 20-gauge C.R.S.

Door – Standard flush steel door with T-hinge is secured with screws. Cam action latch optional.

Diffusers – Variety of diffusers available for smooth and uniform illumination

Finish – Baked white enamel powder finish applied post production on all surfaces for smooth edges and safe handling.

Electrical – High quality mid-power LED boards. L85 >50,000 hours

Mounting – T-Bar ceiling

Listings –

■ CSA certified as luminaire suitable for dry or damp locations.

■ cUL certified as luminaire suitable for dry or damp locations.

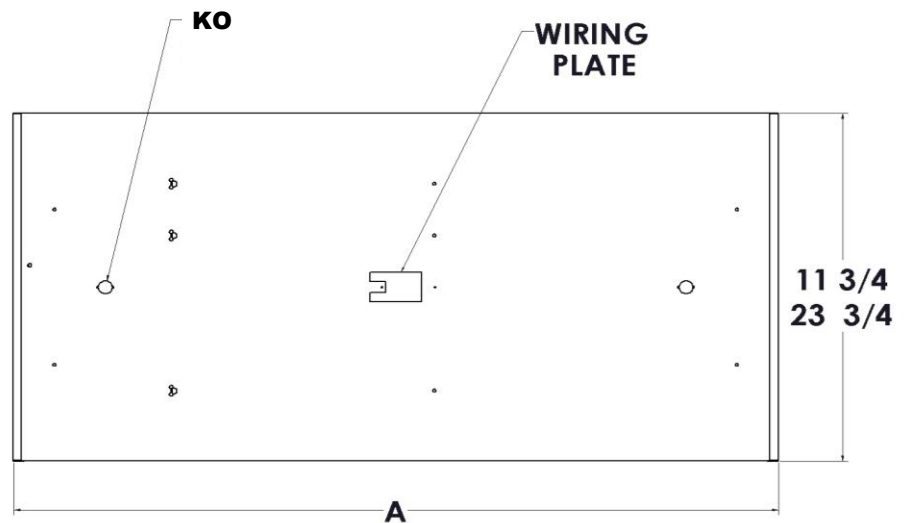
Warranty – 5-year limited warranty

LED PACKAGE	DELIVERED LUMENS	WATTAGE	EFFICACY (lm/W)
12" x 48"			
30	3,109	21	148
40	4,142	28	148
50	5,190	35	148
24" x 24"			
30	3,018	21	144
40	4,025	28	144
50	5,044	35	144
24" x 48"			
40	4,312	27	160
60	6,458	41	158
80	8,152	52	157

*Results based on 4000K, 80 CRI, Lens A0

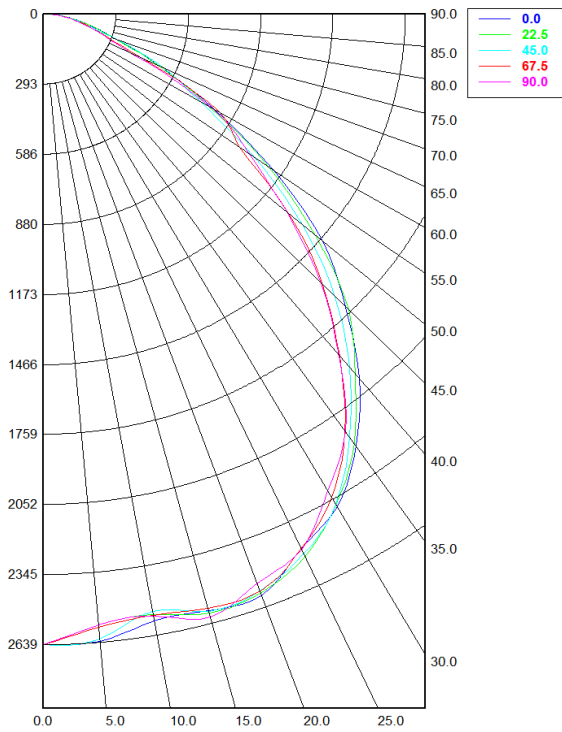
MULTIPLIER TABLE	
COLOR TEMPERATURE	
CCT/CRI	CONVERSION FACTOR
3000K / 80 CRI	0.95
3500K / 80 CRI	0.97
4000K / 80 CRI	1
5000K / 80 CRI	1.03

FIXTURE DETAILS



PHOTOMETRY

PRTB-24-LED-60-40-S1-A0-MVOLT Total Luminaire Output: 6458 lumens; 41 Watts



Candela Distribution

	0.00°	22.50°	45.00°	67.50°	90.00°
0.00°	2,638.59	2,638.59	2,638.59	2,638.59	2,638.59
5.00°	2,633.59	2,565.99	2,623.94	2,575.37	2,566.84
10.00°	2,579.92	2,551.01	2,537.87	2,555.63	2,556.69
15.00°	2,583.38	2,594.96	2,586.41	2,572.80	2,611.06
20.00°	2,585.56	2,575.29	2,566.99	2,567.38	2,533.84
25.00°	2,471.07	2,507.36	2,494.68	2,472.53	2,474.41
30.00°	2,381.29	2,372.00	2,370.22	2,336.76	2,305.47
35.00°	2,206.96	2,195.27	2,163.72	2,131.18	2,133.76
40.00°	1,992.21	1,965.90	1,931.36	1,866.74	1,861.96
45.00°	1,732.64	1,748.03	1,671.60	1,601.18	1,592.95
50.00°	1,478.80	1,439.34	1,371.66	1,298.63	1,282.92
55.00°	1,133.00	1,109.00	1,032.38	969.57	1,011.49
60.00°	796.89	776.88	728.66	819.73	785.50
65.00°	524.39	518.37	540.39	446.47	404.45
70.00°	326.77	317.74	313.94	258.96	255.32
75.00°	203.01	211.85	180.09	172.80	165.34
80.00°	118.73	123.04	113.05	106.23	104.34
85.00°	43.43	46.31	45.11	42.33	41.90
90.00°	7.83	9.35	9.53	9.29	8.72

Spacing Criterion:

Two luminaires, plane 0°	1.31
Two luminaires, plane 90°	1.27
Four luminaires	1.34

Zonal Lumen Summary

Zone	Lumens	% Fixture
0.00° - 10.00°	261.09	4.04%
10.00° - 20.00°	729.30	11.29%
20.00° - 30.00°	1,139.53	17.65%
30.00° - 40.00°	1,342.24	20.78%
40.00° - 50.00°	1,274.54	19.74%
50.00° - 60.00°	942.67	14.60%
60.00° - 70.00°	505.63	7.83%
70.00° - 80.00°	205.84	3.19%
80.00° - 90.00°	57.21	0.89%
90.00° - 100.00°	2.50	0.04%
100.00° - 110.00°	0.00	0.00%
110.00° - 120.00°	0.00	0.00%
120.00° - 130.00°	0.00	0.00%
130.00° - 140.00°	0.00	0.00%
140.00° - 150.00°	0.00	0.00%
150.00° - 160.00°	0.00	0.00%
160.00° - 170.00°	0.00	0.00%
170.00° - 180.00°	0.00	0.00%
0.00° - 90.00°	6,458.05	100.00%
90.00° - 180.00°	2.50	0.04%
0.00° - 180.00°	6,458.05	100.00%