

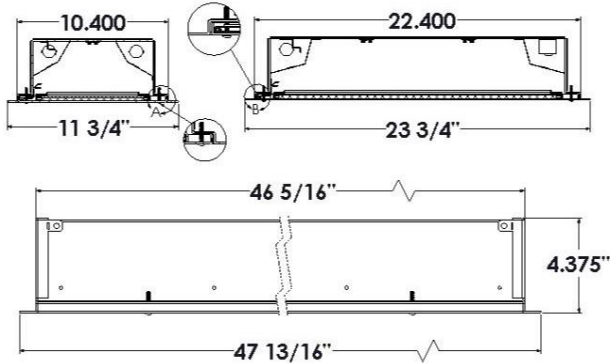
PROJECT:

NOTES:

ORDERING INFORMATION:

EXAMPLE PRTA - H - 24 - 60 - 9 - 40 - H5 - M4 - MV - AM - D1
 SERIES SECURITY NOM. LENGTH LUMENS CRI KELVINS DIFFUSERS LENS VOLTAGE OPTION DRIVER

SHOP DRAWINGS



ORDERING INFORMATION

SERIES

PRTA

KELVIN

30 3000K
 35 3500K
 40 4000K
 50 5000K
 TW Tunable White

NOMINAL LENGTH

14 12" x 48"
 22 24" x 24"
 24 24" x 48"

SECURITY LEVEL

H 14-Ga CRS (painted white)
 M 16-Ga CRS (painted white)
 L 18-Ga CRS (painted white)
 HS 14-Ga SS (painted white)
 MS 16-Ga SS (painted white)
 LS 18-Ga SS (painted white)

DIFFUSERS

A1 Acrylic Prismatic K12 (1/8")
 L1 Frosted Acrylic (1/8")
 H5 White Opal Underlay
 H1 White Opal Acrylic (1/8")
 G1 Polycarbonate Prismatic K12 (1/8")

SECURITY LENS

M1 Clear Polycarbonate (1/8")
 M3 Clear Polycarbonate (3/16")
 M4 Clear Polycarbonate (1/4")
 M5 Clear Polycarbonate (3/8")
 M6 Clear Polycarbonate (1/2")
 T3 Tempered Glass (3/16")
 T6 Tempered Glass (1/2")

LUMENS

Lumen Package*	Nominal Lumens
12" x 48"	
30	3,000
40	4,000
50	5,000
24" x 24"	
30	3,000
40	4,000
50	5,000
24" x 48"	
40	4,000
60	6,000
80	8,000
120	12,000

*Other lumen packages available

VOLTAGE

MV 120-277V
 347 347V

OPTIONS

AM Anti-microbial paint
 EM Emergency Power Pack
 OS Internal occupancy and daylight harvesting sensor (OSM3D-DDW)
 NLA Amber LED night light (500 lumens)
 NLR Red LED night light (500 lumens)
 NL White LED night light (500 lumens)*

*Confirm TempK with manufacture

DRIVERS

ND Non-dimming applications
 D 0-10V dimming
 D1 0-10V dimming to 1%
 DA DALI driver

FEATURES

- > Specification-grade LED luminaire for anti-vandal and maximum security applications
- > Security lens (multiple thicknesses available)
- > Double frame secured internally with multiple screws
- > Concealed piano hinge welded to door frame and fastened to backplate
- > Welded housing for additional strength
- > Minimum 80 CRI; color range 3000K - 5000K available
- > Multiple dimming protocols available
- > IK10 rated

APPLICATIONS

- > Correctional facilities
- > Corridors
- > Locker rooms
- > Public areas
- > Stairwells
- > Rough service applications

CRI
 BLANK 80 CRI
 9 90 CRI

LED

FIXTURE PERFORMANCE DATA

SPECIFICATIONS

Housing – Precision die-formed 12, 14, 16, 18-gauge C.R.S. or stainless steel with continuously welded end plates

Door Frame – Single piece precision die formed frame with seam welded corners and tamper-resistant screws to secure door frame to housing

Shielding – Variety of robust polycarbonate lenses available. Secured with double frame which is fastened with multiple screws.

Hinge – Piano style hinge with .500" knuckle and .125" pin welded to doorframe

Finish – Baked white enamel powder finish applied post production on all surfaces for smooth edges and safe handling

Electrical – High quality mid-power LED boards. L70 >72,000 hours reported / 129,200 hours calculated. L85 >50,000 hours.

Mounting – Recessed T-Bar ceiling. We strongly recommend to add wire hangers on each earthquake clips/brackets (see fixture details)

Listings –

- cUL certified as luminaire suitable for dry or damp locations.

Warranty – 5-year limited warranty

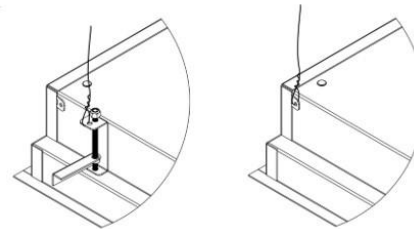
LED PACKAGE	DELIVERED LUMENS	WATTAGE	EFFICACY (lm/W)
12" x 48"			
30	3,062	23	133
40	4,008	30	134
50	5,043	38	133
24" x 24"			
30	3,120	23	136
40	4,091	30	136
50	5,146	38	135
24" x 48"			
40	4,191	27	155
60	6,283	41	153
80	8,375	55	152

*Results based on 4000K, 80 CRI, Diffuser (A0) and Lens (M1)

MULTIPLIER TABLE	
COLOR TEMPERATURE	
CCT/CRI	CONVERSION FACTOR
3000K / 80 CRI	0.95
3500K / 80 CRI	0.97
4000K / 80 CRI	1
5000K / 80 CRI	1.03

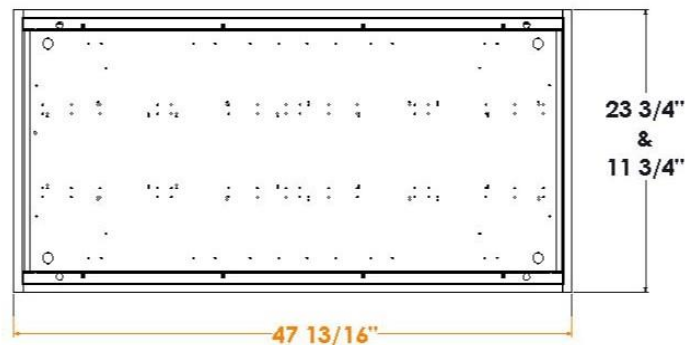
FIXTURE DETAILS

Hanging brackets to secure housing to structure (wires not supplied by PA-CO)



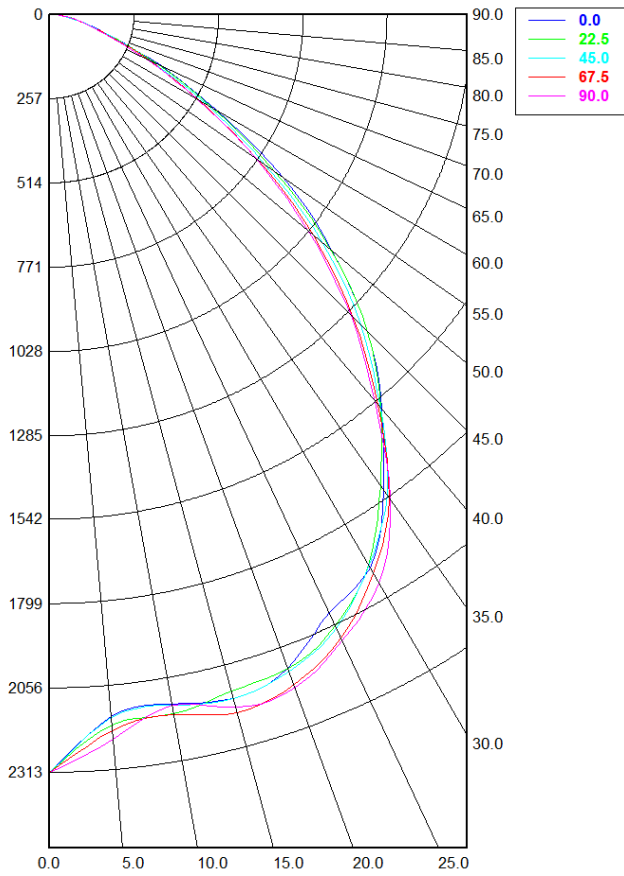
Plaster ceiling / Flange

T-Bar



PHOTOMETRY

PRTA-22-H-L-50-40-A0-M1-MV Total Luminaire Output: 5,146 lumens; 38 Watts



Candela Distribution

	0.00°	22.50°	45.00°	67.50°	90.00°
0.00°	2,312.54	2,312.54	2,312.54	2,312.54	2,312.54
5.00°	2,151.79	2,176.34	2,154.94	2,194.60	2,220.54
10.00°	2,136.49	2,167.35	2,140.36	2,169.45	2,142.05
15.00°	2,160.64	2,138.11	2,161.74	2,206.05	2,189.93
20.00°	2,121.40	2,124.09	2,131.64	2,175.39	2,186.14
25.00°	2,015.89	2,060.50	2,068.38	2,101.17	2,110.38
30.00°	1,951.72	1,943.28	1,944.52	1,972.27	2,005.00
35.00°	1,773.92	1,756.71	1,792.63	1,803.03	1,811.01
40.00°	1,575.09	1,569.19	1,567.99	1,555.30	1,541.66
45.00°	1,371.83	1,371.27	1,340.02	1,309.84	1,299.24
50.00°	1,125.61	1,122.47	1,089.11	1,046.17	1,024.12
55.00°	866.86	839.07	800.54	770.86	762.41
60.00°	586.80	576.76	552.81	521.64	520.73
65.00°	374.32	365.64	344.62	333.55	324.69
70.00°	210.08	208.43	201.28	194.86	187.04
75.00°	116.59	117.54	116.70	112.73	114.11
80.00°	62.21	64.00	65.39	62.35	61.51
85.00°	24.40	24.06	24.25	23.81	22.13
90.00°	5.54	6.48	5.26	5.33	5.02

Spacing Criterion:

Two luminaires, plane 0°	1.24
Two luminaires, plane 90°	1.26
Four luminaires	1.3

Zonal Lumen Summary

Zone	Lumens	% Fixture
0.00° - 10.00°	220.40	4.28%
10.00° - 20.00°	611.60	11.88%
20.00° - 30.00°	950.00	18.46%
30.00° - 40.00°	1,105.42	21.48%
40.00° - 50.00°	1,021.76	19.85%
50.00° - 60.00°	720.27	13.99%
60.00° - 70.00°	355.59	6.91%
70.00° - 80.00°	130.02	2.53%
80.00° - 90.00°	31.66	0.62%
90.00° - 100.00°	1.53	0.03%
100.00° - 110.00°	0.00	0.00%
110.00° - 120.00°	0.00	0.00%
120.00° - 130.00°	0.00	0.00%
130.00° - 140.00°	0.00	0.00%
140.00° - 150.00°	0.00	0.00%
150.00° - 160.00°	0.00	0.00%
160.00° - 170.00°	0.00	0.00%
170.00° - 180.00°	0.00	0.00%
0.00° - 90.00°	5,146.71	100.00%
90.00° - 180.00°	1.53	0.03%
0.00° - 180.00°	5,146.71	100.00%