

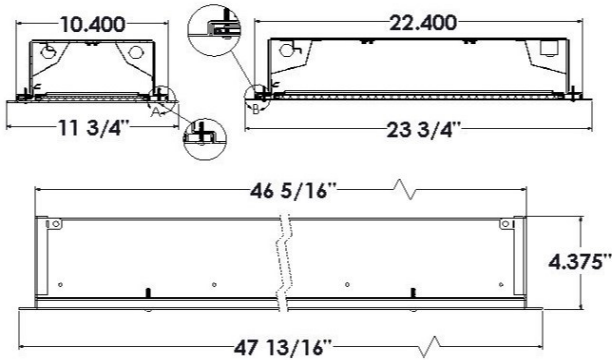
PROJECT:

NOTES:

ORDERING INFORMATION:

**EXAMPLE** PRTA - H - 24 - 60 - 9 - 40 - H5 - M4 - MV - AM - D1  
 SERIES SECURITY NOM. LENGTH LUMENS CRI KELVINS DIFFUSERS LENS VOLTAGE OPTION DRIVER

SHOP DRAWINGS



ORDERING INFORMATION

SERIES	
PRTA	
NOMINAL LENGTH	
14	12" x 48"
22	24" x 24"
24	24" x 48"

SECURITY LEVEL	
X	Extra Heavy (12 gauge)
H	Heavy (14 gauge)
M	Medium (16 gauge)
L	Light (18 gauge)

Lumen Package*	Nominal Lumens
<b>12" x 48"</b>	
30	3,000
40	4,000
50	5,000
<b>24" x 24"</b>	
30	3,000
40	4,000
50	5,000
<b>24" x 48"</b>	
40	4,000
60	6,000
80	8,000
120	12,000

\*Other lumen packages available

CRI	
BLANK	80 CRI
9	90 CRI

KELVIN	
30	3000K
35	3500K
40	4000K
50	5000K
TW	Tunable White

DIFFUSERS	
A1	Acrylic K12 (1/8")
L1	Frosted Acrylic (1/8")
H5	White Opal Underlay

SECURITY LENS	
M1	Clear Polycarbonate (1/8")
M3	Clear Polycarbonate (3/16")
M4	Clear Polycarbonate (1/4")
M5	Clear Polycarbonate (3/8")
M6	Clear Polycarbonate (1/2")
T6	Tempered Glass (1/2")

VOLTAGE	
MV	120-277V
347	347V

OPTIONS	
AM	Anti-microbial paint
EM	Emergency Power Pack
OS	Internal occupancy and daylight harvesting sensor (OSM3D-DDW)

DRIVERS	
ND	Non-dimming applications
D	0-10V dimming
D1	0-10V dimming to 1%
DA	DALI driver

FEATURES

- > Specification-grade LED luminaire for anti-vandal and maximum security applications
- > Security lens (multiple thicknesses available)
- > Double frame secured internally with multiple screws
- > Concealed piano hinge welded to door frame and fastened to backplate
- > Welded housing for additional strength
- > Minimum 80 CRI; color range 3000K - 5000K available
- > Multiple dimming protocols available
- > IK10 rated

APPLICATIONS

- > Correctional facilities
- > Corridors
- > Locker rooms
- > Public areas
- > Stairwells
- > Rough service applications

LED

FIXTURE PERFORMANCE DATA

SPECIFICATIONS

**Housing** – Precision die-formed 12, 14, 16, 18-gauge C.R.S. with continuously welded end plates

**Door Frame** – Single piece precision die formed frame with seam welded corners and tamper-resistant screws to secure door frame to housing

**Shielding** – Variety of robust polycarbonate lenses available. Secured with double frame which is fastened with multiple screws.

**Hinge** – Piano style hinge with .500" knuckle and .125" pin welded to doorframe

**Finish** – Baked white enamel powder finish applied post production on all surfaces for smooth edges and safe handling

**Electrical** – High quality mid-power LED boards. L70 >72,000 hours reported / 129,200 hours calculated. L85 >50,000 hours.

**Mounting** – Recessed T-Bar ceiling. We strongly recommend to add wire hangers on each earthquake clips/brackets (see fixture details)

**Listings** –

■ cUL certified as luminaire suitable for dry or damp locations.

**Warranty** – 5-year limited warranty

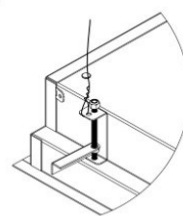
LED PACKAGE	DELIVERED LUMENS	WATTAGE	EFFICACY (lm/W)
12" x 48"			
30	3,062	23	133
40	4,008	30	134
50	5,043	38	133
24" x 24"			
30	3,120	23	136
40	4,091	30	136
50	5,146	38	135
24" x 48"			
40	4,191	27	155
60	6,283	41	153
80	8,375	55	152

\*Results based on 4000K, 80 CRI, Diffuser (A0) and Lens (M1)

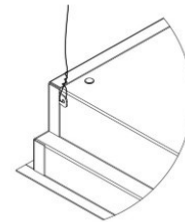
MULTIPLIER TABLE	
COLOR TEMPERATURE	
CCT/CRI	CONVERSION FACTOR
3000K / 80 CRI	0.95
3500K / 80 CRI	0.97
4000K / 80 CRI	1
5000K / 80 CRI	1.03

FIXTURE DETAILS

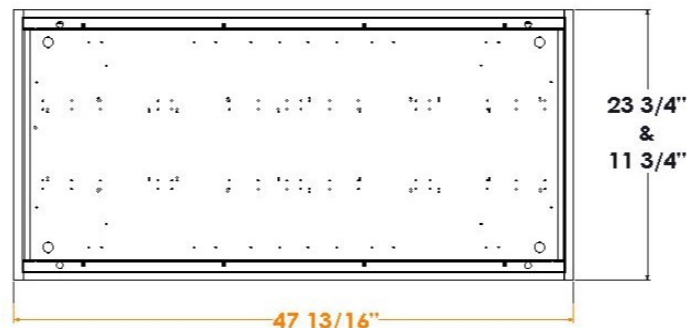
Hanging brackets to secure housing to structure (wires not supplied by PA-CO)



Plaster ceiling / Flange

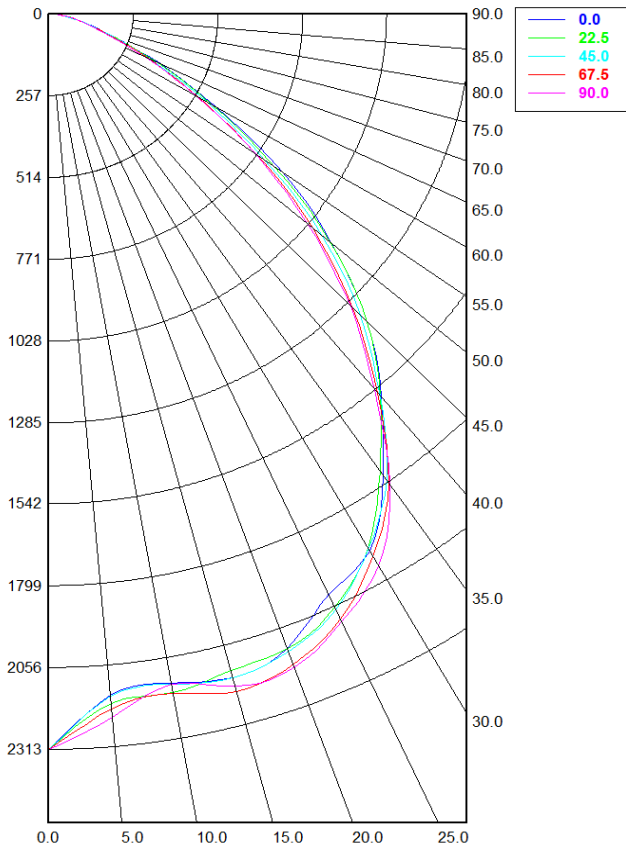


T-Bar



PHOTOMETRY

PRTA-22-H-L-50-40-A0-M1-MV Total Luminaire Output: 5,146 lumens; 38 Watts



Candela Distribution

	0.00°	22.50°	45.00°	67.50°	90.00°
0.00°	2,312.54	2,312.54	2,312.54	2,312.54	2,312.54
5.00°	2,151.79	2,176.34	2,154.94	2,194.60	2,220.54
10.00°	2,136.49	2,167.35	2,140.36	2,169.45	2,142.05
15.00°	2,160.64	2,138.11	2,161.74	2,206.05	2,189.93
20.00°	2,121.40	2,124.09	2,131.64	2,175.39	2,186.14
25.00°	2,015.89	2,060.50	2,068.38	2,101.17	2,110.38
30.00°	1,951.72	1,943.28	1,944.52	1,972.27	2,005.00
35.00°	1,773.92	1,756.71	1,792.63	1,803.03	1,811.01
40.00°	1,575.09	1,569.19	1,567.99	1,555.30	1,541.66
45.00°	1,371.83	1,371.27	1,340.02	1,309.84	1,299.24
50.00°	1,125.61	1,122.47	1,089.11	1,046.17	1,024.12
55.00°	866.86	839.07	800.54	770.86	762.41
60.00°	586.80	576.76	552.81	521.64	520.73
65.00°	374.32	365.64	344.62	333.55	324.69
70.00°	210.08	208.43	201.28	194.86	187.04
75.00°	116.59	117.54	116.70	112.73	114.11
80.00°	62.21	64.00	65.39	62.35	61.51
85.00°	24.40	24.06	24.25	23.81	22.13
90.00°	5.54	6.48	5.26	5.33	5.02

Spacing Criterion:

Two luminaires, plane 0°	1.24
Two luminaires, plane 90°	1.26
Four luminaires	1.3

Zonal Lumen Summary

Zone	Lumens	% Fixture
0.00° - 10.00°	220.40	4.28%
10.00° - 20.00°	611.60	11.88%
20.00° - 30.00°	950.00	18.46%
30.00° - 40.00°	1,105.42	21.48%
40.00° - 50.00°	1,021.76	19.85%
50.00° - 60.00°	720.27	13.99%
60.00° - 70.00°	355.59	6.91%
70.00° - 80.00°	130.02	2.53%
80.00° - 90.00°	31.66	0.62%
90.00° - 100.00°	1.53	0.03%
100.00° - 110.00°	0.00	0.00%
110.00° - 120.00°	0.00	0.00%
120.00° - 130.00°	0.00	0.00%
130.00° - 140.00°	0.00	0.00%
140.00° - 150.00°	0.00	0.00%
150.00° - 160.00°	0.00	0.00%
160.00° - 170.00°	0.00	0.00%
170.00° - 180.00°	0.00	0.00%
0.00° - 90.00°	5,146.71	100.00%
90.00° - 180.00°	1.53	0.03%
0.00° - 180.00°	5,146.71	100.00%

