

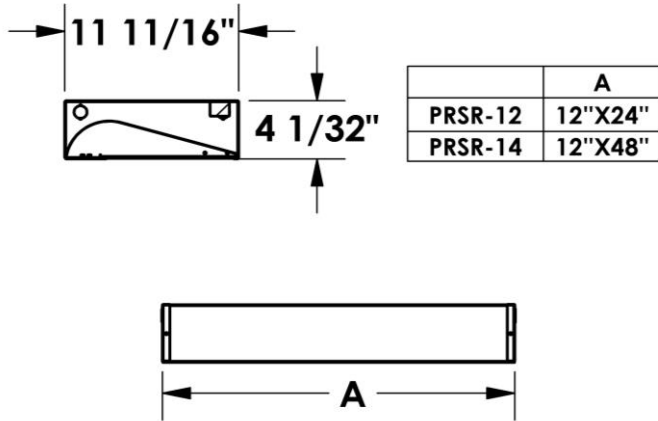
PROJECT:

NOTES:

ORDERING INFORMATION:

EXAMPLE PRSR - 14 - LED - 60 - 40 - A0 - MVOLT - DIM
 SERIES NOM. LENGTH SOURCE LUMENS KELVINS LENS VOLTAGE DRIVER

SHOP DRAWINGS



ORDERING INFORMATION

SERIES	PRSR	KELVIN	30 3000K 35 3500K 40 4000K 50 5000K TW Tunable White
NOMINAL LENGTH	12 12"x 24" 14 12"x 48"	LENS	A0 Acrylic K12 - 0.95" (standard) A1 Acrylic K12 - 0.125" H1 White Opal 00 None
SOURCE	LED	VOLTAGE	MVOLT 120-277V 347 347V
LUMENS		DRIVER	BLANK Non-dimming applications DIM Dimming applications

FEATURES

- > Specification grade recessed wall washer luminaire
- > Ideal for illuminating wall mounted displays
- > This luminaire eliminates cave effect and scalloping
- > Curved reflector delivers smooth uniform illumination along entire wall
- > Designed for lay-in grid ceiling systems
- > Minimum 80 CRI; color range 3000K - 5000K available
- > Tunable White option available
- > Multiple dimming protocols available
- > Variety of lenses available for smooth and uniform illumination
- > Efficacies up to 134 lm/W
- > 100% made in Canada

APPLICATIONS

- > Classrooms
- > Retail Stores
- > Supermarkets
- > Displays
- > Commercial Applications

Lumen Package*	Nom. Lumens	Wattage
12" x 24"		
20	2,000	16
30	3,000	24
12" x 48"		
30	3,000	23
40	4,000	31

Nominal lumen output based on 4000 CCT.
 May vary +/-5%. See fixture performance data.

*Other lumen packages available. Specify in increments of 100 nominal lumens.
 For example, to specify 4,700 nominal lumens:
 PRSR - [...] - 47 - [...]

LED

FIXTURE PERFORMANCE DATA

SPECIFICATIONS

Housing– Precision die-formed 22-gauge C.R.S.

Finish – Baked white enamel powder finish applied post production on all surfaces for smooth edges and safe handling.

Electrical – High quality mid-power LED boards. L85 >50,000 hours

Mounting – T-Bar ceiling

Listings –

■ CSA certified as luminaire suitable for dry or damp locations.

■ cUL certified as luminaire suitable for dry or damp locations.

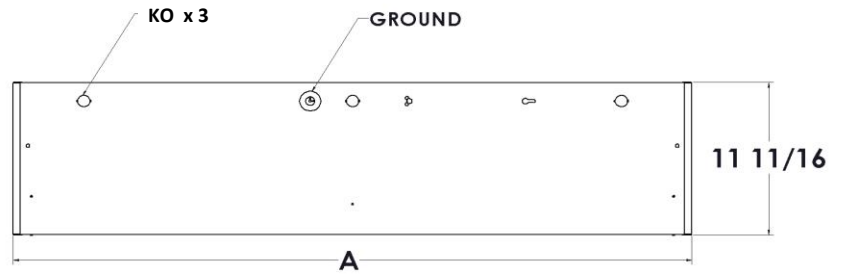
Warranty – 5-year limited warranty

LED PACKAGE	DELIVERED LUMENS	WATTAGE	EFFICACY (lm/W)
12" x 24"			
20	2,038	16	127
30	3,055	24	128
12" x 48"			
30	3,083	23	134
40	4,119	31	133

*Results based on 4000K, 80 CRI

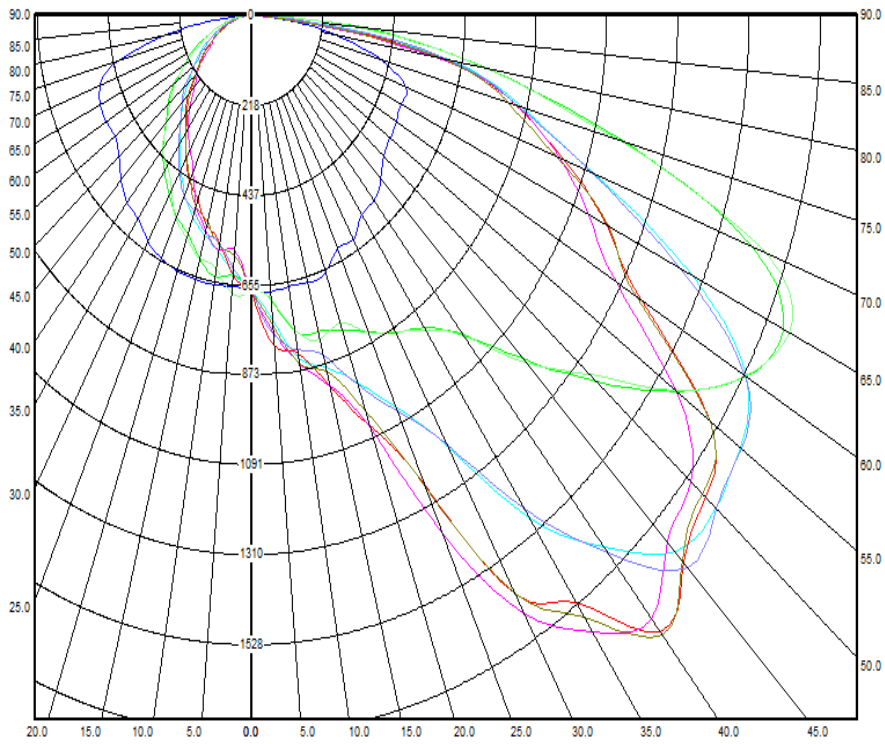
MULTIPLIER TABLE	
COLOR TEMPERATURE	
CCT/CRI	CONVERSION FACTOR
3000K / 80 CRI	0.95
3500K / 80 CRI	0.97
4000K / 80 CRI	1
5000K / 80 CRI	1.03

FIXTURE DETAILS



PHOTOMETRY

PRSR-14-LED-40-40-MVOLT, Total luminaire output: 4,119 lumens, 31 watts



Spacing Criterion:

Two luminaires, plane 0°	1.36
Two luminaires, plane 90°	2.73
Four luminaires	2.14

Candela Distribution

	0.00°	22.50°	45.00°	67.50°	90.00°	112.50°	135.00°	157.50°	180.00°	202.50°	225.00°	247.50°	270.00°	292.50°	315.00°	337.50°	360.00°
0.00°	663.82	663.82	663.82	663.82	663.82	663.82	663.82	663.82	663.82	663.82	663.82	663.82	663.82	663.82	663.82	663.82	663.82
5.00°	672.23	688.84	739.89	802.81	767.68	751.96	774.97	689.59	658.77	632.10	626.55	631.59	571.35	583.90	616.02	677.04	672.23
10.00°	665.16	777.35	843.51	831.12	856.91	856.29	822.10	774.89	662.45	641.93	581.30	557.74	576.76	565.08	558.93	621.45	665.16
15.00°	669.57	793.90	881.35	935.34	931.32	893.80	853.09	810.73	662.31	609.83	551.28	524.87	537.18	518.22	544.78	609.57	669.57
20.00°	662.90	810.55	951.99	1,059.01	1,069.14	1,022.93	956.10	793.93	659.41	564.30	520.86	476.61	491.03	492.93	505.99	575.61	662.90
25.00°	623.32	845.83	1,050.76	1,260.91	1,388.34	1,266.99	1,060.90	845.59	648.90	539.55	479.67	444.56	420.59	441.22	484.14	543.97	623.32
30.00°	624.89	886.77	1,212.31	1,626.83	1,676.97	1,625.18	1,207.11	884.62	632.03	502.75	431.20	398.94	373.84	397.09	437.85	488.98	624.89
35.00°	589.38	923.68	1,492.76	1,740.43	1,828.36	1,783.61	1,463.70	929.31	601.44	462.57	382.87	348.11	338.42	347.37	385.61	446.41	589.38
40.00°	585.74	1,010.18	1,685.81	1,953.69	1,913.88	1,964.46	1,705.70	1,013.41	592.09	420.80	336.09	309.79	293.01	306.03	337.63	421.63	585.74
45.00°	559.64	1,175.45	1,840.93	1,878.16	1,806.59	1,871.14	1,896.25	1,187.51	562.48	369.28	294.23	274.28	245.96	265.26	299.01	366.24	559.64
50.00°	528.81	1,385.77	1,861.68	1,822.00	1,763.36	1,807.75	1,862.79	1,357.03	529.28	332.78	254.59	218.52	213.02	220.28	266.34	325.56	528.81
55.00°	518.73	1,592.99	1,832.12	1,718.69	1,593.04	1,719.94	1,836.04	1,588.74	509.42	286.79	214.98	188.19	175.81	183.68	212.30	281.88	518.73
60.00°	513.24	1,753.83	1,754.04	1,385.96	1,294.48	1,367.61	1,752.28	1,750.05	513.71	233.89	183.50	156.60	142.70	151.27	172.55	231.79	513.24
65.00°	507.66	1,800.18	1,499.48	1,207.14	1,145.27	1,213.16	1,457.63	1,819.72	509.28	195.65	147.42	120.42	119.30	121.87	141.97	183.84	507.66
70.00°	504.45	1,636.15	1,121.58	1,025.72	1,008.46	999.55	1,112.67	1,679.73	491.88	138.77	105.05	97.33	90.88	90.58	112.68	136.66	504.45
75.00°	403.78	1,194.11	859.82	839.85	847.33	812.02	844.70	1,167.42	420.57	97.17	80.48	70.61	65.65	75.01	80.17	98.78	403.78
80.00°	249.13	722.49	612.36	588.72	561.51	592.08	608.89	727.93	252.64	60.85	50.95	46.91	44.37	45.62	49.57	62.25	249.13
85.00°	108.16	342.63	193.99	118.91	97.40	116.22	189.69	348.74	110.03	27.15	20.75	20.36	20.87	20.29	23.57	29.71	108.16
90.00°	6.64	7.31	3.70	3.46	2.91	3.51	2.89	7.05	6.95	2.81	2.75	1.60	1.62	1.29	1.42	1.76	6.64
95.00°	0.04	0.27	0.16	0.13	0.21	0.05	0.10	0.04	0.02	0.08	0.05	0.04	0.08	0.02	0.20	0.03	0.04
100.00°	0.07	0.19	0.13	0.16	0.19	0.32	0.44	0.10	0.08	0.14	0.07	0.04	0.04	0.07	0.10	0.13	0.07
105.00°	0.66	0.29	0.12	0.04	0.06	0.13	0.24	0.17	0.18	0.21	0.05	0.28	0.20	0.26	0.20	0.23	0.66
110.00°	0.34	0.20	0.07	0.26	0.10	0.18	0.13	0.16	0.20	0.21	0.25	0.12	0.24	0.12	0.18	0.25	0.34
115.00°	0.44	0.31	0.16	0.09	0.17	0.22	0.20	0.23	0.57	0.22	0.28	0.23	0.18	0.42	0.22	0.28	0.44
120.00°	0.57	0.32	0.30	0.27	0.28	0.22	0.28	0.46	0.37	0.48	0.46	0.40	0.31	0.31	0.17	0.28	0.57
125.00°	0.20	0.15	0.15	0.34	0.43	0.26	0.15	0.40	0.56	0.41	0.27	0.33	0.58	0.38	0.52	0.33	0.20
130.00°	0.32	0.34	0.33	0.27	0.42	0.33	0.35	0.45	0.24	0.43	0.36	0.29	0.41	0.47	0.54	0.56	0.32
135.00°	0.28	0.77	0.51	0.36	0.19	0.26	0.34	0.58	0.68	0.50	0.58	0.60	0.49	0.40	0.54	0.52	0.28
140.00°	0.42	0.64	0.53	0.28	0.12	0.46	0.24	0.44	0.67	1.03	0.53	0.54	0.71	0.57	0.47	0.24	0.42
145.00°	0.50	0.87	0.44	0.40	0.31	0.37	0.23	0.64	0.26	0.87	0.53	0.30	0.43	0.35	0.82	0.58	0.50
150.00°	0.47	1.01	0.91	0.65	0.15	0.75	0.53	1.11	0.68	0.32	0.36	0.43	0.43	0.67	0.45	0.37	0.47
155.00°	0.45	0.76	1.18	0.42	0.37	0.50	1.08	1.55	0.61	0.60	0.73	0.33	0.41	0.52	0.67	0.92	0.45
160.00°	0.39	0.76	2.20	0.51	0.37	0.98	1.41	0.67	0.56	0.59	0.37	0.71	0.53	0.28	0.98	0.25	0.39
165.00°	0.59	0.77	1.19	1.01	0.87	1.40	1.31	1.23	0.45	0.31	0.49	0.50	0.05	0.50	0.34	0.45	0.59
170.00°	0.84	0.69	0.80	1.63	0.57	1.30	0.74	1.10	0.67	1.18	0.15	0.74	0.55	0.29	0.18	0.46	0.84
175.00°	0.01	0.76	0.14	0.58	0.38	1.22	0.96	1.05	0.33	0.73	0.75	1.05	0.36	0.11	0.53	0.45	0.01
180.00°	0.67	0.67	0.67	0.67	0.67	0.67	0.67	0.67	0.67	0.67	0.67	0.67	0.67	0.67	0.67	0.67	0.67

Zonal Lumen Summary

Zone	Lumens	% Fixture
0.00° - 10.00°	69.76	1.69%
10.00° - 20.00°	201.77	4.90%
20.00° - 30.00°	361.60	8.78%
30.00° - 40.00°	554.69	13.47%
40.00° - 50.00°	717.81	17.43%
50.00° - 60.00°	797.29	19.36%
60.00° - 70.00°	743.27	18.04%
70.00° - 80.00°	518.96	12.60%
80.00° - 90.00°	151.03	3.67%
90.00° - 100.00°	1.08	0.03%
100.00° - 110.00°	0.20	0.00%
110.00° - 120.00°	0.26	0.01%
120.00° - 130.00°	0.32	0.01%
130.00° - 140.00°	0.35	0.01%
140.00° - 150.00°	0.32	0.01%
150.00° - 160.00°	0.31	0.01%
160.00° - 170.00°	0.20	0.00%
170.00° - 180.00°	0.06	0.00%
0.00° - 90.00°	4,116.18	99.92%
90.00° - 180.00°	3.10	0.08%
0.00° - 180.00°	4,119.28	100.00%

