

PROJECT:

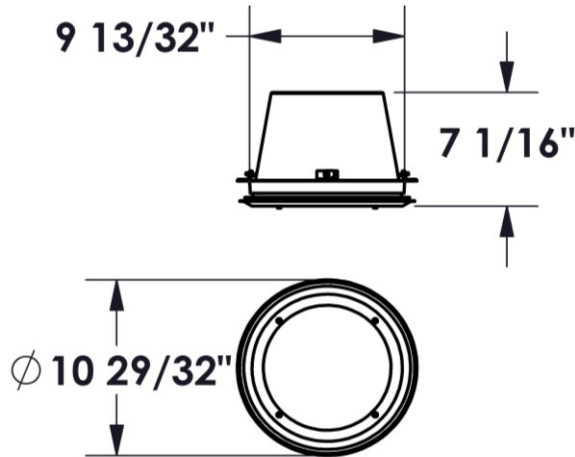
NOTES:

ORDERING INFORMATION:

EXAMPLE

PRRA - L - 40 - 30 - H5 - M4 - AM - MV - D
 SERIES SOURCE LUMENS KELVIN DIFFUSERS LENS OPTIONS VOLTAGE DRIVER

SHOP DRAWINGS



ORDERING INFORMATION

SERIES

PRRA

SOURCE

L LED

LUMENS

Lumen Package*	Nominal Lumens
20	2,000
40	4,000

*Other lumen packages available.

CRI

BLANK 80 CRI
 9 90 CRI

KELVIN

30 3000K
 35 3500K
 40 4000K
 50 5000K

DIFFUSERS

A1 Acrylic K12 (1/8")
 H5 White Opal Underlay
 L1 Frosted Acrylic (1/8")

SECURITY LENS (NOMINAL THICKNESS)

M4 Clear Polycarbonate (1/4")
 M5 Clear Polycarbonate (3/8")

OPTIONS

CW Cold Weather Rated (-40 Celsius)
 AM Antimicrobial Finish
 PE Pool Environment

VOLTAGE

MV 120-277V
 347 347V

DRIVER

ND Non-dimming applications
 D 0-10V dimming
 DA DALI driver

FEATURES

- > Specification-grade LED luminaire for recessed anti-vandal and maximum security applications
- > Robust design with tamper-resistant fasteners stainless steel fasteners
- > 14 gauge CRS single piece spun metal housing
- > Features outer polycarbonate security lens as well as inner diffuser for smooth and uniform illumination
- > Minimum 80 CRI; color range 3000K - 5000K available
- > Multiple dimming protocols available
- > Energy-saving occupancy sensor option available
- > IP66 for recessed applications
- > IK10+

APPLICATIONS

- > Prison cells
- > Correctional facilities
- > Corridors
- > Locker rooms
- > Public areas
- > Schools
- > Stairwells

FIXTURE PERFORMANCE DATA

SPECIFICATIONS

Trim – Single piece spun metal 14 gauge C.R.S.

Security Lens – Variety of robust polycarbonate lenses available (outer lens).

Diffuser – Variety of diffusers available for smooth and uniform illumination (inner lens).

Finish – Baked white enamel powder finish applied post production on all surfaces for smooth edges and safe handling

Electrical – High quality mid-power LED boards. L80 >50,000 hours.

Mounting – 14 gauge C.R.S plaster frame holds fixture tightly in place

- Listings** –
- cUL certified
 - IP66 certified

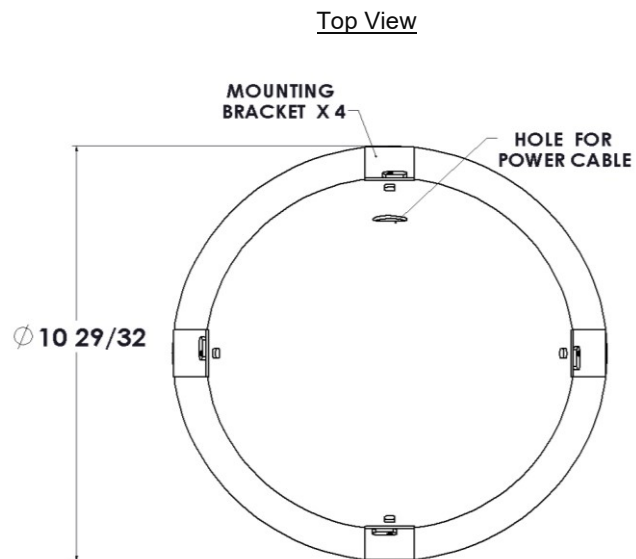
Warranty – 5-year limited warranty

LED PACKAGE	DELIVERED LUMENS	WATTAGE	EFFICACY (lm/W)
20	2,042	19	107
40	4,071	42	97

*Results based on 4000K, 80 CRI, Lens (M1), Diffuser (L1)

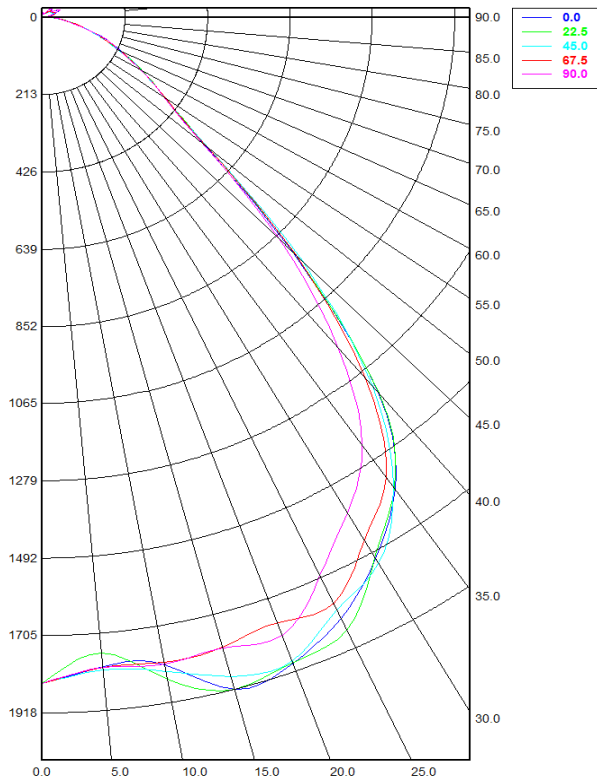
MULTIPLIER TABLE	
COLOR TEMPERATURE	
CCT/CRI	CONVERSION FACTOR
3000K / 80 CRI	0.95
3500K / 80 CRI	0.97
4000K / 80 CRI	1
5000K / 80 CRI	1.03

FIXTURE DETAILS



PHOTOMETRY

PRRA-L-40-40-L1-M1-MV Total Luminaire Output: 4,071 lumens; 42 Watts



Zonal Lumen Summary

Zone	Lumens	% Fixture
0.00° - 10.00°	183.42	4.51%
10.00° - 20.00°	524.94	12.89%
20.00° - 30.00°	823.59	20.23%
30.00° - 40.00°	953.47	23.42%
40.00° - 50.00°	702.98	17.27%
50.00° - 60.00°	359.32	8.83%
60.00° - 70.00°	222.70	5.47%
70.00° - 80.00°	117.03	2.87%
80.00° - 90.00°	42.08	1.03%
90.00° - 100.00°	16.31	0.40%
100.00° - 110.00°	31.50	0.77%
110.00° - 120.00°	32.55	0.80%
120.00° - 130.00°	24.93	0.61%
130.00° - 140.00°	17.93	0.44%
140.00° - 150.00°	9.71	0.24%
150.00° - 160.00°	5.06	0.12%
160.00° - 170.00°	2.65	0.07%
170.00° - 180.00°	1.10	0.03%
0.00° - 90.00°	3,929.54	96.52%
90.00° - 180.00°	141.74	3.48%
0.00° - 180.00°	4,071.28	100.00%

Candela Distribution

	0.00°	22.50°	45.00°	67.50°	90.00°
0.00°	1,836.67	1,836.67	1,836.67	1,836.67	1,836.67
5.00°	1,796.96	1,759.31	1,806.91	1,799.00	1,799.30
10.00°	1,812.47	1,853.35	1,831.18	1,806.27	1,811.31
15.00°	1,917.85	1,917.27	1,881.73	1,797.68	1,800.14
20.00°	1,894.84	1,891.70	1,887.59	1,776.24	1,812.26
25.00°	1,829.72	1,864.63	1,803.41	1,783.21	1,698.91
30.00°	1,722.30	1,720.42	1,738.97	1,665.24	1,577.64
35.00°	1,589.61	1,586.21	1,581.72	1,550.40	1,441.99
40.00°	1,349.54	1,355.44	1,327.95	1,298.79	1,193.41
45.00°	908.32	917.97	947.35	922.17	862.00
50.00°	541.06	554.31	560.21	551.81	535.95
55.00°	385.31	385.41	382.34	387.15	383.40
60.00°	297.44	302.31	297.97	297.73	293.19
65.00°	227.99	222.69	220.20	221.76	222.60
70.00°	167.98	158.52	155.50	159.98	168.94
75.00°	108.03	109.47	107.83	109.39	105.71
80.00°	66.88	69.94	67.49	67.89	64.25
85.00°	37.71	38.59	37.28	38.27	35.84
90.00°	10.86	11.94	11.64	12.72	10.00

Spacing Criterion:

Two luminaires, plane 0°	1.35
Two luminaires, plane 90°	1.25
Four luminaires	1.28