

PROJECT:

NOTES:

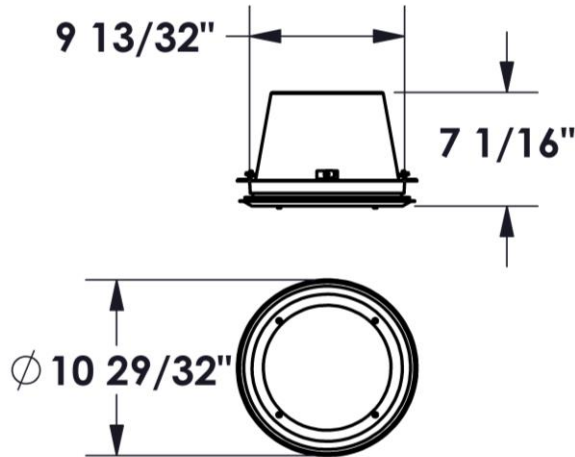
ORDERING INFORMATION:

EXAMPLE

PRRA - LED - 50 - 30 - A0 - M1 - EM - MV - DIM

SERIES SOURCE LUMENS KELVIN DIFFUSERS LENS OPTIONS VOLTAGE DRIVER

SHOP DRAWINGS



ORDERING INFORMATION

SERIES
PRRA

SOURCE
LED

LUMENS

Lumen Package*	Nom. Lumens	Wattage
20	2,000	19
40	4,000	42

*Other lumen packages available.

CRI
BLANK 80 CRI
9 90 CRI

KELVIN
30 3000K
35 3500K
40 4000K
50 5000K

DIFFUSERS
H5 White Opal
L1 Frosted

SECURITY LENS
M1 Clear Polycarbonate (0.125")
M4 Clear Polycarbonate (0.250")
M5 Clear Polycarbonate (0.375")
G1 Prismatic Polycarbonate (0.125")

OPTIONS
EM Cold Weather Rated (-40 Celsius)
CW

VOLTAGE
MV 120-277V
347 347V

DRIVER
BLANK Non-dimming applications
DM 0-10V dimming

FEATURES

- > Specification-grade LED luminaire for recessed anti-vandal and maximum security applications
- > Robust design with tamper-resistant fasteners, security lens
- > 14 gauge CRS single piece spun metal housing
- > Features outer polycarbonate security lens as well as inner diffuser for smooth and uniform illumination
- > Minimum 80 CRI; color range 3000K - 5000K available
- > Multiple dimming protocols available
- > Energy-saving occupancy sensor option available
- > Efficacies up to 107 lm/W
- > Gasketed optional
- > 100% made in Canada
- > Anti Ligature
- > IP66 for recessed applications
- > FED-STD-209E/Class 100 (ISO5) suitable

APPLICATIONS

- > Prison cells
- > Correctional facilities
- > Corridors
- > Locker rooms
- > Public areas
- > Schools
- > Stairwells

LED

FIXTURE PERFORMANCE DATA

SPECIFICATIONS

Housing – Single piece spun metal housing 14 gauge C.R.S.

Security Lens – Variety of robust polycarbonate lenses available (outer lens).

Diffuser – Variety of diffusers available for smooth and uniform illumination (inner lens).

Finish – Baked white enamel powder finish applied post production on all surfaces for smooth edges and safe handling

Electrical – High quality mid-power LED boards. L80 >50,000 hours.

Mounting – 14 gauge C.R.S plaster frame holds fixture tightly in place

- Listings** –
- cUL certified
 - IP66 certified

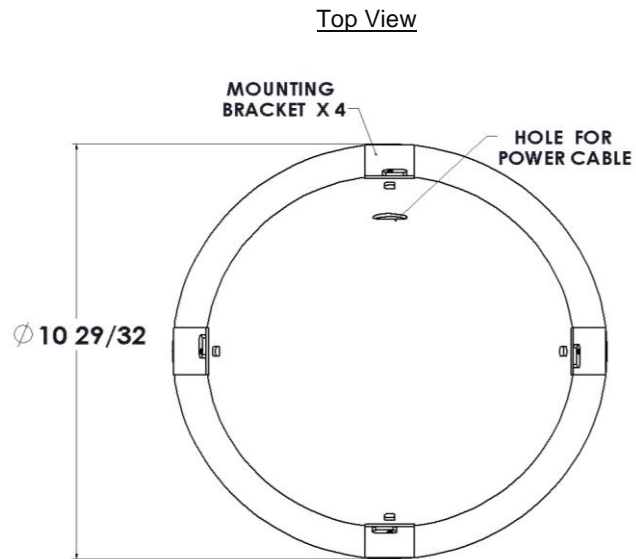
Warranty – 5-year limited warranty

LED PACKAGE	DELIVERED LUMENS	WATTAGE	EFFICACY (lm/W)
20	2,042	19	107
40	4,071	42	97

*Results based on 4000K, 80 CRI, Lens (M1), Diffuser (A0)

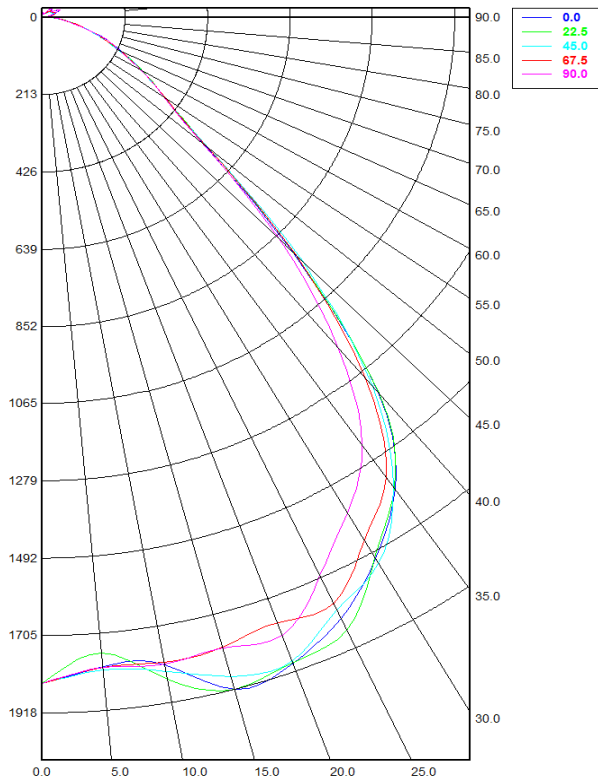
MULTIPLIER TABLE	
COLOR TEMPERATURE	
CCT/CRI	CONVERSION FACTOR
3000K / 80 CRI	0.95
3500K / 80 CRI	0.97
4000K / 80 CRI	1
5000K / 80 CRI	1.03

FIXTURE DETAILS



PHOTOMETRY

PRRA-LED-40-40-A0-M1-MVOLT Total Luminaire Output: 4,071 lumens; 42 Watts



Zonal Lumen Summary

Zone	Lumens	% Fixture
0.00° - 10.00°	183.42	4.51%
10.00° - 20.00°	524.94	12.89%
20.00° - 30.00°	823.59	20.23%
30.00° - 40.00°	953.47	23.42%
40.00° - 50.00°	702.98	17.27%
50.00° - 60.00°	359.32	8.83%
60.00° - 70.00°	222.70	5.47%
70.00° - 80.00°	117.03	2.87%
80.00° - 90.00°	42.08	1.03%
90.00° - 100.00°	16.31	0.40%
100.00° - 110.00°	31.50	0.77%
110.00° - 120.00°	32.55	0.80%
120.00° - 130.00°	24.93	0.61%
130.00° - 140.00°	17.93	0.44%
140.00° - 150.00°	9.71	0.24%
150.00° - 160.00°	5.06	0.12%
160.00° - 170.00°	2.65	0.07%
170.00° - 180.00°	1.10	0.03%
0.00° - 90.00°	3,929.54	96.52%
90.00° - 180.00°	141.74	3.48%
0.00° - 180.00°	4,071.28	100.00%

Candela Distribution

	0.00°	22.50°	45.00°	67.50°	90.00°
0.00°	1,836.67	1,836.67	1,836.67	1,836.67	1,836.67
5.00°	1,796.96	1,759.31	1,806.91	1,799.00	1,799.30
10.00°	1,812.47	1,853.35	1,831.18	1,806.27	1,811.31
15.00°	1,917.85	1,917.27	1,881.73	1,797.68	1,800.14
20.00°	1,894.84	1,891.70	1,887.59	1,776.24	1,812.26
25.00°	1,829.72	1,864.63	1,803.41	1,783.21	1,698.91
30.00°	1,722.30	1,720.42	1,738.97	1,665.24	1,577.64
35.00°	1,589.61	1,586.21	1,581.72	1,550.40	1,441.99
40.00°	1,349.54	1,355.44	1,327.95	1,298.79	1,193.41
45.00°	908.32	917.97	947.35	922.17	862.00
50.00°	541.06	554.31	560.21	551.81	535.95
55.00°	385.31	385.41	382.34	387.15	383.40
60.00°	297.44	302.31	297.97	297.73	293.19
65.00°	227.99	222.69	220.20	221.76	222.60
70.00°	167.98	158.52	155.50	159.98	168.94
75.00°	108.03	109.47	107.83	109.39	105.71
80.00°	66.88	69.94	67.49	67.89	64.25
85.00°	37.71	38.59	37.28	38.27	35.84
90.00°	10.86	11.94	11.64	12.72	10.00

Spacing Criterion:

Two luminaires, plane 0°	1.35
Two luminaires, plane 90°	1.25
Four luminaires	1.28