

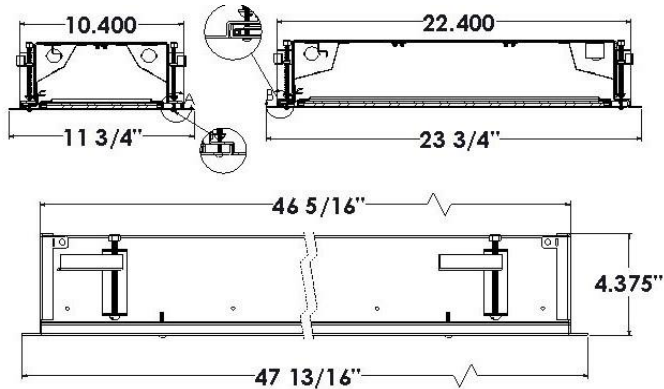
PROJECT:

NOTES:

ORDERING INFORMATION:

EXAMPLE PRPA - H - 24 - L - 60 - 9 - 40 - H5 - M4 - MV - EM - DM
 SERIES SECURITY NOM. LENGTH SOURCE LUMENS CRI KELVINS DIFFUSERS LENS VOLTAGE OPTION DRIVER

SHOP DRAWINGS



ORDERING INFORMATION

SERIES

| |
|------|
| PRPA |
|------|

KELVIN

| | |
|----|---------------|
| 30 | 3000K |
| 35 | 3500K |
| 40 | 4000K |
| 50 | 5000K |
| TW | Tunable White |

SECURITY LEVEL

| | |
|---|------------------------|
| X | Extra Heavy (12 gauge) |
| H | Heavy (14 gauge) |
| M | Medium (16 gauge) |
| L | Light (18 gauge) |

DIFFUSERS

| | |
|----|------------------------|
| A1 | Acrylic K12 (1/8") |
| L1 | Frosted Acrylic (1/8") |
| H5 | White Opal Underlay |

NOMINAL LENGTH

| | |
|----|-----------|
| 14 | 12" x 48" |
| 22 | 24" x 24" |
| 24 | 24" x 48" |

SECURITY LENS (NOMINAL THICKNESS)

| | |
|----|-----------------------------|
| M1 | Clear Polycarbonate (1/8") |
| M3 | Clear Polycarbonate (3/16") |
| M4 | Clear Polycarbonate (1/4") |
| M5 | Clear Polycarbonate (3/8") |
| M6 | Clear Polycarbonate (1/2") |
| T6 | Tempered Glass (1/2") |

SOURCE

| | |
|---|-----|
| L | LED |
|---|-----|

LUMENS

| Lumen Package* | Nom. Lumens | Wattage |
|------------------|-------------|---------|
| 12" x 48" | | |
| 30 | 3,000 | 23 |
| 40 | 4,000 | 30 |
| 50 | 5,000 | 38 |
| 24" x 24" | | |
| 30 | 3,000 | 23 |
| 40 | 4,000 | 30 |
| 50 | 5,000 | 38 |
| 24" x 48" | | |
| 40 | 4,000 | 27 |
| 60 | 6,000 | 41 |
| 80 | 8,000 | 55 |
| 150 | 15,000 | 123 |

*Other lumen packages available

VOLTAGE

| | |
|-----|----------|
| MV | 120-277V |
| 347 | 347V |

OPTIONS

| | |
|----|----------------------|
| EM | Emergency Powerpack |
| AM | Antimicrobial Finish |

DRIVERS

| | |
|-------|--------------------|
| BLANK | Non-Dimming Driver |
| DM | 0-10V Dimming |
| DA | DALI Driver |

Click on the following link for special driver options:
<https://bit.ly/2Fqz6qU>

CRI

| | |
|-------|--------|
| BLANK | 80 CRI |
| 9 | 90 CRI |

FEATURES

- > Specification-grade LED luminaire for anti-vandal and maximum security applications
- > Robust design with concealed hinges, tamper-resistant fasteners and contraband trapping backplate
- > Security lens secured with double frame fastened internally with multiple screws
- > Concealed piano hinge welded to door frame and fastened to backplate
- > Welded housing for additional structural strength
- > Minimum 80 CRI; color range 3000K - 5000K available
- > Multiple dimming protocols available
- > 100% made in Canada

APPLICATIONS

- > Correctional facilities
- > Corridors
- > Locker rooms
- > Public areas
- > Stairwells
- > Rough service applications
- > Anti Ligature

FIXTURE PERFORMANCE DATA

SPECIFICATIONS

Housing – Precision die-formed 12, 14,16, 18-gauge C.R.S. with continuously welded end plates

Door Frame – Single piece precision die formed frame with tamper-resistant fasteners and secure door frame to housing

Shielding – Variety of robust polycarbonate lenses available. Secured with internal frame.

Hinge – Piano style hinge with .500" knuckle and .125" pin welded to doorframe

Finish – Baked white enamel powder finish applied post production on all surfaces for smooth edges and safe handling

Electrical – High quality mid-power LED boards. L85 >50,000 hours.

Mounting – Recessed plaster ceiling. We strongly recommend to add wire hangers on each earthquake clips/brackets (see fixture details)

Listings –

■ cUL certified as luminaire suitable for dry or damp locations.

Warranty – 5-year limited warranty

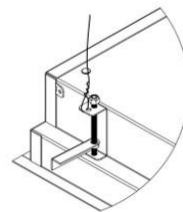
| LED PACKAGE | DELIVERED LUMENS | WATTAGE | EFFICACY (lm/W) |
|-------------|------------------|---------|-----------------|
| 12" x 48" | | | |
| 30 | 3,062 | 23 | 133 |
| 40 | 4,008 | 30 | 134 |
| 50 | 5,043 | 38 | 133 |
| 24" x 24" | | | |
| 30 | 3,120 | 23 | 136 |
| 40 | 4,091 | 30 | 136 |
| 50 | 5,146 | 38 | 135 |
| 24" x 48" | | | |
| 40 | 4,191 | 27 | 155 |
| 60 | 6,283 | 41 | 153 |
| 80 | 8,375 | 55 | 152 |

*Results based on 4000K, 80 CRI, Diffuser (A0), Lens (M1)

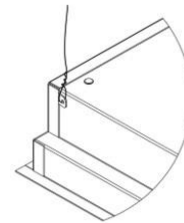
| MULTIPLIER TABLE | |
|-------------------|-------------------|
| COLOR TEMPERATURE | |
| CCT/CRI | CONVERSION FACTOR |
| 3000K / 80 CRI | 0.95 |
| 3500K / 80 CRI | 0.97 |
| 4000K / 80 CRI | 1 |
| 5000K / 80 CRI | 1.03 |

FIXTURE DETAILS

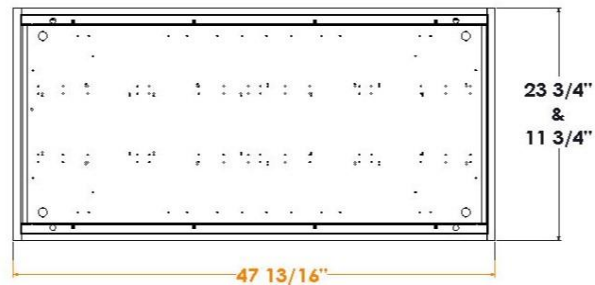
Hanging brackets to secure housing to structure (wires not supplied by PA-CO)



Plaster ceiling / Flange

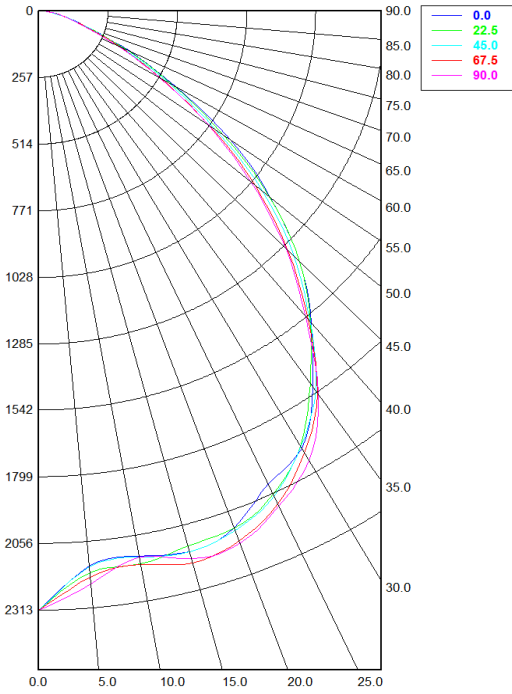


T-Bar



PHOTOMETRY

PRPA-H-22-LED-50-40-A0-M1-MVOLT Total Luminaire Output: 5,146 lumens; 38 Watts



Candela Distribution

| | 0.00° | 22.50° | 45.00° | 67.50° | 90.00° |
|--------|----------|----------|----------|----------|----------|
| 0.00° | 2,312.54 | 2,312.54 | 2,312.54 | 2,312.54 | 2,312.54 |
| 5.00° | 2,151.79 | 2,176.34 | 2,154.94 | 2,194.60 | 2,220.54 |
| 10.00° | 2,136.49 | 2,167.35 | 2,140.36 | 2,169.45 | 2,142.05 |
| 15.00° | 2,160.64 | 2,138.11 | 2,161.74 | 2,206.05 | 2,189.93 |
| 20.00° | 2,121.40 | 2,124.09 | 2,131.64 | 2,175.39 | 2,186.14 |
| 25.00° | 2,015.89 | 2,060.50 | 2,068.38 | 2,101.17 | 2,110.38 |
| 30.00° | 1,951.72 | 1,943.28 | 1,944.52 | 1,972.27 | 2,005.00 |
| 35.00° | 1,773.92 | 1,756.71 | 1,792.63 | 1,803.03 | 1,811.01 |
| 40.00° | 1,575.09 | 1,569.19 | 1,567.99 | 1,555.30 | 1,541.66 |
| 45.00° | 1,371.83 | 1,371.27 | 1,340.02 | 1,309.84 | 1,299.24 |
| 50.00° | 1,125.61 | 1,122.47 | 1,089.11 | 1,046.17 | 1,024.12 |
| 55.00° | 866.86 | 839.07 | 800.54 | 770.86 | 762.41 |
| 60.00° | 586.80 | 576.76 | 552.81 | 521.64 | 520.73 |
| 65.00° | 374.32 | 365.64 | 344.62 | 333.55 | 324.69 |
| 70.00° | 210.08 | 208.43 | 201.28 | 194.86 | 187.04 |
| 75.00° | 116.59 | 117.54 | 116.70 | 112.73 | 114.11 |
| 80.00° | 62.21 | 64.00 | 65.39 | 62.35 | 61.51 |
| 85.00° | 24.40 | 24.06 | 24.25 | 23.81 | 22.13 |
| 90.00° | 5.54 | 6.48 | 5.26 | 5.33 | 5.02 |

Zonal Lumen Summary

| Zone | Lumens | % Fixture |
|-------------------|----------|-----------|
| 0.00° - 10.00° | 220.40 | 4.28% |
| 10.00° - 20.00° | 611.60 | 11.88% |
| 20.00° - 30.00° | 950.00 | 18.46% |
| 30.00° - 40.00° | 1,105.42 | 21.48% |
| 40.00° - 50.00° | 1,021.76 | 19.85% |
| 50.00° - 60.00° | 720.27 | 13.99% |
| 60.00° - 70.00° | 355.59 | 6.91% |
| 70.00° - 80.00° | 130.02 | 2.53% |
| 80.00° - 90.00° | 31.66 | 0.62% |
| 90.00° - 100.00° | 1.53 | 0.03% |
| 100.00° - 110.00° | 0.00 | 0.00% |
| 110.00° - 120.00° | 0.00 | 0.00% |
| 120.00° - 130.00° | 0.00 | 0.00% |
| 130.00° - 140.00° | 0.00 | 0.00% |
| 140.00° - 150.00° | 0.00 | 0.00% |
| 150.00° - 160.00° | 0.00 | 0.00% |
| 160.00° - 170.00° | 0.00 | 0.00% |
| 170.00° - 180.00° | 0.00 | 0.00% |
| 0.00° - 90.00° | 5,146.71 | 100.00% |
| 90.00° - 180.00° | 1.53 | 0.03% |
| 0.00° - 180.00° | 5,146.71 | 100.00% |

Spacing Criterion:

| | |
|---------------------------|------|
| Two luminaires, plane 0° | 1.24 |
| Two luminaires, plane 90° | 1.26 |
| Four luminaires | 1.3 |