

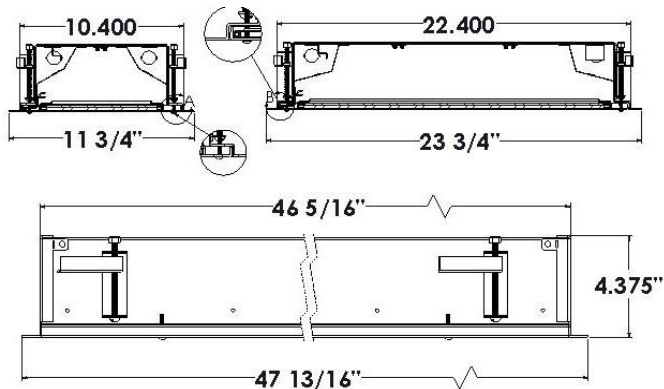
PROJECT:

NOTES:

ORDERING INFORMATION:

EXAMPLE PRPA - H - 24 - L - 60 - 9 - 40 - H5 - M4 - MV - EM - CN3 - DM
SERIES SECURITY NOM. LENGTH SOURCE LUMENS CRI KELVINS DIFFUSERS LENS VOLTAGE OPTION CONTROLS DRIVER

SHOP DRAWINGS



ORDERING INFORMATION

SERIES	
PRPA	
SECURITY LEVEL	
X	Extra Heavy (12 gauge)
H	Heavy (14 gauge)
M	Medium (16 gauge)
L	Light (18 gauge)

KELVIN	
30	3000K
35	3500K
40	4000K
50	5000K
TW	Tunable White

NOMINAL LENGTH	
14	12"x 48"
22	24"x 24"
24	24"x 48"

DIFFUSERS	
A0	Acrylic K12
L1	Frosted
H5	White Opal

SOURCE	
L	LED

SECURITY LENS	
M1	Clear Polycarbonate (0.125")
M4	Clear Polycarbonate (0.250")
M5	Clear Polycarbonate (0.375")
M6	Clear Polycarbonate (0.500")
T3	Tempered Glass (0.187")
T6	Tempered Glass (0.500")

LUMENS		
Lumen Package*	Nom. Lumens	Wattage
12" x 48"		
30	3,000	23
40	4,000	30
50	5,000	38
24" x 24"		
30	3,000	23
40	4,000	30
50	5,000	38
24" x 48"		
40	4,000	27
60	6,000	41
80	8,000	55

VOLTAGE	
MV	120-277V
347	347V

OPTIONS	
AM	Anti-microbial paint
EM	Emergency Power Pack
SSH	Stainless Steel Housing Painted White

CONTROLS
 Click on the following link for control options:
<https://bit.ly/2KzMuAx>

CRI	
BLANK	80 CRI
9	90 CRI

DRIVER	
BLANK	Non-dimming applications
DM	Dimming applications

FEATURES

- > Specification-grade LED luminaire for anti-vandal and maximum security applications
- > Robust design with concealed hinges, tamper-resistant fasteners and contraband trapping backplate
- > Security lens secured with double frame fastened internally with multiple screws
- > Concealed piano hinge welded to door frame and fastened to backplate
- > Welded housing for additional structural strength
- > Minimum 80 CRI; color range 3000K - 5000K available
- > Multiple dimming protocols available
- > 100% made in Canada

APPLICATIONS

- > Correctional facilities
- > Corridors
- > Locker rooms
- > Public areas
- > Stairwells
- > Rough service applications
- > Anti Ligature

LED

FIXTURE PERFORMANCE DATA

SPECIFICATIONS

Housing – Precision die-formed 12, 14,16, 18-gauge C.R.S. with continuously welded end plates

Door Frame – Single piece precision die formed frame with tamper-resistant fasteners and secure door frame to housing

Shielding – Variety of robust polycarbonate lenses available. Secured with internal frame.

Hinge – Piano style hinge with .500" knuckle and .125" pin welded to doorframe

Finish – Baked white enamel powder finish applied post production on all surfaces for smooth edges and safe handling

Electrical – High quality mid-power LED boards. L85 >50,000 hours.

Mounting – Recessed plaster ceiling. We strongly recommend to add wire hangers on each earthquake clips/brackets (see fixture details)

Listings –

■ cUL certified as luminaire suitable for dry or damp locations.

Warranty – 5-year limited warranty

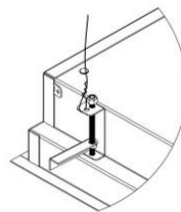
LED PACKAGE	DELIVERED LUMENS	WATTAGE	EFFICACY (lm/W)
12" x 48"			
30	3,062	23	133
40	4,008	30	134
50	5,043	38	133
24" x 24"			
30	3,120	23	136
40	4,091	30	136
50	5,146	38	135
24" x 48"			
40	4,191	27	155
60	6,283	41	153
80	8,375	55	152

*Results based on 4000K, 80 CRI, Diffuser (A0), Lens (M1)

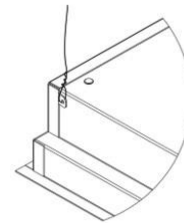
MULTIPLIER TABLE	
COLOR TEMPERATURE	
CCT/CRI	CONVERSION FACTOR
3000K / 80 CRI	0.95
3500K / 80 CRI	0.97
4000K / 80 CRI	1
5000K / 80 CRI	1.03

FIXTURE DETAILS

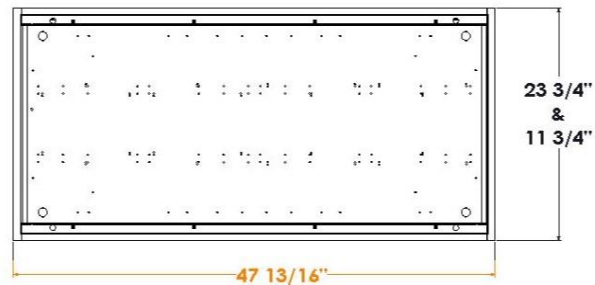
Hanging brackets to secure housing to structure (wires not supplied by PA-CO)



Plaster ceiling / Flange

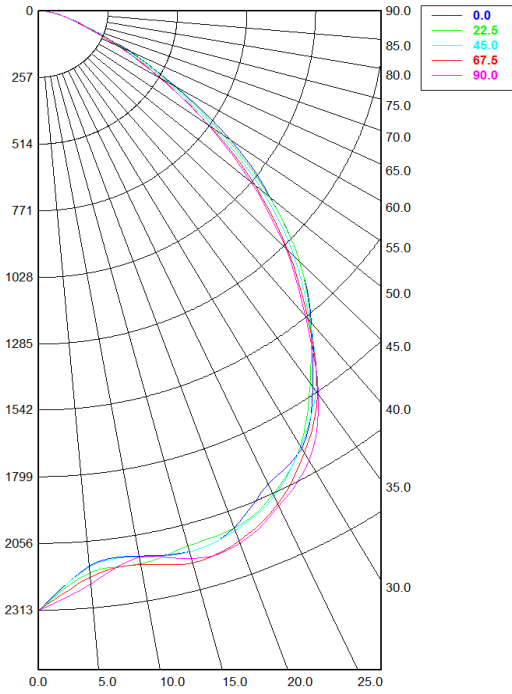


T-Bar



PHOTOMETRY

PRPA-H-22-LED-50-40-A0-M1-MVOLT Total Luminaire Output: 5,146 lumens; 38 Watts



Candela Distribution

	0.00°	22.50°	45.00°	67.50°	90.00°
0.00°	2,312.54	2,312.54	2,312.54	2,312.54	2,312.54
5.00°	2,151.79	2,176.34	2,154.94	2,194.60	2,220.54
10.00°	2,136.49	2,167.35	2,140.36	2,169.45	2,142.05
15.00°	2,160.64	2,138.11	2,161.74	2,206.05	2,189.93
20.00°	2,121.40	2,124.09	2,131.64	2,175.39	2,186.14
25.00°	2,015.89	2,060.50	2,068.38	2,101.17	2,110.38
30.00°	1,951.72	1,943.28	1,944.52	1,972.27	2,005.00
35.00°	1,773.92	1,756.71	1,792.63	1,803.03	1,811.01
40.00°	1,575.09	1,569.19	1,567.99	1,555.30	1,541.66
45.00°	1,371.83	1,371.27	1,340.02	1,309.84	1,299.24
50.00°	1,125.61	1,122.47	1,089.11	1,046.17	1,024.12
55.00°	866.86	839.07	800.54	770.86	762.41
60.00°	586.80	576.76	552.81	521.64	520.73
65.00°	374.32	365.64	344.62	333.55	324.69
70.00°	210.08	208.43	201.28	194.86	187.04
75.00°	116.59	117.54	116.70	112.73	114.11
80.00°	62.21	64.00	65.39	62.35	61.51
85.00°	24.40	24.06	24.25	23.81	22.13
90.00°	5.54	6.48	5.26	5.33	5.02

Zonal Lumen Summary

Zone	Lumens	% Fixture
0.00° - 10.00°	220.40	4.28%
10.00° - 20.00°	611.60	11.88%
20.00° - 30.00°	950.00	18.46%
30.00° - 40.00°	1,105.42	21.48%
40.00° - 50.00°	1,021.76	19.85%
50.00° - 60.00°	720.27	13.99%
60.00° - 70.00°	355.59	6.91%
70.00° - 80.00°	130.02	2.53%
80.00° - 90.00°	31.66	0.62%
90.00° - 100.00°	1.53	0.03%
100.00° - 110.00°	0.00	0.00%
110.00° - 120.00°	0.00	0.00%
120.00° - 130.00°	0.00	0.00%
130.00° - 140.00°	0.00	0.00%
140.00° - 150.00°	0.00	0.00%
150.00° - 160.00°	0.00	0.00%
160.00° - 170.00°	0.00	0.00%
170.00° - 180.00°	0.00	0.00%
0.00° - 90.00°	5,146.71	100.00%
90.00° - 180.00°	1.53	0.03%
0.00° - 180.00°	5,146.71	100.00%

Spacing Criterion:

Two luminaires, plane 0°	1.24
Two luminaires, plane 90°	1.26
Four luminaires	1.3