

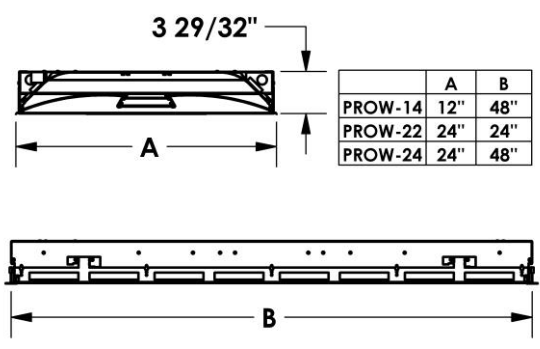
PROJECT:

NOTES:

ORDERING INFORMATION:

EXAMPLE PROW - 22 - LED - 30 - 35 - MVOLT - DIM
 SERIES NOM. LENGTH SOURCE LUMENS KELVINS VOLTAGE DRIVER

SHOP DRAWINGS



ORDERING INFORMATION

SERIES	KELVIN
PROW	30 3000K 35 3500K 40 4000K 50 5000K TW Tunable White
NOMINAL LENGTH	
14	12"x 48"
22	24"x 24"
24	24"x 48"
SOURCE	VOLTAGE
LED	MVOLT 120-277V 347 347V
LUMENS	DRIVER
	BLANK Non-dimming applications DIM Dimming applications

FEATURES

- > Premium architectural LED recessed luminaire for applications requiring clean aesthetics, energy efficiency and comfortable illumination
- > Single-piece luminous lens delivers balanced lighting to walls, cubicles and work surfaces
- > Ideal for shallow or obstructed plenum applications
- > Wide selection of LED packages available
- > Minimum 80 CRI; color range 3000K - 5000K available
- > Tunable White option available
- > Multiple dimming protocols available
- > Variety of lens options available upon request
- > Efficacies up to 159 lm/W
- > 100% made in Canada

APPLICATIONS

- > Offices
- > Schools
- > Retail Stores
- > Commercial Applications
- > Hospitals
- > Nursing Homes

Lumen Package*	Nom. Lumens	Wattage
12" x 48"		
30	3,000	22
40	4,000	29
50	5,000	36
24" x 24"		
30	3,000	23
40	4,000	31
50	5,000	40
24" x 48"		
30	3,000	22
40	4,000	29
50	5,000	32

Nominal lumen output based on 4000 CCT.
 May vary +/-5%. See fixture performance data.

*Other lumen packages available. Specify in increments of 100 nominal lumens.
 For example, to specify 4,700 nominal lumens:
 PROW - [...] - 47 - [...]

FIXTURE PERFORMANCE DATA

SPECIFICATIONS

Housing – Precision die-formed 20-gauge C.R.S. with 0.060" extruded aluminum central lens housing

Center Lens – PMMA Precision formed microconical structure 92 percent transmission, cuts off glare above 550

Finish – Baked white enamel powder finish applied post production on all surfaces for smooth edges and safe handling.

Electrical – High quality mid-power LED boards. L85 >50,000 hours

Mounting – T-Bar ceilings

Listings –

- CSA certified as luminaire suitable for dry or damp locations.

- cUL certified as luminaire suitable for dry or damp locations.

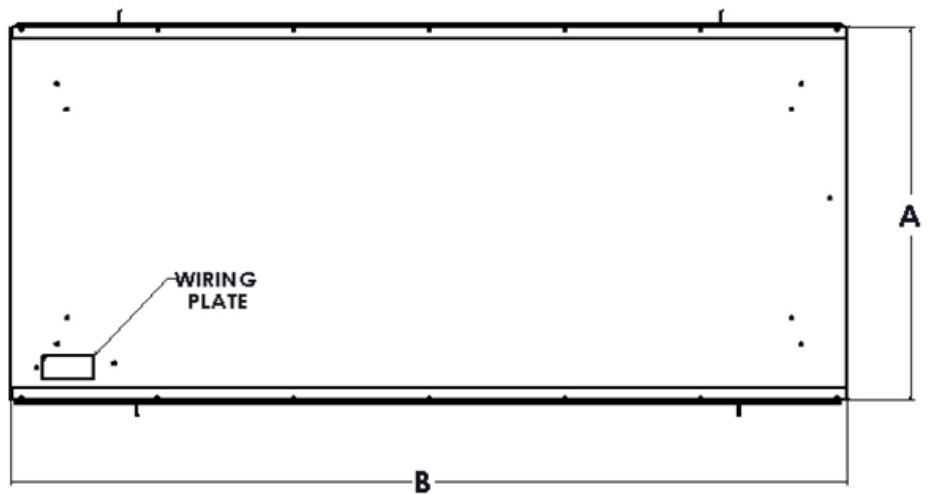
Warranty – 5-year limited warranty

LED PACKAGE	DELIVERED LUMENS	WATTAGE	EFFICACY (lm/W)
12" x 48"			
30	3,315	22	150
40	4,416	29	152
50	5,516	36	153
24" x 24"			
30	3,145	23	137
40	4,190	31	135
50	5,244	40	131
24" x 48"			
30	3,439	22	156
40	4,577	29	158
50	5,095	32	159

*Results based on 4000K, 80 CRI

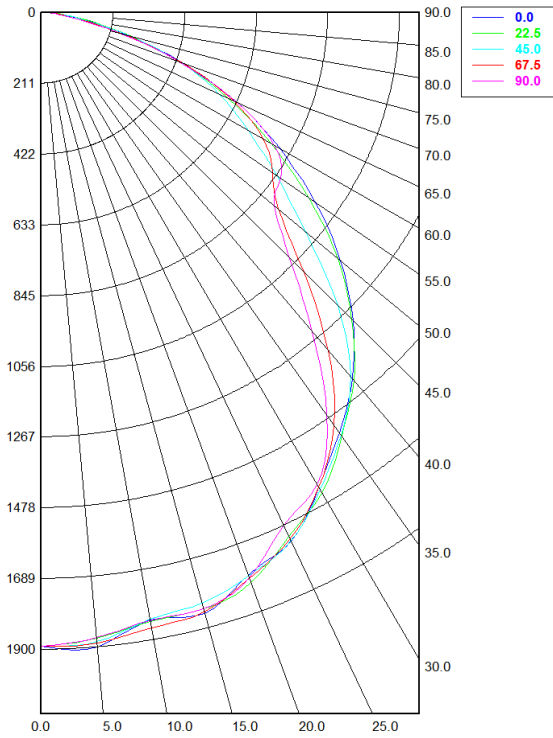
MULTIPLIER TABLE	
COLOR TEMPERATURE	
CCT/CRI	CONVERSION FACTOR
3000K / 80 CRI	0.95
3500K / 80 CRI	0.97
4000K / 80 CRI	1
5000K / 80 CRI	1.03

FIXTURE DETAILS



PHOTOMETRY

PROW-24-LED-50-40-A0-MVOLT Total Luminaire Output: 5,095 lumens; 32 Watts



Candela Distribution

	0.00°	22.50°	45.00°	67.50°	90.00°
0.00°	1,890.37	1,890.37	1,890.37	1,890.37	1,890.37
5.00°	1,900.35	1,875.07	1,885.55	1,889.52	1,873.36
10.00°	1,842.22	1,846.44	1,839.08	1,864.97	1,842.60
15.00°	1,856.64	1,843.67	1,825.92	1,852.85	1,842.48
20.00°	1,785.49	1,809.34	1,788.55	1,795.19	1,793.43
25.00°	1,742.34	1,726.19	1,741.42	1,735.90	1,689.71
30.00°	1,637.24	1,656.97	1,645.67	1,637.57	1,628.13
35.00°	1,532.34	1,545.22	1,541.80	1,506.74	1,469.50
40.00°	1,427.67	1,434.74	1,420.00	1,317.10	1,242.75
45.00°	1,300.12	1,294.75	1,236.59	1,095.42	1,037.33
50.00°	1,152.43	1,142.90	1,017.86	909.95	894.67
55.00°	988.52	963.66	845.09	830.86	859.90
60.00°	810.31	781.08	702.35	753.86	792.07
65.00°	633.43	608.07	579.23	621.82	636.67
70.00°	444.60	435.30	434.16	441.25	430.67
75.00°	255.82	270.33	262.80	243.74	238.77
80.00°	123.66	135.03	124.49	96.88	86.37
85.00°	41.35	48.18	38.14	34.02	33.49
90.00°	7.59	7.25	5.67	5.94	6.15

Spacing Criterion:

Two luminaires, plane 0°	1.27
Two luminaires, plane 90°	1.25
Four luminaires	1.37

Zonal Lumen Summary

Zone	Lumens	% Fixture
0.00° - 10.00°	189.28	3.71%
10.00° - 20.00°	517.74	10.16%
20.00° - 30.00°	794.23	15.59%
30.00° - 40.00°	946.76	18.58%
40.00° - 50.00°	922.11	18.10%
50.00° - 60.00°	795.24	15.61%
60.00° - 70.00°	596.42	11.70%
70.00° - 80.00°	279.27	5.48%
80.00° - 90.00°	54.43	1.07%
90.00° - 100.00°	1.76	0.03%
100.00° - 110.00°	0.00	0.00%
110.00° - 120.00°	0.00	0.00%
120.00° - 130.00°	0.00	0.00%
130.00° - 140.00°	0.00	0.00%
140.00° - 150.00°	0.00	0.00%
150.00° - 160.00°	0.00	0.00%
160.00° - 170.00°	0.00	0.00%
170.00° - 180.00°	0.00	0.00%
0.00° - 90.00°	5,095.47	100.00%
90.00° - 180.00°	1.76	0.03%
0.00° - 180.00°	5,095.47	100.00%

