

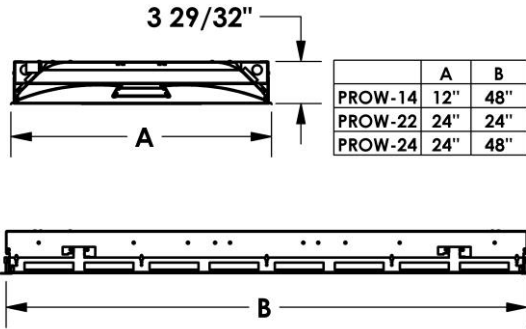
PROJECT:

NOTES:

ORDERING INFORMATION:

EXAMPLE	PROW - 22 - LED - 9 - 30 - 35 - MV EM DM							
SERIES	NOM. LENGTH	SOURCE	CRI	LUMENS	KELVINS	VOLTAGE	OPTIONS	DRIVER

SHOP DRAWINGS



ORDERING INFORMATION

SERIES	
PROW	
NOMINAL LENGTH	
14	12"x 48"
22	24"x 24"
24	24"x 48"

KELVIN	
30	3000K
35	3500K
40	4000K
50	5000K
TW	Tunable White

VOLTAGE	
MV	120-277V
347	347V

SOURCE	
LED	

OPTIONS	
EM	Emergency Power Pack

LUMENS

DRIVER	
BLANK	Non-dimming applications
DM	0-10V dimming
DA	DALI

Click on the following link for special driver options:
<https://bit.ly/2FaZ6qU>

Lumen Package*	Nom. Lumens	Wattage
12" x 48"		
30	3,000	27
40	4,000	38
50	5,000	46
24" x 24"		
30	3,000	28
40	4,000	37
50	5,000	46
24" x 48"		
30	3,000	27
40	4,000	36
50	5,000	48

*Other lumen packages available

CRI	
BLANK	80 CRI
9	90 CRI

FEATURES

- > Premium architectural LED recessed luminaire for applications requiring clean aesthetics, energy efficiency and comfortable illumination
- > Single-piece luminous lens delivers balanced lighting to walls, cubicles and work surfaces
- > Ideal for shallow or obstructed plenum applications
- > Wide selection of LED packages available
- > Minimum 80 CRI; color range 3000K - 5000K available
- > Tunable White option available
- > Multiple dimming protocols available
- > Variety of lens options available upon request
- > Efficacies up to 159 lm/W
- > 100% made in Canada

APPLICATIONS

- > Offices
- > Schools
- > Retail Stores
- > Commercial Applications
- > Hospitals
- > Nursing Homes

FIXTURE PERFORMANCE DATA

SPECIFICATIONS

Housing – Precision die-formed 20-gauge C.R.S. with 0.060" extruded aluminum central lens housing

Center Lens – PMMA Precision formed microconical structure 92 percent transmission, cuts off glare above 550

Finish – Baked white enamel powder finish applied post production on all surfaces for smooth edges and safe handling.

Electrical – High quality mid-power LED boards. L85 >50,000 hours

Mounting – T-Bar ceilings

Listings –

■ cUL certified as luminaire suitable for dry or damp locations.

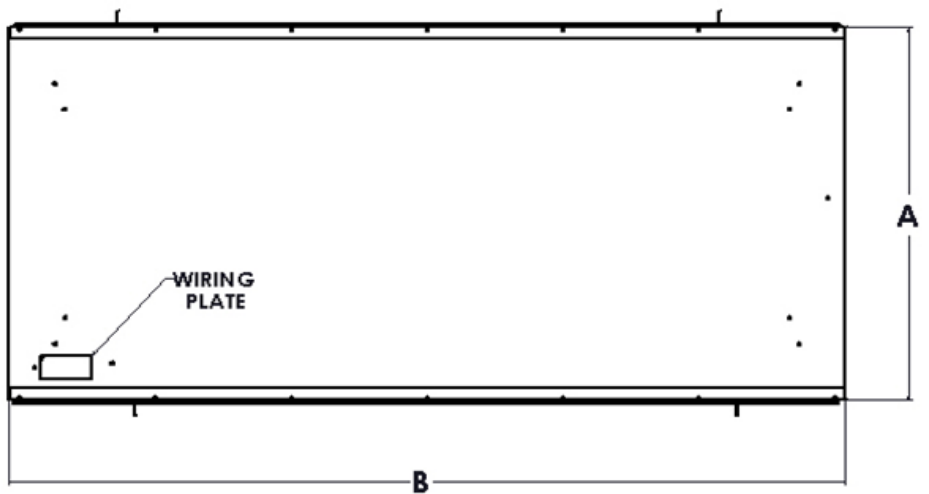
Warranty – 5-year limited warranty

LED PACKAGE	DELIVERED LUMENS	WATTAGE	EFFICACY (lm/W)
12" x 48"			
30	2,989	27	110
40	4,001	38	105
50	4,998	46	108
24" x 24"			
30	3,002	28	107
40	4,113	37	111
50	5,065	48	105
24" x 48"			
30	2,976	27	110
40	4,023	36	112
50	5,095	48	106

*Results based on 4000K, 80 CRI

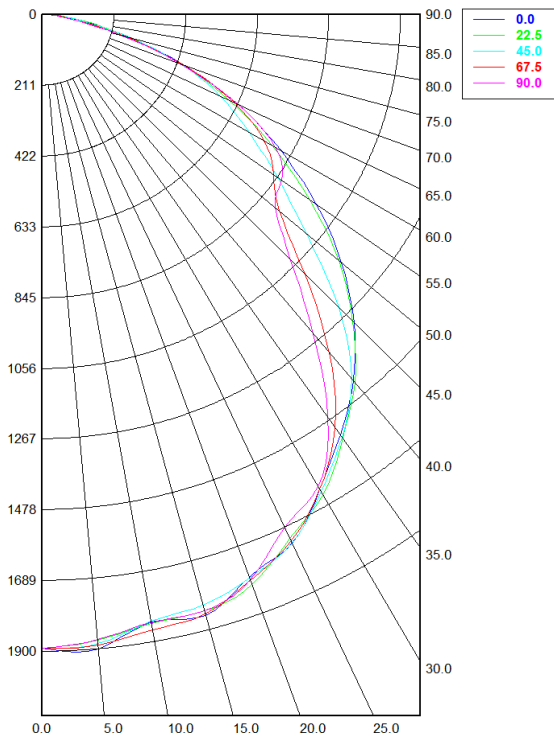
MULTIPLIER TABLE	
COLOR TEMPERATURE	
CCT/CRI	CONVERSION FACTOR
3000K / 80 CRI	0.95
3500K / 80 CRI	0.97
4000K / 80 CRI	1
5000K / 80 CRI	1.03

FIXTURE DETAILS



PHOTOMETRY

PROW-24-LED-50-40-MV Total Luminaire Output: 5,095 lumens; 48 Watts



Candela Distribution

	0.00°	22.50°	45.00°	67.50°	90.00°
0.00°	1,890.37	1,890.37	1,890.37	1,890.37	1,890.37
5.00°	1,900.35	1,875.07	1,885.55	1,889.52	1,873.36
10.00°	1,842.22	1,846.44	1,839.08	1,864.97	1,842.60
15.00°	1,856.64	1,843.67	1,825.92	1,852.85	1,842.48
20.00°	1,785.49	1,809.34	1,788.55	1,795.19	1,793.43
25.00°	1,742.34	1,726.19	1,741.42	1,735.90	1,689.71
30.00°	1,637.24	1,656.97	1,645.67	1,637.57	1,628.13
35.00°	1,532.34	1,545.22	1,541.80	1,506.74	1,469.50
40.00°	1,427.67	1,434.74	1,420.00	1,317.10	1,242.75
45.00°	1,300.12	1,294.75	1,236.59	1,095.42	1,037.33
50.00°	1,152.43	1,142.90	1,017.86	909.95	894.67
55.00°	988.52	963.66	845.09	830.86	859.90
60.00°	810.31	781.08	702.35	753.86	792.07
65.00°	633.43	608.07	579.23	621.82	636.67
70.00°	444.60	435.30	434.16	441.25	430.67
75.00°	255.82	270.33	262.80	243.74	238.77
80.00°	123.66	135.03	124.49	96.88	86.37
85.00°	41.35	48.18	38.14	34.02	33.49
90.00°	7.59	7.25	5.67	5.94	6.15

Spacing Criterion:

Two luminaires, plane 0°	1.27
Two luminaires, plane 90°	1.25
Four luminaires	1.37

Zonal Lumen Summary

Zone	Lumens	% Fixture
0.00° - 10.00°	189.28	3.71%
10.00° - 20.00°	517.74	10.16%
20.00° - 30.00°	794.23	15.59%
30.00° - 40.00°	946.76	18.58%
40.00° - 50.00°	922.11	18.10%
50.00° - 60.00°	795.24	15.61%
60.00° - 70.00°	596.42	11.70%
70.00° - 80.00°	279.27	5.48%
80.00° - 90.00°	54.43	1.07%
90.00° - 100.00°	1.76	0.03%
100.00° - 110.00°	0.00	0.00%
110.00° - 120.00°	0.00	0.00%
120.00° - 130.00°	0.00	0.00%
130.00° - 140.00°	0.00	0.00%
140.00° - 150.00°	0.00	0.00%
150.00° - 160.00°	0.00	0.00%
160.00° - 170.00°	0.00	0.00%
170.00° - 180.00°	0.00	0.00%
0.00° - 90.00°	5,095.47	100.00%
90.00° - 180.00°	1.76	0.03%
0.00° - 180.00°	5,095.47	100.00%