

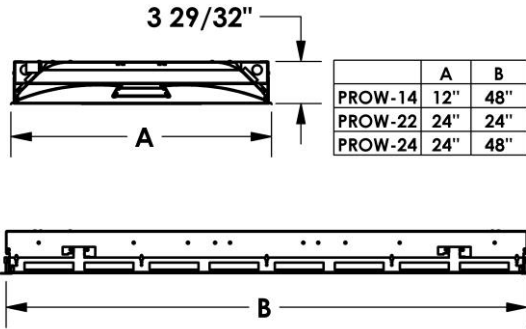
PROJECT:

NOTES:

ORDERING INFORMATION:

**EXAMPLE** PROW - 22 - LED - 9 - 30 - 35 - MV EM DM  
 SERIES NOM. LENGTH SOURCE CRI LUMENS KELVINS VOLTAGE OPTIONS DRIVER

SHOP DRAWINGS



ORDERING INFORMATION

SERIES	NOMINAL LENGTH
PROW	14, 22, 24
	12" x 48", 24" x 24", 24" x 48"

KELVIN	TEMPERATURE
30	3000K
35	3500K
40	4000K
50	5000K
TW	Tunable White

VOLTAGE	VOLTAGE RANGE
MV	120-277V
347	347V

SOURCE  
LED

OPTIONS	DESCRIPTION
EM	Emergency Power Pack

LUMENS

DRIVER	DESCRIPTION
BLANK	Non-dimming applications
DM	0-10V dimming
DA	DALI

Click on the following link for special driver options:  
<https://bit.ly/2FaZ6qU>

Lumen Package*	Nom. Lumens	Wattage
<b>12" x 48"</b>		
30	3,000	27
40	4,000	38
50	5,000	46
<b>24" x 24"</b>		
30	3,000	28
40	4,000	37
50	5,000	46
<b>24" x 48"</b>		
30	3,000	27
40	4,000	36
50	5,000	48

\*Other lumen packages available

CRI	VALUE
BLANK	80 CRI
9	90 CRI

FEATURES

- > Premium architectural LED recessed luminaire for applications requiring clean aesthetics, energy efficiency and comfortable illumination
- > Single-piece luminous lens delivers balanced lighting to walls, cubicles and work surfaces
- > Ideal for shallow or obstructed plenum applications
- > Wide selection of LED packages available
- > Minimum 80 CRI; color range 3000K - 5000K available
- > Tunable White option available
- > Multiple dimming protocols available
- > Variety of lens options available upon request
- > Efficacies up to 159 lm/W
- > 100% made in Canada

APPLICATIONS

- > Offices
- > Schools
- > Retail Stores
- > Commercial Applications
- > Hospitals
- > Nursing Homes

FIXTURE PERFORMANCE DATA

SPECIFICATIONS

**Housing** – Precision die-formed 20-gauge C.R.S. with 0.060" extruded aluminum central lens housing

**Center Lens** – PMMA Precision formed microconical structure 92 percent transmission, cuts off glare above 550

**Finish** – Baked white enamel powder finish applied post production on all surfaces for smooth edges and safe handling.

**Electrical** – High quality mid-power LED boards. L85 >50,000 hours

**Mounting** – T-Bar ceilings

**Listings** –

- CSA certified as luminaire suitable for dry or damp locations.

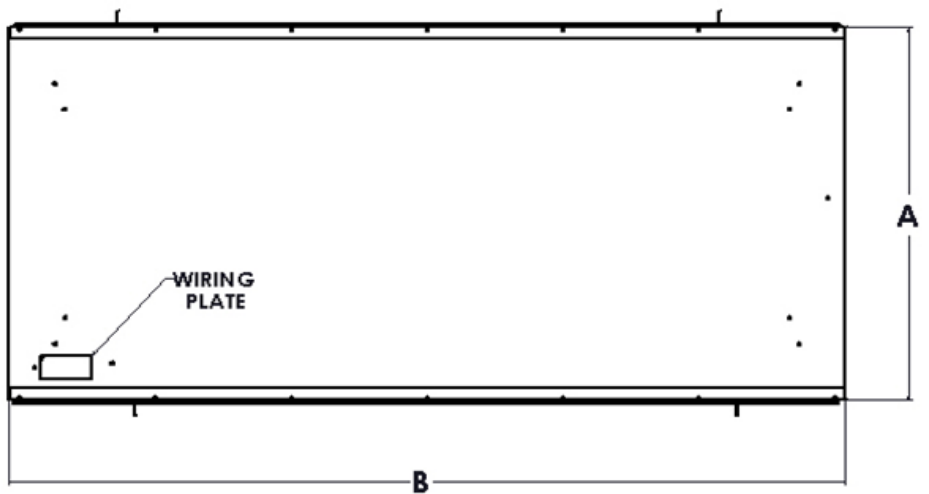
**Warranty** – 5-year limited warranty

LED PACKAGE	DELIVERED LUMENS	WATTAGE	EFFICACY (lm/W)
12" x 48"			
30	2,989	27	110
40	4,001	38	105
50	4,998	46	108
24" x 24"			
30	3,002	28	107
40	4,113	37	111
50	5,065	48	105
24" x 48"			
30	2,976	27	110
40	4,023	36	112
50	5,095	48	106

\*Results based on 4000K, 80 CRI

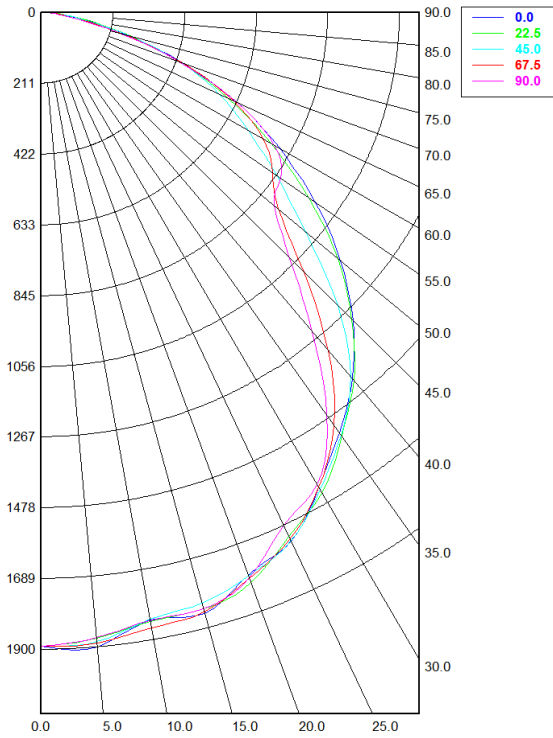
MULTIPLIER TABLE	
COLOR TEMPERATURE	
CCT/CRI	CONVERSION FACTOR
3000K / 80 CRI	0.95
3500K / 80 CRI	0.97
4000K / 80 CRI	1
5000K / 80 CRI	1.03

FIXTURE DETAILS



PHOTOMETRY

PROW-24-LED-50-40-MV Total Luminaire Output: 5,095 lumens; 48 Watts



Candela Distribution

	0.00°	22.50°	45.00°	67.50°	90.00°
0.00°	1,890.37	1,890.37	1,890.37	1,890.37	1,890.37
5.00°	1,900.35	1,875.07	1,885.55	1,889.52	1,873.36
10.00°	1,842.22	1,846.44	1,839.08	1,864.97	1,842.60
15.00°	1,856.64	1,843.67	1,825.92	1,852.85	1,842.48
20.00°	1,785.49	1,809.34	1,788.55	1,795.19	1,793.43
25.00°	1,742.34	1,726.19	1,741.42	1,735.90	1,689.71
30.00°	1,637.24	1,656.97	1,645.67	1,637.57	1,628.13
35.00°	1,532.34	1,545.22	1,541.80	1,506.74	1,469.50
40.00°	1,427.67	1,434.74	1,420.00	1,317.10	1,242.75
45.00°	1,300.12	1,294.75	1,236.59	1,095.42	1,037.33
50.00°	1,152.43	1,142.90	1,017.86	909.95	894.67
55.00°	988.52	963.66	845.09	830.86	859.90
60.00°	810.31	781.08	702.35	753.86	792.07
65.00°	633.43	608.07	579.23	621.82	636.67
70.00°	444.60	435.30	434.16	441.25	430.67
75.00°	255.82	270.33	262.80	243.74	238.77
80.00°	123.66	135.03	124.49	96.88	86.37
85.00°	41.35	48.18	38.14	34.02	33.49
90.00°	7.59	7.25	5.67	5.94	6.15

Spacing Criterion:

Two luminaires, plane 0°	1.27
Two luminaires, plane 90°	1.25
Four luminaires	1.37

Zonal Lumen Summary

Zone	Lumens	% Fixture
0.00° - 10.00°	189.28	3.71%
10.00° - 20.00°	517.74	10.16%
20.00° - 30.00°	794.23	15.59%
30.00° - 40.00°	946.76	18.58%
40.00° - 50.00°	922.11	18.10%
50.00° - 60.00°	795.24	15.61%
60.00° - 70.00°	596.42	11.70%
70.00° - 80.00°	279.27	5.48%
80.00° - 90.00°	54.43	1.07%
90.00° - 100.00°	1.76	0.03%
100.00° - 110.00°	0.00	0.00%
110.00° - 120.00°	0.00	0.00%
120.00° - 130.00°	0.00	0.00%
130.00° - 140.00°	0.00	0.00%
140.00° - 150.00°	0.00	0.00%
150.00° - 160.00°	0.00	0.00%
160.00° - 170.00°	0.00	0.00%
170.00° - 180.00°	0.00	0.00%
0.00° - 90.00°	5,095.47	100.00%
90.00° - 180.00°	1.76	0.03%
0.00° - 180.00°	5,095.47	100.00%