

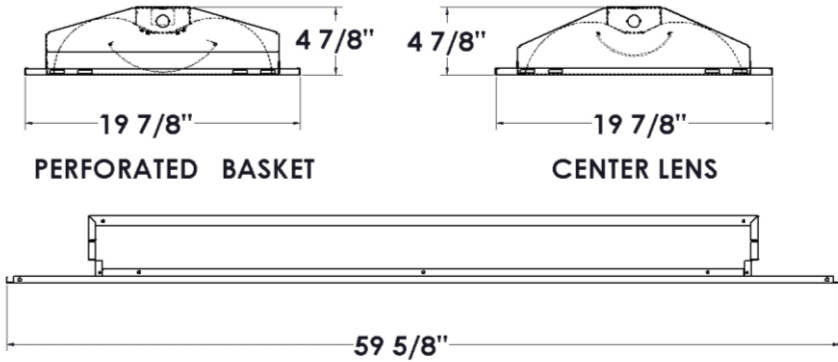
PROJECT:

NOTES:

ORDERING INFORMATION:

EXAMPLE PRJX-H - I - LED - 40 - 30 - L - 347 - CL5 - DIM - DIM
 SERIES NOM. LENGTH SOURCE LUMENS KELVIN DIFFUSER VOLTAGE OPTIONS CONTROLS DRIVER

SHOP DRAWINGS



ORDERING INFORMATION

SERIES		KELVIN	
PRJX-P	Static	30	3000K
PRJX-H	Air Handling*	35	3500K
		40	4000K
		50	5000K
		TW	Tunable White

NOMINAL LENGTH	
S	12" x 60"
I	20" x 60"
M	0.5m x 1.5m

SOURCE
LED

LUMENS

Lumen Package*	Nom. Lumens	Wattage
30	3,000	28
40	4,000	37
50	5,000	46

Nominal lumen output based on 4000 CCT.
 May vary +/-5%.
 See fixture performance data.

*Other lumen packages available.
 Specify in increments of 100 nominal lumens.
 For example, to specify 4,700 nominal lumens:
 PRJX-H - [...] - 47 - [...]

DIFFUSER	
L	Acrylic Ribbed Lens
B	Perforated Basket

VOLTAGE	
MVOLT	120-277V
347	347V

OPTIONS	
OCC	Occupancy Sensor

CONTROLS
 Click on the following link for control options:
<https://bit.ly/2CSIXqa>

DRIVER	
BLANK	Non-dimming applications
DIM	Dimming applications

FEATURES

- › Premium grade, modern, stylish recessed direct / indirect troffer for applications with five foot or metric based modular T-Bar ceilings
- › Available as a static or air handling luminaire
- › Low-glare direct and indirect light distribution for primary and ambient lighting with high visual comfort
- › Available with perforated sheet metal basket or linear prismatic extruded acrylic diffuser
- › Minimum 80 CRI; color range 3000K - 5000K available
- › Highly reflective white paint for superior efficiency
- › Efficacies up to 160 lm/W
- › 100% made in Canada

APPLICATIONS

- › Offices
- › Schools
- › Commercial
- › Healthcare applications
- › Institutional lighting

FIXTURE PERFORMANCE DATA

SPECIFICATIONS

Housing/Reflector – Precision die-formed 20-gauge C.R.S.

Faceplate – One piece faceplate without any welds or joints

Shielding – Perforated sheet metal basket or linear prismatic extruded acrylic diffuser

Finish – Baked white enamel powder finish applied post production on all surfaces for smooth edges and safe handling.

Electrical – High quality mid-power LED boards. L70 >50,000 hours

Mounting – Five foot modular T-bar ceiling or 0.5m x 1.5m T-bar ceiling

Listings –

- CSA certified as luminaire suitable for dry or damp locations.

- cUL certified as luminaire suitable for dry or damp locations.

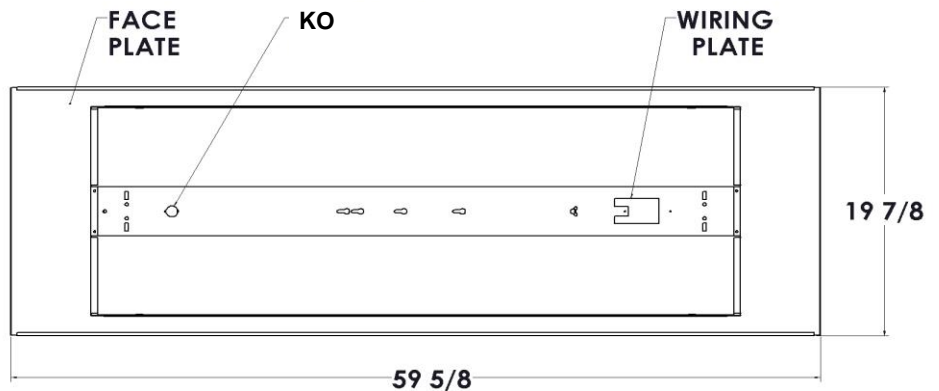
Warranty – 5-year limited warranty

LED PACKAGE	DELIVERED LUMENS	WATTAGE	EFFICACY (lm/W)
30	3,003	28	107
40	3,994	37	108
50	5,000	46	109

*Results based on 4000K, 80 CRI, Lens (A0), 20" x 60"

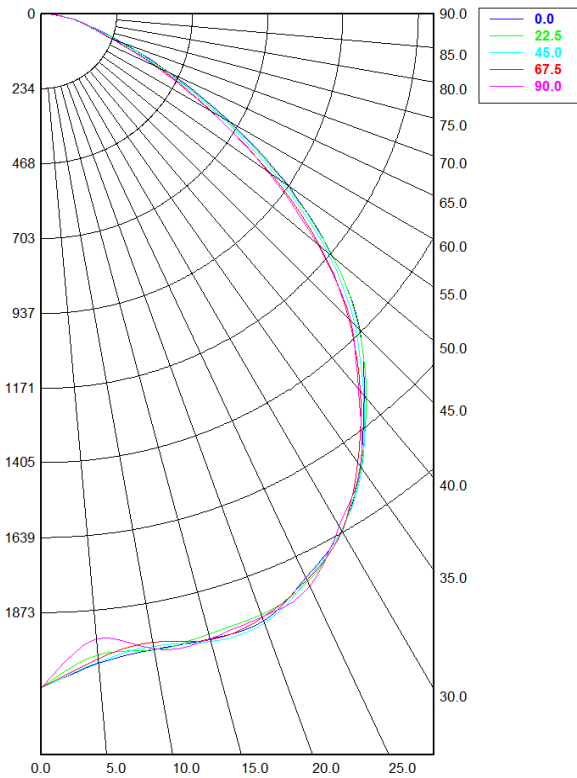
MULTIPLIER TABLE	
COLOR TEMPERATURE	
CCT/CRI	CONVERSION FACTOR
3000K / 80 CRI	0.95
3500K / 80 CRI	0.97
4000K / 80 CRI	1
5000K / 80 CRI	1.03

FIXTURE DETAILS



PHOTOMETRY

PRJX-P-I-LED-50-40-A0-MVOLT Total Luminaire Output: 5,000 lumens; 46 Watts



Candela Distribution

	0.00°	22.50°	45.00°	67.50°	90.00°
0.00°	1,923.45	1,923.45	1,923.45	1,923.45	1,923.45
5.00°	1,910.35	1,935.72	1,918.94	1,909.89	1,897.39
10.00°	1,895.43	1,886.88	1,888.64	1,880.74	1,862.56
15.00°	1,901.01	1,844.42	1,840.08	1,829.93	1,856.03
20.00°	1,767.78	1,793.80	1,759.59	1,744.03	1,761.39
25.00°	1,728.14	1,691.01	1,662.40	1,656.03	1,628.07
30.00°	1,629.44	1,615.64	1,555.71	1,591.19	1,592.26
35.00°	1,538.58	1,494.57	1,449.44	1,464.66	1,448.87
40.00°	1,404.81	1,367.03	1,321.90	1,359.37	1,376.75
45.00°	1,257.63	1,219.73	1,197.36	1,210.95	1,218.77
50.00°	1,099.86	1,061.18	1,039.84	1,068.00	1,092.21
55.00°	898.15	884.42	874.33	905.62	914.06
60.00°	722.09	696.37	697.19	744.41	767.64
65.00°	546.11	514.05	516.85	578.54	590.12
70.00°	425.56	354.17	355.44	428.35	455.14
75.00°	299.48	208.82	222.12	269.17	275.72
80.00°	167.75	100.89	107.04	129.08	139.93
85.00°	58.44	40.96	39.90	40.50	39.14
90.00°	7.22	7.37	6.39	5.53	5.63

Spacing Criterion:

Two luminaires, plane 0°	1.25
Two luminaires, plane 90°	1.21
Four luminaires	1.32

Zonal Lumen Summary

Zone	Lumens	% Fixture
0.00° - 10.00°	192.74	3.85%
10.00° - 20.00°	517.35	10.35%
20.00° - 30.00°	771.13	15.42%
30.00° - 40.00°	921.82	18.43%
40.00° - 50.00°	934.94	18.70%
50.00° - 60.00°	795.71	15.91%
60.00° - 70.00°	543.12	10.86%
70.00° - 80.00°	265.48	5.31%
80.00° - 90.00°	58.11	1.16%
90.00° - 100.00°	1.76	0.04%
100.00° - 110.00°	0.00	0.00%
110.00° - 120.00°	0.00	0.00%
120.00° - 130.00°	0.00	0.00%
130.00° - 140.00°	0.00	0.00%
140.00° - 150.00°	0.00	0.00%
150.00° - 160.00°	0.00	0.00%
160.00° - 170.00°	0.00	0.00%
170.00° - 180.00°	0.00	0.00%
0.00° - 90.00°	5,000.41	100.00%
90.00° - 180.00°	1.76	0.04%
0.00° - 180.00°	5,000.41	100.00%