

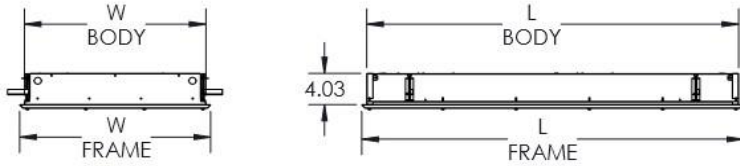
PROJECT:

NOTES:

ORDERING INFORMATION:

EXAMPLE PRCL - 24 - F - L - 40 - 9 - 40 - H1 - MV - EM - CP3 - DM
 SERIES NOM. LENGTH MOUNTING SOURCE LUMENS CRI KELVINS LENS VOLTAGE OPTIONS CONTROLS DRIVER

SHOP DRAWINGS



| PRCL | BODY | | FRAME | |
|------|-------|-------|-------|-------|
| | W | L | W | L |
| 2x4 | 22.83 | 46.75 | 24.00 | 48.00 |
| 2x2 | 22.83 | 22.75 | 24.00 | 24.00 |
| 1x4 | 10.83 | 10.75 | 12.00 | 48.00 |



ORDERING INFORMATION

SERIES
PRCL

NOMINAL LENGTH

| | |
|----|----------|
| 14 | 12"x 48" |
| 22 | 24"x 24" |
| 24 | 24"x 48" |

LENS

| | |
|----|----------------------------|
| A1 | Acrylic K12 - 0.125" |
| H1 | White Opal Acrylique |
| L1 | Frosted Acrylique |
| G1 | Polycarbonate K12 - 0.125" |

MOUNTING

| | |
|---|--------|
| F | Flange |
| T | T-Bar |

VOLTAGE

| | |
|-----|----------|
| MV | 120-277V |
| 347 | 347V |

LUMENS

| Lumen Package* | Nom. Lumens | Wattage |
|------------------|-------------|---------|
| 12" x 48" | | |
| 40 | 4,000 | 39 |
| 60 | 6,000 | 66 |
| 100 | 10,000 | 91 |
| 24" x 24" | | |
| 40 | 4,000 | 39 |
| 80 | 8,000 | 80 |
| 100 | 10,000 | 90 |
| 24" x 48" | | |
| 40 | 4,000 | 36 |
| 100 | 10,000 | 93 |
| 200 | 20,000 | 178 |

OPTIONS

| | |
|-----|-----------------------------------|
| RF | Radio Interference Filter |
| EM | Emergency Power Pack |
| AM | Antimicrobial Finish* |
| SSD | Stainless Steel 304 Door |
| SSH | White 304 Stainless Steel Housing |
| RA | Rear Access Door |
| NH | Special Sealed Housing (no holes) |
| AB | Amber LED** |
| RL | Red LED** |

*Not NSF certified with this type of finish
 **Lumen package to be confirmed

*Other lumen packages available

CRI

| | |
|-------|--------|
| BLANK | 80 CRI |
| 9 | 90 CRI |

CONTROLS
 Click on the following link for control options:
<https://bit.ly/2KzMuAx>

KELVIN

| | |
|----|---------------|
| 30 | 3000K |
| 35 | 3500K |
| 40 | 4000K |
| 50 | 5000K |
| TW | Tunable White |

DRIVER

| | |
|----|---------------|
| DM | 0-10V dimming |
| DA | DALI Driver |

Click on the following link for special driver options:
<https://bit.ly/2Fq26qU>

FEATURES

- > Recessed luminaire designed for contamination controlled environments such as pharmaceutical processing, chemical labs, medical applications, electronic assembly or semiconductor manufacturing
- > One-piece 18 gauge C.R.S. seamless external frame
- > Fully gasketed border between internal and external frames
- > Outer edge of frame is gasketed and fits snugly against the ceiling
- > Lens retaining internal frame attached to external frame with stainless steel gasketed screws
- > Minimum 80 CRI; color range 3000K - 5000K available
- > Tunable White option available
- > Multiple dimming protocols available
- > Variety of lenses available for optimized illumination
- > IC Rated
- > IP66 for recessed applications*
- > FED-STD-209E/Class 100 (ISO5) suitable
- > NSF Certified for Splash Zone Installations
- > 100% made in Canada

* Faceplate is sealed with multiple gaskets and luminaire is IP66 certified as providing protection against dust and water entering the luminaire through the faceplate in a recessed application.
 Note that the housing (which is designed to be recessed into ceiling and is not visible once installed) does not provide ingress protection against dust and water entering the luminaire from the plenum.

APPLICATIONS

- > Medical applications
- > Electronic Assembly
- > Semiconductor Manufacturing
- > Pharmaceutical processing
- > Chemical labs
- > Food processing facilities

LED

FIXTURE PERFORMANCE DATA

SPECIFICATIONS

Housing/Reflector – Precision die-formed 20-gauge C.R.S. hole-free, one piece, seam-welded construction. 18-gauge housing flange with mitered and welded corners

External Frame – 18-gauge C.R.S. seamless external frame with welded corners secured to housing.

Shielding – Prismatic acrylic diffuser is standard. Variety of lens options available.

Finish – Baked white enamel powder finish applied post production on all surfaces for smooth edges and safe handling.

Electrical – High quality mid-power LED boards. L85 >50,000 hours

Mounting – Recessed (plaster or T-Bar ceiling). We strongly recommend to add wire hangers on each earthquake clips/brackets (see fixture details)

Listings

- UL certified as luminaire suitable for dry or damp locations
- NSF certified for splash zone installations.

Warranty – 5-year limited warranty

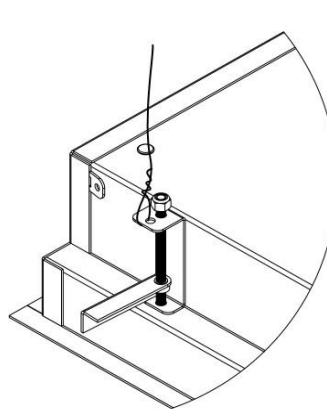
| LED PACKAGE | DELIVERED LUMENS | WATTAGE | EFFICACY (lm/W) |
|-------------|------------------|---------|-----------------|
| 12" x 48" | | | |
| 40 | 4,102 | 39 | 105 |
| 60 | 6,232 | 66 | 94 |
| 24" x 24" | | | |
| 40 | 4,046 | 39 | 107 |
| 80 | 7,970 | 80 | 99 |
| 24" x 48" | | | |
| 40 | 4,098 | 36 | 114 |
| 100 | 9,893 | 93 | 106 |

*Results based on 4000K, 80 CRI, White Opal Lens (H1)

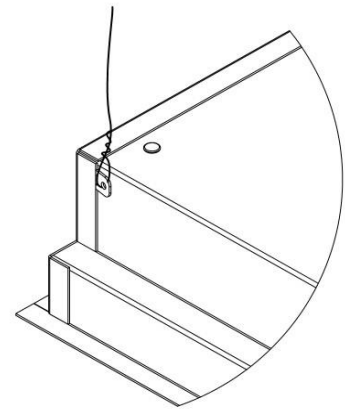
| MULTIPLIER TABLE | |
|-------------------|-------------------|
| COLOR TEMPERATURE | |
| CCT/CRI | CONVERSION FACTOR |
| 3000K / 80 CRI | 0.95 |
| 3500K / 80 CRI | 0.97 |
| 4000K / 80 CRI | 1 |
| 5000K / 80 CRI | 1.03 |

FIXTURE DETAILS

Hanging brackets to secure housing to structure (wires not supplied by PA-CO)



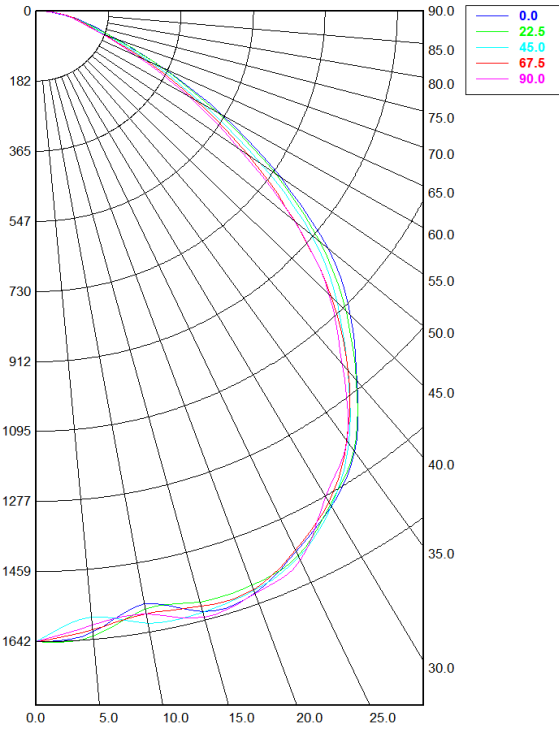
Plaster ceiling / Flange



T-Bar

PHOTOMETRY

PRCL-22-80-40-H1-MVOLT Total Luminaire Output: 7,970 lumens; 80 Watts



Candela Distribution

| | 0.00° | 22.50° | 45.00° | 67.50° | 90.00° |
|--------|----------|----------|----------|----------|----------|
| 0.00° | 1,641.79 | 1,641.79 | 1,641.79 | 1,641.79 | 1,641.79 |
| 5.00° | 1,623.79 | 1,634.06 | 1,584.11 | 1,616.62 | 1,604.97 |
| 10.00° | 1,567.53 | 1,581.39 | 1,618.02 | 1,593.91 | 1,593.74 |
| 15.00° | 1,618.39 | 1,592.68 | 1,620.34 | 1,604.29 | 1,634.32 |
| 20.00° | 1,611.92 | 1,590.29 | 1,605.56 | 1,602.08 | 1,613.68 |
| 25.00° | 1,553.64 | 1,565.62 | 1,569.21 | 1,549.23 | 1,578.79 |
| 30.00° | 1,490.15 | 1,485.32 | 1,491.33 | 1,478.15 | 1,461.30 |
| 35.00° | 1,402.28 | 1,398.79 | 1,375.84 | 1,367.72 | 1,368.58 |
| 40.00° | 1,261.78 | 1,258.40 | 1,225.50 | 1,227.15 | 1,203.09 |
| 45.00° | 1,124.03 | 1,107.43 | 1,076.49 | 1,057.29 | 1,048.88 |
| 50.00° | 964.11 | 936.70 | 911.48 | 853.58 | 854.73 |
| 55.00° | 748.33 | 733.62 | 690.01 | 648.02 | 625.22 |
| 60.00° | 541.85 | 523.59 | 484.86 | 459.94 | 443.95 |
| 65.00° | 352.56 | 350.53 | 321.50 | 299.00 | 282.72 |
| 70.00° | 216.69 | 211.70 | 193.81 | 179.97 | 175.35 |
| 75.00° | 139.41 | 132.71 | 125.60 | 122.51 | 114.16 |
| 80.00° | 83.43 | 83.41 | 84.20 | 85.41 | 82.13 |
| 85.00° | 34.22 | 36.95 | 39.94 | 37.86 | 36.18 |
| 90.00° | 8.73 | 8.58 | 8.59 | 8.61 | 8.52 |

Spacing Criterion:

| | |
|---------------------------|------|
| Two luminaires, plane 0° | 1.32 |
| Two luminaires, plane 90° | 1.3 |
| Four luminaires | 1.37 |

Zonal Lumen Summary

| Zone | Lumens | % Fixture |
|-------------------|----------|-----------|
| 0.00° - 10.00° | 162.68 | 3.93% |
| 10.00° - 20.00° | 454.61 | 10.97% |
| 20.00° - 30.00° | 715.38 | 17.27% |
| 30.00° - 40.00° | 855.37 | 20.65% |
| 40.00° - 50.00° | 826.60 | 19.95% |
| 50.00° - 60.00° | 615.56 | 14.86% |
| 60.00° - 70.00° | 326.74 | 7.89% |
| 70.00° - 80.00° | 140.17 | 3.38% |
| 80.00° - 90.00° | 45.49 | 1.10% |
| 90.00° - 100.00° | 2.36 | 0.06% |
| 100.00° - 110.00° | 0.00 | 0.00% |
| 110.00° - 120.00° | 0.00 | 0.00% |
| 120.00° - 130.00° | 0.00 | 0.00% |
| 130.00° - 140.00° | 0.00 | 0.00% |
| 140.00° - 150.00° | 0.00 | 0.00% |
| 150.00° - 160.00° | 0.00 | 0.00% |
| 160.00° - 170.00° | 0.00 | 0.00% |
| 170.00° - 180.00° | 0.00 | 0.00% |
| 0.00° - 90.00° | 4,142.59 | 100.00% |
| 90.00° - 180.00° | 2.36 | 0.06% |
| 0.00° - 180.00° | 4,142.59 | 100.00% |