

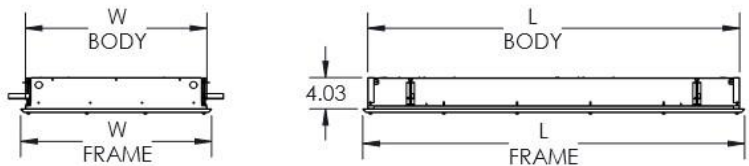
PROJECT:

NOTES:

ORDERING INFORMATION:

EXAMPLE PRCL - 24 - F - L - 40 - 9 - 40 - H1 - MV - EM - CP3 - DM
 SERIES NOM. LENGTH MOUNTING SOURCE LUMENS CRI KELVINS LENS VOLTAGE OPTIONS CONTROLS DRIVER

SHOP DRAWINGS



PRCL	BODY		FRAME	
	W	L	W	L
2x4	22.83	46.75	24.00	48.00
2x2	22.83	22.75	24.00	24.00
1x4	10.83	46.75	12.00	48.00



ORDERING INFORMATION

SERIES
PRCL

NOMINAL LENGTH

14	12"x 48"
22	24"x 24"
24	24"x 48"

LENS

A1	Acrylic K12 - 0.125"
H1	White Opal Acrylique
L1	Frosted Acrylique
G1	Polycarbonate K12 - 0.125"
L3	White frosted polycarbonate

MOUNTING

F	Flange
T	T-Bar

VOLTAGE

MV	120-277V
347	347V

LUMENS

Lumen Package*	Nom. Lumens	Wattage
12" x 48"		
40	4,000	39
60	6,000	66
100	10,000	91
24" x 24"		
40	4,000	39
80	8,000	80
100	10,000	90
24" x 48"		
40	4,000	36
100	10,000	93
200	20,000	178

OPTIONS

RF	Radio Interference Filter
EM	Emergency Power Pack
AM	Antimicrobial Finish*
SSD	Stainless Steel 304 Door
SSH	White 304 Stainless Steel Housing
RA	Rear Access Door
NH	Special Sealed Housing (no holes)
AB	Amber LED**
RL	Red LED**

*Not NSF certified with this type of finish
 **Lumen package to be confirmed

*Other lumen packages available

CRI

BLANK	80 CRI
9	90 CRI

CONTROLS
 Click on the following link for control options:
<https://bit.ly/2KzMuAx>

KELVIN

30	3000K
35	3500K
40	4000K
50	5000K
TW	Tunable White

DRIVER

DM	0-10V dimming
DA	DALI Driver

Click on the following link for special driver options:
<https://bit.ly/2Fq26qU>

FEATURES

- Recessed luminaire designed for contamination controlled environments such as pharmaceutical processing, chemical labs, medical applications, electronic assembly or semiconductor manufacturing
- One-piece 18 gauge C.R.S. seamless external frame
- Fully gasketed border between internal and external frames
- Outer edge of frame is gasketed and fits snugly against the ceiling
- Lens retaining internal frame attached to external frame with stainless steel gasketed screws
- Minimum 80 CRI; color range 3000K - 5000K available
- Tunable White option available
- Multiple dimming protocols available
- Variety of lenses available for optimized illumination
- IC Rated
- IP66 for recessed applications*
- FED-STD-209E/Class 100 (ISO5-8) suitable
- NSF Certified for Splash Zone Installations
- 100% made in Canada

* Faceplate is sealed with multiple gaskets and luminaire is IP66 certified as providing protection against dust and water entering the luminaire through the faceplate in a recessed application. Note that the housing (which is designed to be recessed into ceiling and is not visible once installed) does not provide ingress protection against dust and water entering the luminaire from the plenum.

APPLICATIONS

- Medical applications
- Electronic Assembly
- Semiconductor Manufacturing
- Pharmaceutical processing
- Chemical labs
- Food processing facilities

LED

FIXTURE PERFORMANCE DATA

SPECIFICATIONS

Housing/Reflector – Precision die-formed 20-gauge C.R.S. seam-welded construction. 18-gauge housing flange with mitered and welded corners

External Frame – 18-gauge C.R.S. seamless external frame with welded corners secured to housing.

Shielding – Variety of lens options available.

Finish – Baked white enamel powder finish applied post production on all surfaces for smooth edges and safe handling.

Electrical – High quality mid-power LED boards. L70 >72,000 hours reported / 129,200 hours calculated at maximum allowable output current. L85 >50,000 hours.

Mounting – Recessed (plaster or T-Bar ceiling). We strongly recommend to add wire hangers on each earthquake clips/brackets (see fixture details)

Listings

- UL certified as luminaire suitable for dry or damp locations
- NSF certified for splash zone installations.

Warranty – 5-year limited warranty

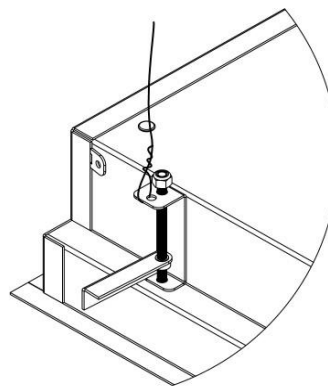
LED PACKAGE	DELIVERED LUMENS	WATTAGE	EFFICACY (lm/W)
12" x 48"			
40	4,102	39	105
60	6,232	66	94
24" x 24"			
40	4,046	39	107
80	7,970	80	99
24" x 48"			
40	4,098	36	114
100	9,893	93	106

*Results based on 4000K, 80 CRI, White Opal Lens (H1)

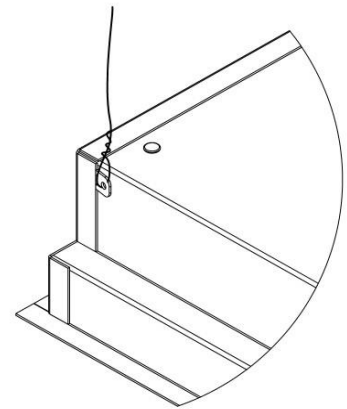
MULTIPLIER TABLE	
COLOR TEMPERATURE	
CCT/CRI	CONVERSION FACTOR
3000K / 80 CRI	0.95
3500K / 80 CRI	0.97
4000K / 80 CRI	1
5000K / 80 CRI	1.03

FIXTURE DETAILS

Hanging brackets to secure housing to structure (wires not supplied by PA-CO)



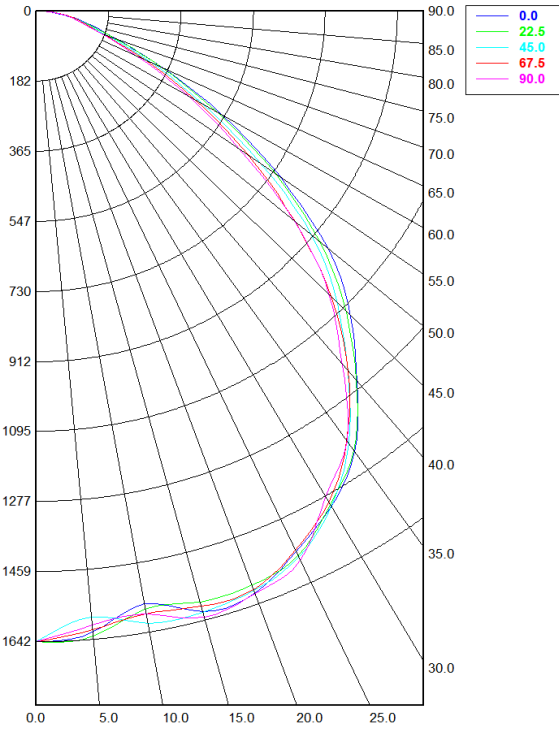
Plaster ceiling / Flange



T-Bar

PHOTOMETRY

PRCL-22-80-40-H1-MVOLT Total Luminaire Output: 7,970 lumens; 80 Watts



Candela Distribution

	0.00°	22.50°	45.00°	67.50°	90.00°
0.00°	1,641.79	1,641.79	1,641.79	1,641.79	1,641.79
5.00°	1,623.79	1,634.06	1,584.11	1,616.62	1,604.97
10.00°	1,567.53	1,581.39	1,618.02	1,593.91	1,593.74
15.00°	1,618.39	1,592.68	1,620.34	1,604.29	1,634.32
20.00°	1,611.92	1,590.29	1,605.56	1,602.08	1,613.68
25.00°	1,553.64	1,565.62	1,569.21	1,549.23	1,578.79
30.00°	1,490.15	1,485.32	1,491.33	1,478.15	1,461.30
35.00°	1,402.28	1,398.79	1,375.84	1,367.72	1,368.58
40.00°	1,261.78	1,258.40	1,225.50	1,227.15	1,203.09
45.00°	1,124.03	1,107.43	1,076.49	1,057.29	1,048.88
50.00°	964.11	936.70	911.48	853.58	854.73
55.00°	748.33	733.62	690.01	648.02	625.22
60.00°	541.85	523.59	484.86	459.94	443.95
65.00°	352.56	350.53	321.50	299.00	282.72
70.00°	216.69	211.70	193.81	179.97	175.35
75.00°	139.41	132.71	125.60	122.51	114.16
80.00°	83.43	83.41	84.20	85.41	82.13
85.00°	34.22	36.95	39.94	37.86	36.18
90.00°	8.73	8.58	8.59	8.61	8.52

Spacing Criterion:

Two luminaires, plane 0°	1.32
Two luminaires, plane 90°	1.3
Four luminaires	1.37

Zonal Lumen Summary

Zone	Lumens	% Fixture
0.00° - 10.00°	162.68	3.93%
10.00° - 20.00°	454.61	10.97%
20.00° - 30.00°	715.38	17.27%
30.00° - 40.00°	855.37	20.65%
40.00° - 50.00°	826.60	19.95%
50.00° - 60.00°	615.56	14.86%
60.00° - 70.00°	326.74	7.89%
70.00° - 80.00°	140.17	3.38%
80.00° - 90.00°	45.49	1.10%
90.00° - 100.00°	2.36	0.06%
100.00° - 110.00°	0.00	0.00%
110.00° - 120.00°	0.00	0.00%
120.00° - 130.00°	0.00	0.00%
130.00° - 140.00°	0.00	0.00%
140.00° - 150.00°	0.00	0.00%
150.00° - 160.00°	0.00	0.00%
160.00° - 170.00°	0.00	0.00%
170.00° - 180.00°	0.00	0.00%
0.00° - 90.00°	4,142.59	100.00%
90.00° - 180.00°	2.36	0.06%
0.00° - 180.00°	4,142.59	100.00%