

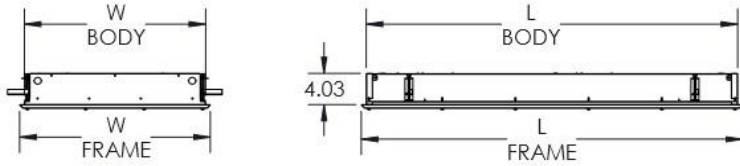
PROJECT:

NOTES:

ORDERING INFORMATION:

EXAMPLE PRCL - F - 24 - L - 40 - 9 - 40 - H1 - MV - AP - CP3 - DM
 SERIES MOUNTING NOM. LENGTH SOURCE LUMENS CRI KELVINS LENS VOLTAGE OPTIONS CONTROLS DRIVER

SHOP DRAWINGS



PRCL	BODY		FRAME	
	W	L	W	L
2x4	22.83	46.75	24.00	48.00
2x2	22.83	22.75	24.00	24.00
1x4	10.83	10.75	12.00	48.00



ORDERING INFORMATION

SERIES

PRCL

MOUNTING

F Flange
 T T-Bar

NOMINAL LENGTH

14 12"x 48"
 22 24"x 24"
 24 24"x 48"

LUMENS

Lumen Package*	Nom. Lumens	Wattage
12" x 48"		
40	4,000	39
60	6,000	66
24" x 24"		
40	4,000	39
80	8,000	80
24" x 48"		
40	4,000	27
100	10,000	106

*Other lumen packages available

CRI

BLANK 80 CRI
 9 90 CRI

KELVIN

30 3000K
 35 3500K
 40 4000K
 50 5000K
 TW Tunable White

LENS

A1 Acrylic K12 - 0.125"
 H1 White Opal Acrylique
 L1 Frosted Acrylique
 G1 Polycarbonate K12 - 0.125"
 L8 FC Clear Acrylic + Frosted Overlay
 T6 Symmetrical Asymmetrical Acrylic with Frosted Overlay (EMI/RFI Grid)

CIRCUITS

BLANK 1 Circuits
 2C 2 Circuits
 3C 3 Circuits

VOLTAGE

MV 120-277V
 347 347V

OPTIONS

AM Antimicrobial Paint
 RF Radio Interference Filter
 EM Emergency Power Pack
 SSD Stainless Steel 304 Door (polished)
 SSH Stainless Steel 304 Door (polished) and White 304 Stainless Steel Housing
 RA Rear Access Door
 SH Special Sealed Housing (no holes)
 GL Green LED*
 RL Red LED*
 *Lumen package to be confirmed

CONTROLS

Click on the following link for control options:
<https://bit.ly/2KzMuAx>

DRIVER

BLANK Non-dimming applications
 DM 0-10V dimming
 DA DALI Driver
 Click on the following link for special driver options:
<https://bit.ly/2FqZ6qU>

FEATURES

- > Recessed luminaire designed for contamination controlled environments such as pharmaceutical processing, chemical labs, medical applications, electronic assembly or semiconductor manufacturing
- > One-piece 18 gauge C.R.S. seamless external frame
- > Fully gasketed border between internal and external frames
- > Outer edge of frame is gasketed and fits snugly against the ceiling
- > Lens retaining internal frame attached to external frame with 14 pressure stainless steel gasketed screws
- > Optional anti-bacterial paint available
- > Minimum 80 CRI; color range 3000K - 5000K available
- > Tunable White option available
- > Multiple dimming protocols available
- > Variety of lenses available for optimized illumination
- > IC Rated
- > IP66 for recessed applications*
- > FED-STD-209E/Class 100 (ISO5) suitable
- > 100% made in Canada

* Faceplate is sealed with multiple gaskets and luminaire is IP66 certified as providing protection against dust and water entering the luminaire through the faceplate in a recessed application. Note that the housing (which is designed to be recessed into ceiling and is not visible once installed) does not provide ingress protection against dust and water entering the luminaire from the plenum.

APPLICATIONS

- > Medical applications
- > Electronic Assembly
- > Semiconductor Manufacturing
- > Pharmaceutical processing
- > Chemical labs
- > Food processing facilities

LED

FIXTURE PERFORMANCE DATA

SPECIFICATIONS

Housing/Reflector – Precision die-formed 20-gauge C.R.S. hole-free, one piece, seam-welded construction. 18-gauge housing flange with mitered and welded corners

External Frame – 18-gauge C.R.S. seamless external frame with welded corners secured to housing with 8 pressure screws

Shielding – Prismatic acrylic diffuser is standard. Variety of lens options available.

Finish – Baked white enamel powder finish applied post production on all surfaces for smooth edges and safe handling. Optional anti-bacterial paint available.

Electrical – High quality mid-power LED boards. L85 >50,000 hours

Mounting – Recessed (plaster or T-Bar ceiling). We strongly recommend to add wire hangers on each earthquake clips/brackets (see fixture details)

Listings –

■ CSA certified as luminaire suitable for dry or damp locations.

■ cUL certified as luminaire suitable for dry or damp locations.

Warranty – 5-year limited warranty

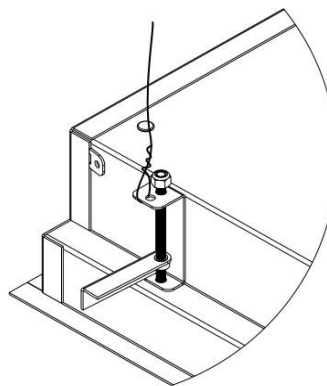
LED PACKAGE	DELIVERED LUMENS	WATTAGE	EFFICACY (lm/W)
12" x 48"			
40	4,102	39	105
60	6,232	66	94
24" x 24"			
40	4,046	39	107
80	7,970	80	99
24" x 48"			
40	4,098	36	114
100	9,893	93	106

*Results based on 4000K, 80 CRI, White Opal Lens (H1)

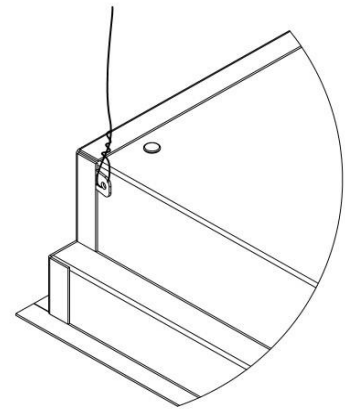
MULTIPLIER TABLE	
COLOR TEMPERATURE	
CCT/CRI	CONVERSION FACTOR
3000K / 80 CRI	0.95
3500K / 80 CRI	0.97
4000K / 80 CRI	1
5000K / 80 CRI	1.03

FIXTURE DETAILS

Hanging brackets to secure housing to structure (wires not supplied by PA-CO)



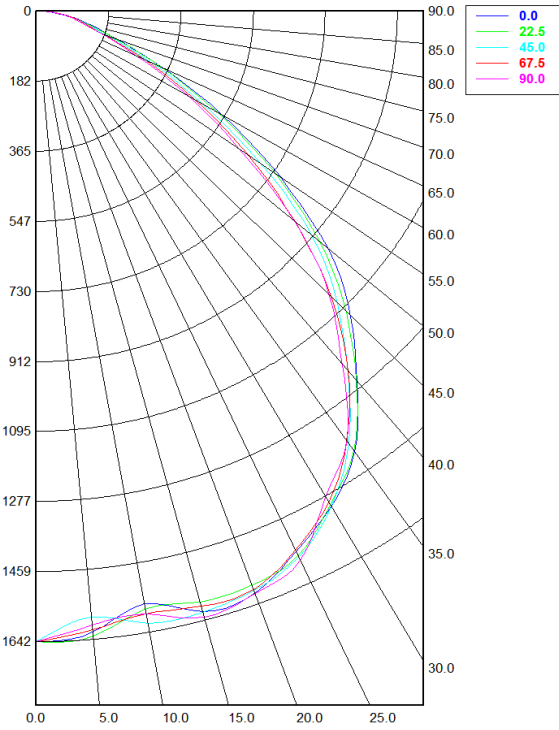
Plaster ceiling / Flange



T-Bar

PHOTOMETRY

PRCL-22-80-40-H1-MVOLT Total Luminaire Output: 7,970 lumens; 80 Watts



Candela Distribution

	0.00°	22.50°	45.00°	67.50°	90.00°
0.00°	1,641.79	1,641.79	1,641.79	1,641.79	1,641.79
5.00°	1,623.79	1,634.06	1,584.11	1,616.62	1,604.97
10.00°	1,567.53	1,581.39	1,618.02	1,593.91	1,593.74
15.00°	1,618.39	1,592.68	1,620.34	1,604.29	1,634.32
20.00°	1,611.92	1,590.29	1,605.56	1,602.08	1,613.68
25.00°	1,553.64	1,565.62	1,569.21	1,549.23	1,578.79
30.00°	1,490.15	1,485.32	1,491.33	1,478.15	1,461.30
35.00°	1,402.28	1,398.79	1,375.84	1,367.72	1,368.58
40.00°	1,261.78	1,258.40	1,225.50	1,227.15	1,203.09
45.00°	1,124.03	1,107.43	1,076.49	1,057.29	1,048.88
50.00°	964.11	936.70	911.48	853.58	854.73
55.00°	748.33	733.62	690.01	648.02	625.22
60.00°	541.85	523.59	484.86	459.94	443.95
65.00°	352.56	350.53	321.50	299.00	282.72
70.00°	216.69	211.70	193.81	179.97	175.35
75.00°	139.41	132.71	125.60	122.51	114.16
80.00°	83.43	83.41	84.20	85.41	82.13
85.00°	34.22	36.95	39.94	37.86	36.18
90.00°	8.73	8.58	8.59	8.61	8.52

Spacing Criterion:

Two luminaires, plane 0°	1.32
Two luminaires, plane 90°	1.3
Four luminaires	1.37

Zonal Lumen Summary

Zone	Lumens	% Fixture
0.00° - 10.00°	162.68	3.93%
10.00° - 20.00°	454.61	10.97%
20.00° - 30.00°	715.38	17.27%
30.00° - 40.00°	855.37	20.65%
40.00° - 50.00°	826.60	19.95%
50.00° - 60.00°	615.56	14.86%
60.00° - 70.00°	326.74	7.89%
70.00° - 80.00°	140.17	3.38%
80.00° - 90.00°	45.49	1.10%
90.00° - 100.00°	2.36	0.06%
100.00° - 110.00°	0.00	0.00%
110.00° - 120.00°	0.00	0.00%
120.00° - 130.00°	0.00	0.00%
130.00° - 140.00°	0.00	0.00%
140.00° - 150.00°	0.00	0.00%
150.00° - 160.00°	0.00	0.00%
160.00° - 170.00°	0.00	0.00%
170.00° - 180.00°	0.00	0.00%
0.00° - 90.00°	4,142.59	100.00%
90.00° - 180.00°	2.36	0.06%
0.00° - 180.00°	4,142.59	100.00%