

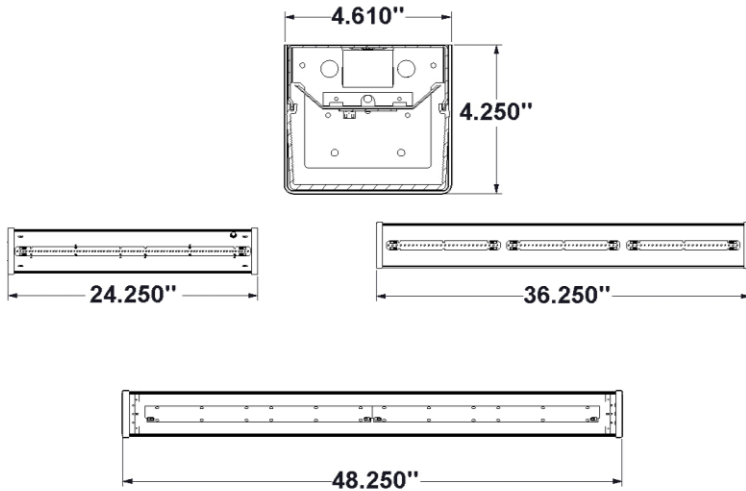
PROJECT:

NOTES:

ORDERING INFORMATION:

EXAMPLE P760 - 48 - L - 70 - 9 - 40 - MV - EM - CL5 - DM
 SERIES NOM. LENGTH SOURCE LUMENS CRI KELVINS VOLTAGE OPTIONS CONTROLS DRIVER

SHOP DRAWINGS



ORDERING INFORMATION

SERIES		KELVIN	
P760		30	3000K
		35	3500K
NOMINAL LENGTH		40	4000K
24	24"	50	5000K
36	36"	TW	Tunable White
48	48"		
SOURCE		VOLTAGE	
L	LED	MV	120-277V
		347	347V

LUMENS

Lumen Package*	Nom. Lumens	Wattage
24"		
30	3,000	27
40	4,000	37
36"		
30	3,000	28
35	3,500	33
48"		
40	4,000	34
70	7,000	63

*Other lumen packages available.

CRI

BLANK	80 CRI
9	90 CRI

OPTIONS

EM	Emergency Power Pack
H5	White Opal Overlay Lens

CONTROLS

Click on the following link for control options:
<https://bit.ly/2C5IXqa>

DRIVERS

BLANK	Non-dimming applications
DM	0-10V dimming
DA	DALI driver

Click on the following link for special driver options:
<https://bit.ly/2FqZ6qU>

FEATURES

- > Robust wraparound luminaire designed for rough service applications
- > This luminaire is both tamper and impact resistant
- > .125" prismatic polycarbonate lens
- > Baked white enamel powder finish applied post production production on all surfaces, smooth edges for safe handling
- > Tamper proof screws
- > Efficacies up to 118 lm/W
- > 100% made in Canada

APPLICATIONS

- > Stairwells
- > Corridors
- > Locker rooms
- > Public areas

LED

FIXTURE PERFORMANCE DATA

SPECIFICATIONS

Housing/Reflector – Precision die-formed 16-gauge C.R.S.

Shielding – .125" prismatic clear polycarbonate tamper proof lens

Finish – Baked white enamel powder finish applied post production on all surfaces for smooth edges and safe handling..

Electrical – High quality mid-power LED boards. L70 >72,000 hours reported / 129,200 calculated at maximum allowable output current. L85 >50,000 hours.

Mounting – Suspended or surface

Listings –

■ cUL certified as luminaire suitable for dry or damp locations.

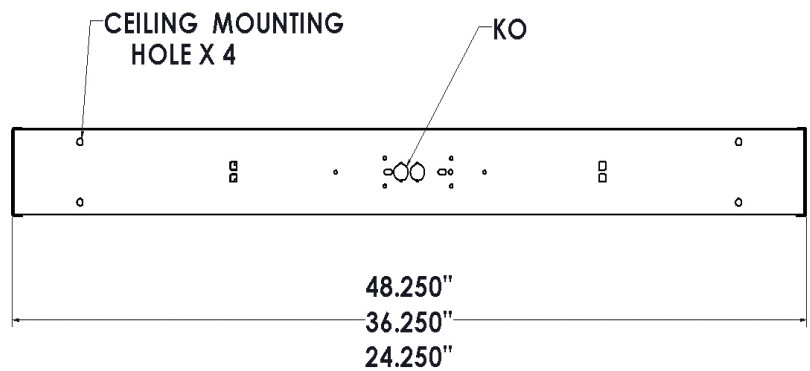
Warranty – 5-year limited warranty

LED PACKAGE	DELIVERED LUMENS	WATTAGE	EFFICACY (lm/W)
24"			
30	3,022	27	112
40	4,029	37	109
36"			
30	2,994	28	107
35	3,471	33	105
48"			
40	4,013	34	118
70	7,035	63	112

*Results based on 4000K, 80 CRI

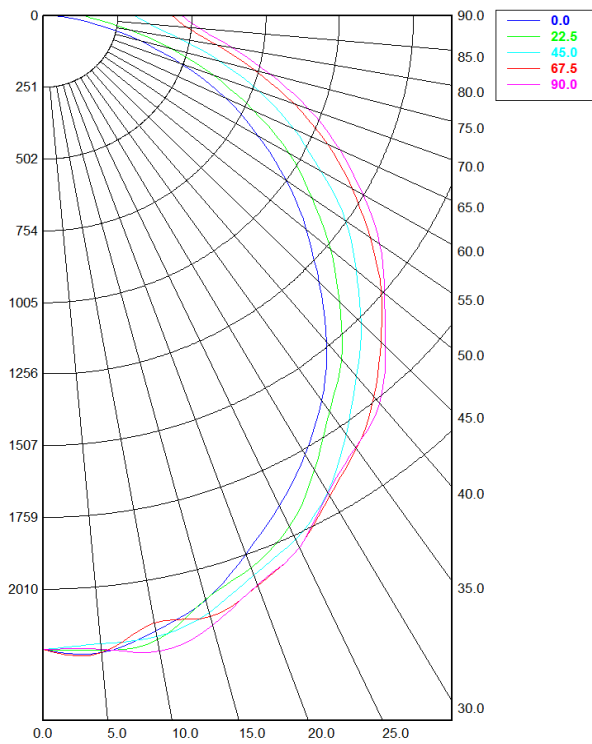
MULTIPLIER TABLE	
COLOR TEMPERATURE	
CCT/CRI	CONVERSION FACTOR
3000K / 80 CRI	0.95
3500K / 80 CRI	0.97
4000K / 80 CRI	1
5000K / 80 CRI	1.03

FIXTURE DETAILS



PHOTOMETRY

P760-48-L-70-40-MV Total Luminaire Output: 7,035 lumens; 63 Watts



Candela Distribution

	0.00°	22.50°	45.00°	67.50°	90.00°
0.00°	2,220.67	2,220.67	2,220.67	2,220.67	2,220.67
5.00°	2,241.45	2,232.28	2,209.22	2,240.77	2,228.43
10.00°	2,189.29	2,219.97	2,209.47	2,159.94	2,260.98
15.00°	2,120.68	2,117.86	2,164.18	2,180.91	2,212.81
20.00°	2,006.89	2,057.89	2,084.97	2,124.57	2,121.79
25.00°	1,894.06	1,973.26	2,023.93	2,054.61	2,055.30
30.00°	1,775.90	1,841.20	1,928.95	1,944.66	1,932.71
35.00°	1,648.23	1,693.98	1,791.67	1,854.32	1,848.81
40.00°	1,496.30	1,575.92	1,654.38	1,746.08	1,775.40
45.00°	1,325.70	1,422.27	1,525.42	1,619.38	1,642.27
50.00°	1,163.19	1,273.10	1,385.78	1,497.25	1,511.43
55.00°	1,002.31	1,111.51	1,253.98	1,353.49	1,394.44
60.00°	837.45	959.30	1,087.70	1,210.41	1,252.18
65.00°	681.63	783.21	933.03	1,065.18	1,110.00
70.00°	498.37	611.99	777.93	903.04	958.67
75.00°	330.73	447.67	617.61	740.69	795.51
80.00°	181.30	299.95	469.00	597.50	648.84
85.00°	76.01	186.79	363.88	487.72	531.65
90.00°	28.65	140.15	310.16	435.20	469.22

Spacing Criterion:

Two luminaires, plane 0°	1.19
Two luminaires, plane 90°	1.3
Four luminaires	1.39

Zonal Lumen Summary

Zone	Lumens	% Fixture
0.00° - 10.00°	224.66	3.19%
10.00° - 20.00°	606.19	8.62%
20.00° - 30.00°	919.40	13.07%
30.00° - 40.00°	1,107.68	15.74%
40.00° - 50.00°	1,165.88	16.57%
50.00° - 60.00°	1,095.60	15.57%
60.00° - 70.00°	906.52	12.89%
70.00° - 80.00°	628.34	8.93%
80.00° - 90.00°	381.17	5.42%
90.00° - 100.00°	77.72	1.10%
100.00° - 110.00°	0.00	0.00%
110.00° - 120.00°	0.00	0.00%
120.00° - 130.00°	0.00	0.00%
130.00° - 140.00°	0.00	0.00%
140.00° - 150.00°	0.00	0.00%
150.00° - 160.00°	0.00	0.00%
160.00° - 170.00°	0.00	0.00%
170.00° - 180.00°	0.00	0.00%
0.00° - 90.00°	7,035.43	100.00%
90.00° - 180.00°	77.72	1.10%
0.00° - 180.00°	7,035.43	100.00%