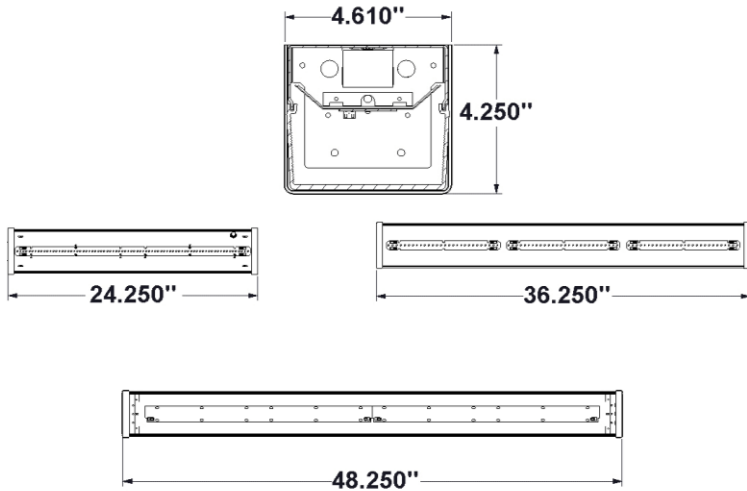


PROJECT:	NOTES:
----------	--------

ORDERING INFORMATION:

<b>EXAMPLE</b>	P760 - 48 - L - 70 - 9 - 40 - MV - EM - CL5 - DM								
SERIES	NOM. LENGTH	SOURCE	LUMENS	CRI	KELVINS	VOLTAGE	OPTIONS	CONTROLS	DRIVER

SHOP DRAWINGS



ORDERING INFORMATION

<b>SERIES</b>	<b>KELVIN</b>
P760	30 3000K 35 3500K 40 4000K 50 5000K TW Tunable White
<b>NOMINAL LENGTH</b>	<b>VOLTAGE</b>
24 24" 36 36" 48 48"	MV 120-277V 347 347V
<b>SOURCE</b>	<b>OPTIONS</b>
L LED	EM Emergency Power Pack H5 White Opal Overlay Lens

FEATURES

- > Robust wraparound luminaire designed for rough service applications
- > This luminaire is both tamper and impact resistant
- > .125" prismatic polycarbonate lens
- > Baked white enamel powder finish applied post production production on all surfaces, smooth edges for safe handling
- > Tamper proof screws
- > Efficacies up to 118 lm/W
- > 100% made in Canada

LUMENS

Lumen Package*	Nom. Lumens	Wattage
<b>24"</b>		
30	3,000	27
40	4,000	37
<b>36"</b>		
30	3,000	28
35	3,500	33
<b>48"</b>		
40	4,000	34
70	7,000	63

\*Other lumen packages available.

CONTROLS

Click on the following link for control options:  
<https://bit.ly/2C5IXqa>

DRIVERS

- BLANK** Non-dimming applications
- DM** 0-10V dimming
- DA** DALI driver

Click on the following link for special driver options:  
<https://bit.ly/2FqZ6qU>

APPLICATIONS

- > Stairwells
- > Corridors
- > Locker rooms
- > Public areas

CRI

BLANK	80 CRI
9	90 CRI

LED

FIXTURE PERFORMANCE DATA

SPECIFICATIONS

**Housing/Reflector** – Precision die-formed 16-gauge C.R.S.

**Shielding** – .125" prismatic clear polycarbonate tamper proof lens

**Finish** – Baked white enamel powder finish applied post production on all surfaces for smooth edges and safe handling..

**Electrical** – High quality mid-power LED boards. L70 >72,000 hours reported / 129,200 calculated at maximum allowable output current. L85 >50,000 hours.

**Mounting** – Suspended or surface

**Listings** –

- CSA certified as luminaire suitable for dry or damp locations.
- cUL certified as luminaire suitable for dry or damp locations.

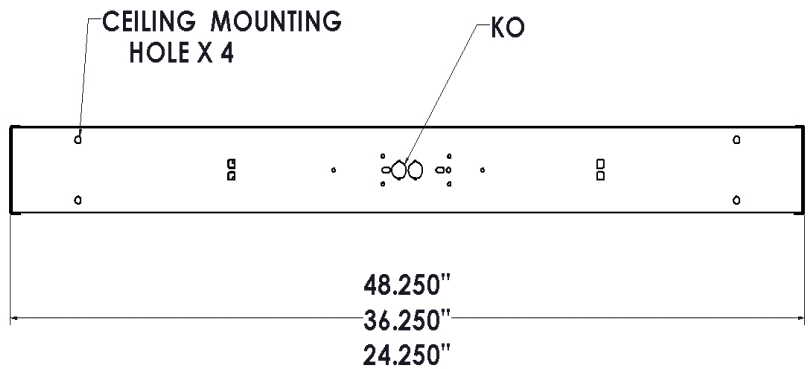
**Warranty** – 5-year limited warranty

LED PACKAGE	DELIVERED LUMENS	WATTAGE	EFFICACY (lm/W)
24"			
30	3,022	27	112
40	4,029	37	109
36"			
30	2,994	28	107
35	3,471	33	105
48"			
40	4,013	34	118
70	7,035	63	112

\*Results based on 4000K, 80 CRI

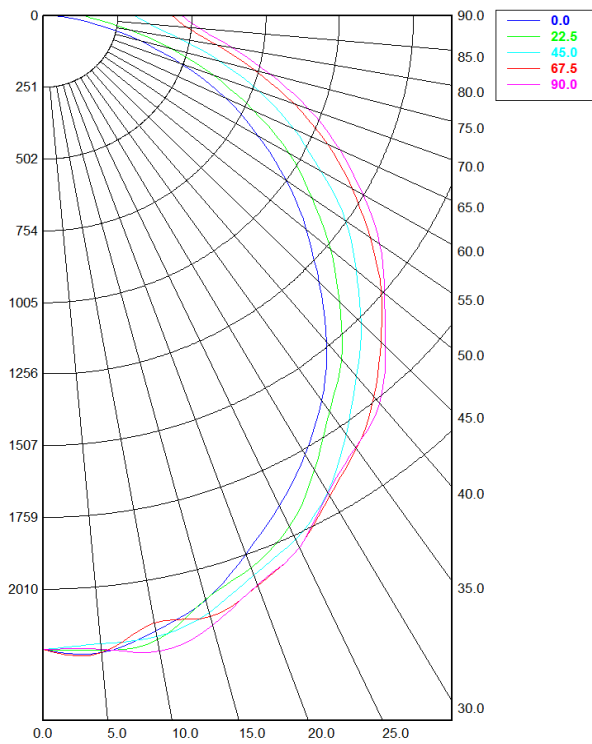
MULTIPLIER TABLE	
COLOR TEMPERATURE	
CCT/CRI	CONVERSION FACTOR
3000K / 80 CRI	0.95
3500K / 80 CRI	0.97
4000K / 80 CRI	1
5000K / 80 CRI	1.03

FIXTURE DETAILS



PHOTOMETRY

P760-48-L-70-40-MV Total Luminaire Output: 7,035 lumens; 63 Watts



Candela Distribution

	0.00°	22.50°	45.00°	67.50°	90.00°
0.00°	2,220.67	2,220.67	2,220.67	2,220.67	2,220.67
5.00°	2,241.45	2,232.28	2,209.22	2,240.77	2,228.43
10.00°	2,189.29	2,219.97	2,209.47	2,159.94	<b>2,260.98</b>
15.00°	2,120.68	2,117.86	2,164.18	2,180.91	2,212.81
20.00°	2,006.89	2,057.89	2,084.97	2,124.57	2,121.79
25.00°	1,894.06	1,973.26	2,023.93	2,054.61	2,055.30
30.00°	1,775.90	1,841.20	1,928.95	1,944.66	1,932.71
35.00°	1,648.23	1,693.98	1,791.67	1,854.32	1,848.81
40.00°	1,496.30	1,575.92	1,654.38	1,746.08	1,775.40
45.00°	1,325.70	1,422.27	1,525.42	1,619.38	1,642.27
50.00°	1,163.19	1,273.10	1,385.78	1,497.25	1,511.43
55.00°	1,002.31	1,111.51	1,253.98	1,353.49	1,394.44
60.00°	837.45	959.30	1,087.70	1,210.41	1,252.18
65.00°	681.63	783.21	933.03	1,065.18	1,110.00
70.00°	498.37	611.99	777.93	903.04	958.67
75.00°	330.73	447.67	617.61	740.69	795.51
80.00°	181.30	299.95	469.00	597.50	648.84
85.00°	76.01	186.79	363.88	487.72	531.65
90.00°	28.65	140.15	310.16	435.20	469.22

Zonal Lumen Summary

Zone	Lumens	% Fixture
0.00° - 10.00°	224.66	3.19%
10.00° - 20.00°	606.19	8.62%
20.00° - 30.00°	919.40	13.07%
30.00° - 40.00°	1,107.68	15.74%
40.00° - 50.00°	1,165.88	16.57%
50.00° - 60.00°	1,095.60	15.57%
60.00° - 70.00°	906.52	12.89%
70.00° - 80.00°	628.34	8.93%
80.00° - 90.00°	381.17	5.42%
90.00° - 100.00°	77.72	1.10%
100.00° - 110.00°	0.00	0.00%
110.00° - 120.00°	0.00	0.00%
120.00° - 130.00°	0.00	0.00%
130.00° - 140.00°	0.00	0.00%
140.00° - 150.00°	0.00	0.00%
150.00° - 160.00°	0.00	0.00%
160.00° - 170.00°	0.00	0.00%
170.00° - 180.00°	0.00	0.00%
0.00° - 90.00°	7,035.43	100.00%
90.00° - 180.00°	77.72	1.10%
0.00° - 180.00°	7,035.43	100.00%

Spacing Criterion:

Two luminaires, plane 0°	1.19
Two luminaires, plane 90°	1.3
Four luminaires	1.39