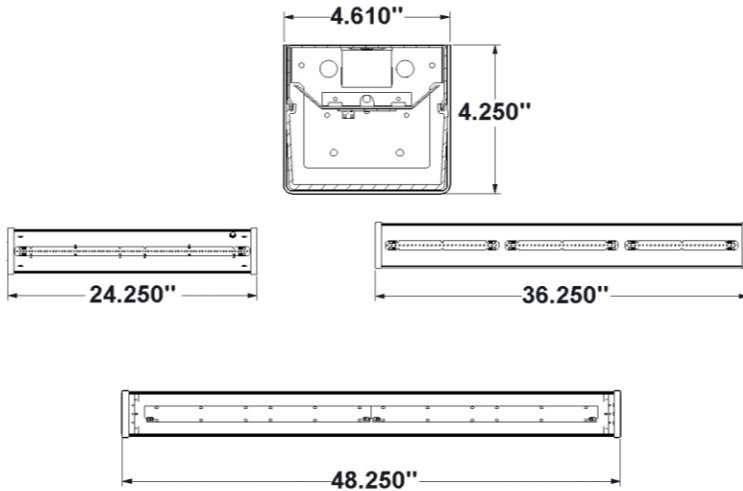


PROJECT:	NOTES:
----------	--------

ORDERING INFORMATION:

EXAMPLE	P760 - 48 - L - 70 - 9 - 40 - MV - EM - CL5 - DM								
SERIES	NOM. LENGTH	SOURCE	LUMENS	CRI	KELVINS	VOLTAGE	OPTIONS	CONTROLS	DRIVER

SHOP DRAWINGS



ORDERING INFORMATION

SERIES	
P760	
NOMINAL LENGTH	
24	24"
36	36"
48	48"
SOURCE	
L	LED

KELVIN	
30	3000K
35	3500K
40	4000K
50	5000K
TW	Tunable White
VOLTAGE	
MV	120-277V
347	347V

LUMENS		
Lumen Package*	Nom. Lumens	Wattage
24"		
30	3,000	27
40	4,000	37
36"		
30	3,000	28
35	3,500	33
48"		
40	4,000	34
70	7,000	63

OPTIONS	
EM	Emergency Power Pack
H5	White Opal Overlay Lens

CONTROLS
 Click on the following link for control options:
<https://bit.ly/2CSIXga>

DRIVERS
 BLANK Non-dimming applications
 DM 0-10V dimming
 DA DALI driver
 Click on the following link for special driver options:
<https://bit.ly/2FqZ6aU>

CRI	
BLANK	80 CRI
9	90 CRI

FEATURES

- > Robust wraparound luminaire designed for rough service applications
- > This luminaire is both tamper and impact resistant
- > .125" prismatic polycarbonate lens
- > Baked white enamel powder finish applied post production production on all surfaces, smooth edges for safe handling
- > Tamper proof screws
- > Efficacies up to 118 lm/W
- > 100% made in Canada

APPLICATIONS

- > Stairwells
- > Corridors
- > Locker rooms
- > Public areas

*Other lumen packages available.

LED

FIXTURE PERFORMANCE DATA

SPECIFICATIONS

Housing/Reflector – Precision die-formed 16-gauge C.R.S.

Shielding – .125" prismatic clear polycarbonate tamper proof lens

Finish – Baked white enamel powder finish applied post production on all surfaces for smooth edges and safe handling..

Electrical – High quality mid-power LED boards. L70 >72,000 hours reported / 129,200 calculated at maximum allowable output current. L85 >50,000 hours.

Mounting – Suspended or surface

Listings –

- CSA certified as luminaire suitable for dry or damp locations.
- cUL certified as luminaire suitable for dry or damp locations.

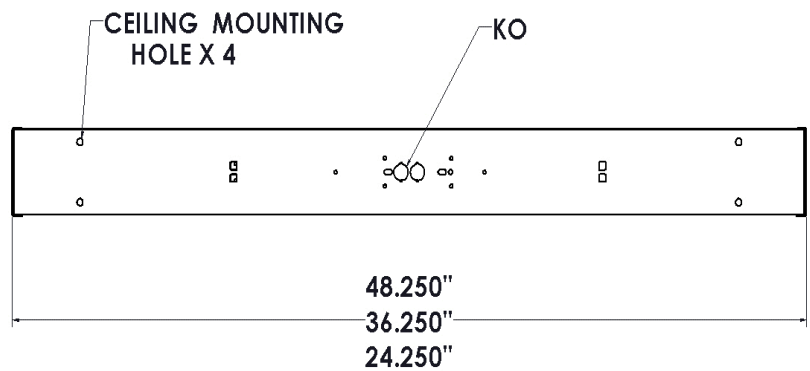
Warranty – 5-year limited warranty

LED PACKAGE	DELIVERED LUMENS	WATTAGE	EFFICACY (lm/W)
24"			
30	3,022	27	112
40	4,029	37	109
36"			
30	2,994	28	107
35	3,471	33	105
48"			
40	4,013	34	118
70	7,035	63	112

*Results based on 4000K, 80 CRI

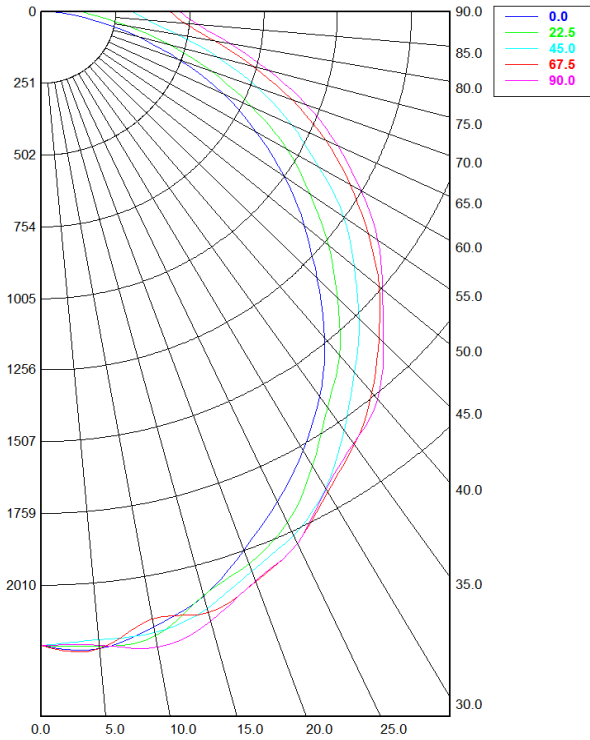
MULTIPLIER TABLE	
COLOR TEMPERATURE	
CCT/CRI	CONVERSION FACTOR
3000K / 80 CRI	0.95
3500K / 80 CRI	0.97
4000K / 80 CRI	1
5000K / 80 CRI	1.03

FIXTURE DETAILS



PHOTOMETRY

P760-48-L-70-40-MV Total Luminaire Output: 7,035 lumens; 63 Watts



Candela Distribution

	0.00°	22.50°	45.00°	67.50°	90.00°
0.00°	2,220.67	2,220.67	2,220.67	2,220.67	2,220.67
5.00°	2,241.45	2,232.28	2,209.22	2,240.77	2,228.43
10.00°	2,189.29	2,219.97	2,209.47	2,159.94	2,260.98
15.00°	2,120.68	2,117.86	2,164.18	2,180.91	2,212.81
20.00°	2,006.89	2,057.89	2,084.97	2,124.57	2,121.79
25.00°	1,894.06	1,973.26	2,023.93	2,054.61	2,055.30
30.00°	1,775.90	1,841.20	1,928.95	1,944.66	1,932.71
35.00°	1,648.23	1,693.98	1,791.67	1,854.32	1,848.81
40.00°	1,496.30	1,575.92	1,654.38	1,746.08	1,775.40
45.00°	1,325.70	1,422.27	1,525.42	1,619.38	1,642.27
50.00°	1,163.19	1,273.10	1,385.78	1,497.25	1,511.43
55.00°	1,002.31	1,111.51	1,253.98	1,353.49	1,394.44
60.00°	837.45	959.30	1,087.70	1,210.41	1,252.18
65.00°	681.63	783.21	933.03	1,065.18	1,110.00
70.00°	498.37	611.99	777.93	903.04	958.67
75.00°	330.73	447.67	617.61	740.69	795.51
80.00°	181.30	299.95	469.00	597.50	648.84
85.00°	76.01	186.79	363.88	487.72	531.65
90.00°	28.65	140.15	310.16	435.20	469.22

Spacing Criterion:

Two luminaires, plane 0°	1.19
Two luminaires, plane 90°	1.3
Four luminaires	1.39

Zonal Lumen Summary

Zone	Lumens	% Fixture
0.00° - 10.00°	224.66	3.19%
10.00° - 20.00°	606.19	8.62%
20.00° - 30.00°	919.40	13.07%
30.00° - 40.00°	1,107.68	15.74%
40.00° - 50.00°	1,165.88	16.57%
50.00° - 60.00°	1,095.60	15.57%
60.00° - 70.00°	906.52	12.89%
70.00° - 80.00°	628.34	8.93%
80.00° - 90.00°	381.17	5.42%
90.00° - 100.00°	77.72	1.10%
100.00° - 110.00°	0.00	0.00%
110.00° - 120.00°	0.00	0.00%
120.00° - 130.00°	0.00	0.00%
130.00° - 140.00°	0.00	0.00%
140.00° - 150.00°	0.00	0.00%
150.00° - 160.00°	0.00	0.00%
160.00° - 170.00°	0.00	0.00%
170.00° - 180.00°	0.00	0.00%
0.00° - 90.00°	7,035.43	100.00%
90.00° - 180.00°	77.72	1.10%
0.00° - 180.00°	7,035.43	100.00%