

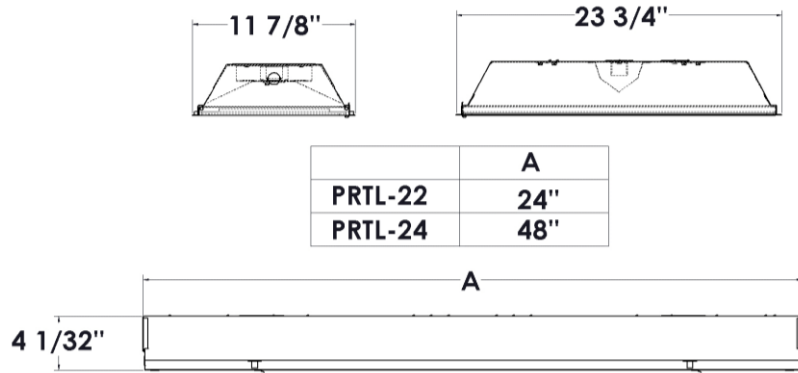
PROJECT:

NOTES:

ORDERING INFORMATION:

EXAMPLE PRTL - 24 - LED - 40 - 9 - 40 - H1 - MV - EM - CP1 - DM
 SERIES NOM. LENGTH SOURCE LUMENS CRI KELVINS LENS VOLTAGE OPTIONS CONTROLS DRIVER

SHOP DRAWINGS



ORDERING INFORMATION

SERIES

PRTL

KELVIN

30	3000K
35	3500K
40	4000K
50	5000K
TW	Tunable White

NOMINAL LENGTH

14	12"x 48"
22	24"x 24"
24	24"x 48"

LENS

H1	White Opal
A1	Acrylic K12 - 0.125"
L1	Frosted

SOURCE

LED

LUMENS

VOLTAGE

MV	120-277V
347	347V

Lumen Package	Nom. Lumens	Wattage
12"x 48"		
30	3,000	31
50	5,000	50
24"x 24"		
30	3,000	34
50	5,000	50
24"x 48"		
40	4,000	33
60	6,000	56

OPTIONS

EM Emergency Power Pack

CONTROLS

Click on the following link for control options:
<https://bit.ly/2C5IXqa>

DRIVER

BLANK Non-dimming applications
 DM 0-10V dimming
 DA DALI

Click on the following link for special driver options:
<https://bit.ly/2FqZ6qU>

CRI

BLANK	80 CRI
9	90 CRI

FEATURES

- > Fully-enclosed, cam latches for easy maintenance
- > T-slot hinge for positive retention when door is opened
- > Efficacies up to 145 lm/W
- > 100% made in Canada
- > Minimum 80 CRI; color range 3000K - 5000K available
- > Tunable White option available
- > Multiple dimming protocols available
- > Variety of lenses available for smooth and uniform illumination
- > Reinforcement ribs and rolled edge channel provide superior strength

APPLICATIONS

- > Offices
- > Schools
- > Retail Stores
- > Commercial Applications

LED

FIXTURE PERFORMANCE DATA

SPECIFICATIONS

Housing/Reflector – Precision die-formed 22-gauge C.R.S.

Finish – Baked white enamel powder finish applied post production on all surfaces for smooth edges and safe handling.

Electrical – High quality mid-power LED boards. L70 >50,000 hours

Mounting – T-Bar ceiling

Listings –

■ CSA certified as luminaire suitable for dry or damp locations.

■ cUL certified as luminaire suitable for dry or damp locations.

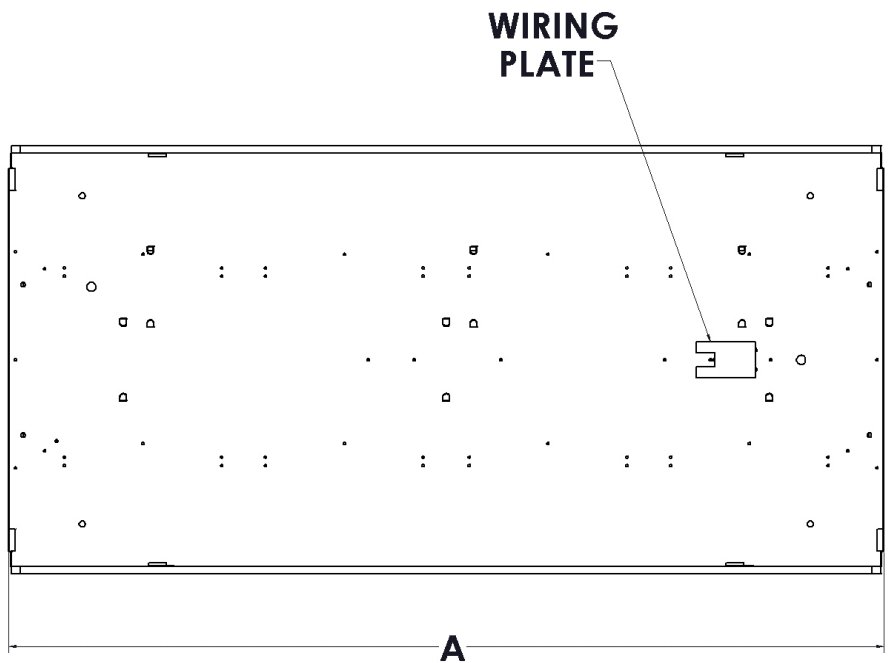
Warranty – 5-year limited warranty

LED PACKAGE	DELIVERED LUMENS	WATTAGE	EFFICACY (lm/W)
12" x 48"			
30	3,158	31	102
50	5,072	50	101
24" x 24"			
30	3,152	34	92
50	5,061	50	101
24" x 48"			
40	4,044	33	122
60	6,099	56	109

*Results based on 4000K, 80 CRI, white opal lens (H1)

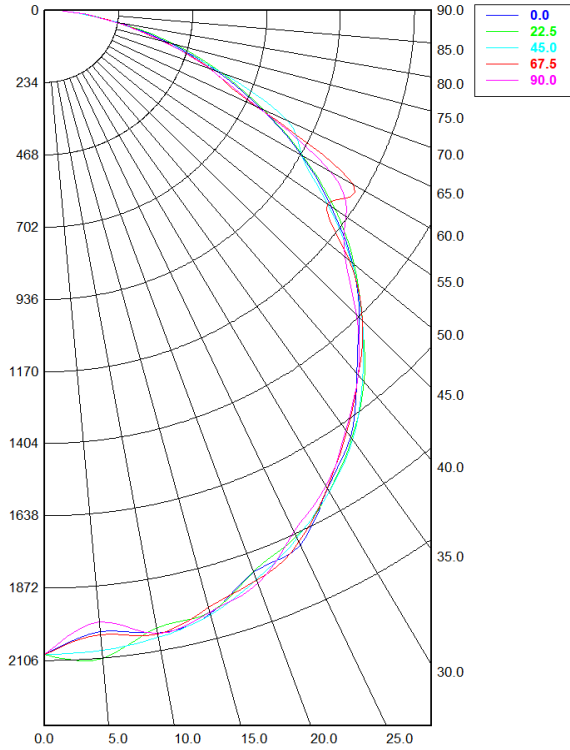
MULTIPLIER TABLE	
COLOR TEMPERATURE	
CCT/CRI	CONVERSION FACTOR
3000K / 80 CRI	0.95
3500K / 80 CRI	0.97
4000K / 80 CRI	1
5000K / 80 CRI	1.03

FIXTURE DETAILS



PHOTOMETRY

PRTL-24-LED-60-40-H1-MVOLT Total Luminaire Output: 6,099 lumens; 56 Watts



Candela Distribution

	0.00°	22.50°	45.00°	67.50°	90.00°
0.00°	2,085.58	2,085.58	2,085.58	2,085.58	2,085.58
5.00°	2,020.88	2,106.00	2,081.87	2,029.91	1,989.11
10.00°	2,047.80	2,032.22	2,063.02	2,052.28	2,049.56
15.00°	2,022.95	2,019.51	2,026.43	2,002.50	2,017.12
20.00°	1,936.11	1,932.71	1,960.31	1,964.18	1,975.07
25.00°	1,912.34	1,881.91	1,887.72	1,903.01	1,866.30
30.00°	1,790.03	1,801.77	1,801.20	1,788.28	1,781.20
35.00°	1,688.87	1,695.05	1,699.56	1,667.55	1,662.58
40.00°	1,536.71	1,572.93	1,565.79	1,545.67	1,543.48
45.00°	1,406.77	1,422.79	1,421.15	1,422.46	1,395.20
50.00°	1,272.40	1,279.99	1,267.35	1,257.35	1,241.15
55.00°	1,106.95	1,121.18	1,092.25	1,092.60	1,164.30
60.00°	939.97	945.57	940.47	1,126.68	1,046.35
65.00°	753.32	762.83	845.96	739.93	742.16
70.00°	578.75	593.90	601.08	558.10	552.09
75.00°	402.36	419.97	386.18	383.48	385.05
80.00°	238.37	240.95	235.03	228.11	229.68
85.00°	99.13	100.03	101.93	99.90	100.59
90.00°	22.66	19.41	20.48	21.39	20.44

Spacing Criterion:

Two luminaires, plane 0°	1.27
Two luminaires, plane 90°	1.26
Four luminaires	1.38

Zonal Lumen Summary

Zone	Lumens	% Fixture
0.00° - 10.00°	208.20	3.41%
10.00° - 20.00°	566.77	9.29%
20.00° - 30.00°	866.89	14.21%
30.00° - 40.00°	1,049.60	17.21%
40.00° - 50.00°	1,088.96	17.85%
50.00° - 60.00°	1,001.95	16.43%
60.00° - 70.00°	771.54	12.65%
70.00° - 80.00°	422.15	6.92%
80.00° - 90.00°	123.82	2.03%
90.00° - 100.00°	5.68	0.09%
100.00° - 110.00°	0.00	0.00%
110.00° - 120.00°	0.00	0.00%
120.00° - 130.00°	0.00	0.00%
130.00° - 140.00°	0.00	0.00%
140.00° - 150.00°	0.00	0.00%
150.00° - 160.00°	0.00	0.00%
160.00° - 170.00°	0.00	0.00%
170.00° - 180.00°	0.00	0.00%
0.00° - 90.00°	6,099.88	100.00%
90.00° - 180.00°	5.68	0.09%
0.00° - 180.00°	6,099.88	100.00%