

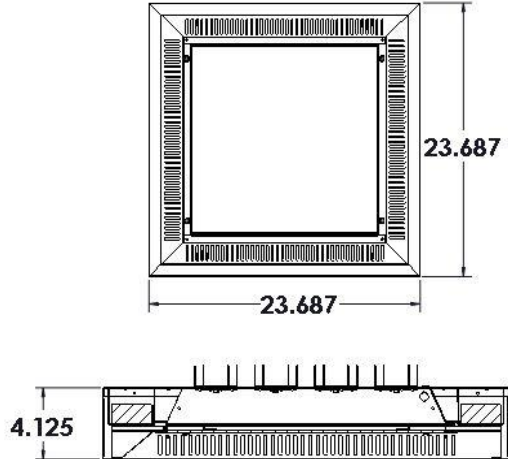
PROJECT:

NOTES:

ORDERING INFORMATION:

<b>EXAMPLE</b>	<b>PENE-R</b>	<b>- 22L</b>	<b>- L</b>	<b>- 150</b>	<b>- 9</b>	<b>- 50</b>	<b>- L1</b>	<b>- MV</b>	<b>- EM</b>	<b>- D</b>
	SERIES	NOM. LENGTH	SOURCE	LUMENS	CRI	KELVINS	LENS	VOLTAGE	OPTIONS	DRIVER

SHOP DRAWINGS



ORDERING INFORMATION

SERIES	PENE-R
--------	--------

LENS	<b>BLANK</b> No Lens <b>H1</b> White Opal <b>L1</b> Frosted Acrylic <b>L3</b> White Frosted Polycarbonate
------	--

NOMINAL LENGTH	22L 24" x 24"
----------------	---------------

SOURCE	L LED
--------	-------

VOLTAGE	<b>MV</b> 120-277V <b>347</b> 347V
---------	---------------------------------------

LUMENS	
--------	--

Lumen Package*	Nominal Lumens
24" x 24"	
100	10,000
120	12,000
150	15,000

\*Other lumen packages available.

SOURCE	<b>BLANK</b> 80 CRI <b>9</b> 90 CRI
--------	--

OPTIONS	<b>BC#</b> Black Cabtire Wire #ft <b>WC#</b> White Cabtire Wire #ft <b>EM</b> Emergency Power Pack
---------	--

KELVIN	<b>30</b> 3000K <b>35</b> 3500K <b>40</b> 4000K <b>50</b> 5000K <b>TW</b> Tunable White*
--------	--

\*Lumen package limitations for TW

DRIVERS	<b>ND</b> Non-dimming applications <b>D</b> 0-10V dimming <b>DA</b> DALI driver
---------	---

FEATURES

- > Specification grade LED high/low bay luminaire for applications requiring both aesthetics and illumination performance
- > Sleek attractive design to complement a variety of interiors
- > Welded housing for additional strength
- > Integral ventilation slots and finned aluminum heatsink
- > Wide selection of LED packages available for a broad range of output levels and ceiling heights
- > Minimum 80 CRI; color range 3000K - 5000K available
- > Tunable White option available
- > Multiple dimming protocols available
- > Variety of lenses available for smooth and uniform illumination
- > Adjustable suspension cable available

APPLICATIONS

- > Schools
- > Atriums
- > Retail Applications
- > Commercial Offices
- > Showrooms
- > Sport Facilities
- > Car Dealerships
- > General Purpose Lighting

LED

FIXTURE PERFORMANCE DATA

SPECIFICATIONS

**Housing/Reflector** – Precision die-formed 22-gauge C.R.S.

**Shielding** – Variety of lenses available

**Finish** – Baked white enamel powder finish applied post production on all surfaces for smooth edges and safe handling.

**Electrical** – High quality mid-power LED boards. L70 >72,000 hours reported / 129,200 calculated at maximum allowable output current. L85 >50,000 hours.

**Listings** –  
 ■ cUL certified as luminaire suitable for dry or damp locations.

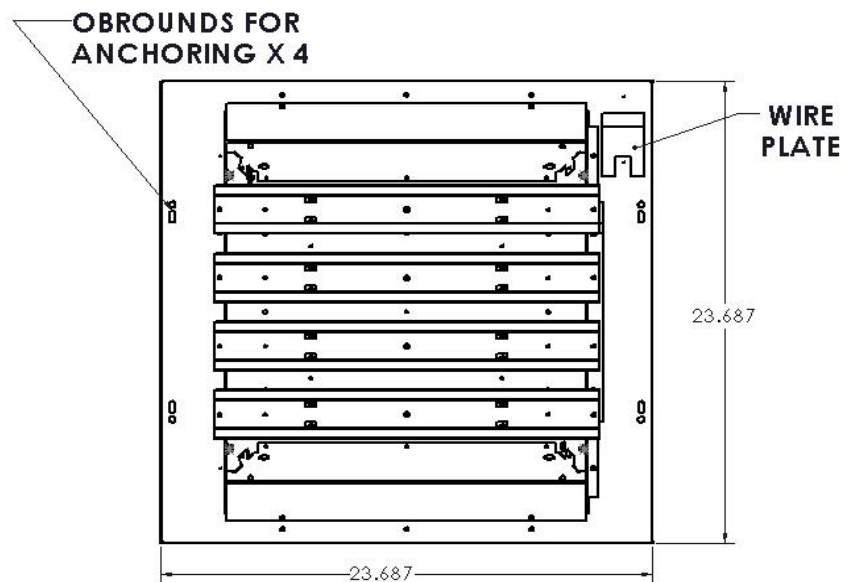
**Warranty** – 5-year limited warranty

LED PACKAGE	DELIVERED LUMENS	WATTAGE	EFFICACY (lm/W)
24" x 24"			
100	10,212	80	128
150	15,341	120	128

\*Results based on 4000K, 80 CRI, Lens (L3)

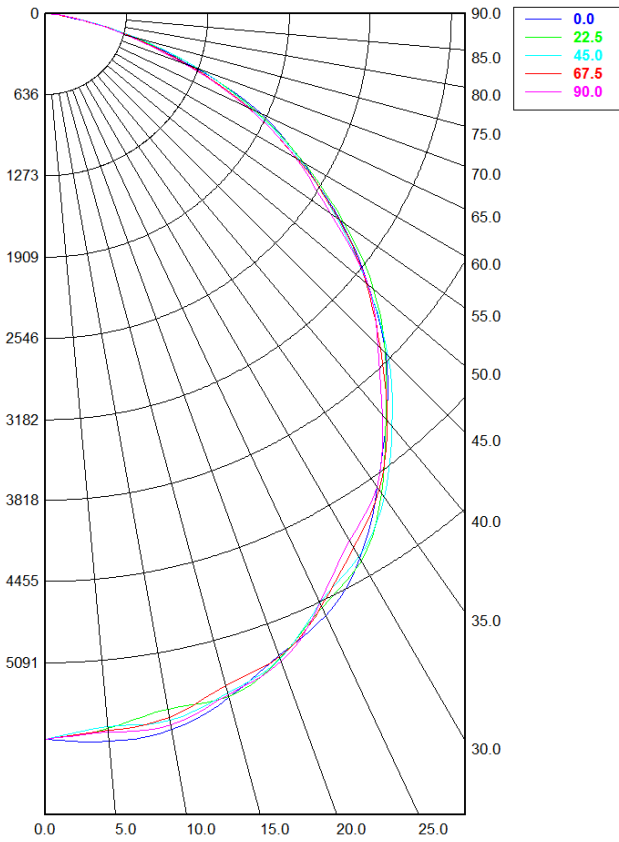
MULTIPLIER TABLE	
COLOR TEMPERATURE	
CCT/CRI	CONVERSION FACTOR
3000K / 80 CRI	0.95
3500K / 80 CRI	0.97
4000K / 80 CRI	1
5000K / 80 CRI	1.03

FIXTURE DETAILS



PHOTOMETRY

PENE-R-22L-L-150-40-L1-MV Total Luminaire Output: 15,341 lumens; 120 Watts



Candela Distribution

	0.00°	22.50°	45.00°	67.50°	90.00°
0.00°	5,689.85	5,689.85	5,689.85	5,689.85	5,689.85
5.00°	<b>5,727.50</b>	5,626.10	5,613.61	5,643.79	5,656.79
10.00°	5,701.81	5,539.13	5,628.20	5,603.21	5,663.88
15.00°	5,553.10	5,546.28	5,516.41	5,454.28	5,530.57
20.00°	5,354.40	5,376.49	5,380.59	5,367.29	5,406.72
25.00°	5,208.16	5,136.35	5,097.23	5,124.66	5,099.94
30.00°	4,937.20	4,955.96	4,921.33	4,837.02	4,773.61
35.00°	4,541.03	4,597.68	4,633.89	4,562.70	4,536.16
40.00°	4,159.08	4,153.75	4,228.83	4,168.80	4,112.36
45.00°	3,774.94	3,773.73	3,802.73	3,716.79	3,683.65
50.00°	3,305.16	3,362.13	3,297.37	3,284.54	3,302.21
55.00°	2,829.08	2,866.84	2,791.98	2,816.89	2,734.91
60.00°	2,318.93	2,335.19	2,307.80	2,276.88	2,264.11
65.00°	1,864.06	1,827.44	1,802.74	1,761.09	1,748.86
70.00°	1,255.08	1,281.94	1,295.53	1,208.21	1,166.06
75.00°	696.64	719.22	732.74	683.07	642.59
80.00°	247.96	263.87	271.70	266.41	253.13
85.00°	30.77	32.07	38.43	39.73	35.54
90.00°	2.51	2.11	2.59	2.60	2.16

Spacing Criterion:

Two luminaires, plane 0°	1.26
Two luminaires, plane 90°	1.25
Four luminaires	1.37

Zonal Lumen Summary

Zone	Lumens	% Fixture
0.00° - 10.00°	570.80	3.72%
10.00° - 20.00°	1,553.46	10.13%
20.00° - 30.00°	2,362.32	15.40%
30.00° - 40.00°	2,846.32	18.55%
40.00° - 50.00°	2,885.92	18.81%
50.00° - 60.00°	2,505.61	16.33%
60.00° - 70.00°	1,762.19	11.49%
70.00° - 80.00°	763.95	4.98%
80.00° - 90.00°	91.26	0.59%
90.00° - 100.00°	0.66	0.00%
100.00° - 110.00°	0.00	0.00%
110.00° - 120.00°	0.00	0.00%
120.00° - 130.00°	0.00	0.00%
130.00° - 140.00°	0.00	0.00%
140.00° - 150.00°	0.00	0.00%
150.00° - 160.00°	0.00	0.00%
160.00° - 170.00°	0.00	0.00%
170.00° - 180.00°	0.00	0.00%
0.00° - 90.00°	15,341.83	100.00%
90.00° - 180.00°	0.66	0.00%
0.00° - 180.00°	15,341.83	100.00%