

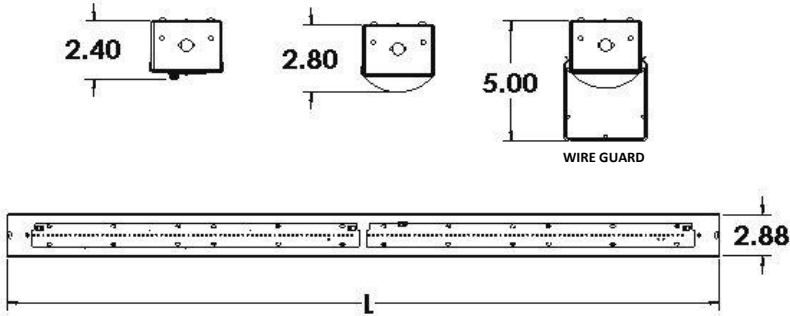
PROJECT:

NOTES:

ORDERING INFORMATION:

**EXAMPLE** PSPE - 45 - L - 40 - 9 - 40 - H5 - MV - WG - CLE1 - DM  
 SERIES    NOM. LENGTH    SOURCE    LUMENS    CRI    KELVINS    LENS    VOLTAGE    OPTIONS    CONTROLS    DRIVER

SHOP DRAWINGS



ORDERING INFORMATION

SERIES

PSPE

KELVIN

- 30    3000K
- 35    3500K
- 40    4000K
- 50    5000K
- TW    Tunable White

NOMINAL LENGTH

24	24"
36	36"
45	45"
90	90"

\*48" and 96" also available on demand

LENS

- H5    White Opal Acrylic
- BLANK    No lens

SOURCE

L    LED

VOLTAGE

- MV    120-277V
- 347    347V

LUMENS

Lumen Package	Nom. Lumens	Wattage
24"		
20	2,000	14
36"		
30	3,000	26
45"		
30	3,000	24
50	5,000	35
80	8,000	57
100	10,000	74
90"		
120	10,000	82
160	16,000	113
200	20,000	145

\*Other lumen packages available

OPTIONS

- WG    Wireguard
- AC#    Suspension Aircraft Cable #ft
- WC#    White Cab Tire Wire #ft
- EM    Emergency Power Pack
- REF    Symmetric Painted Reflector
- BK    Black Housing

CONTROLS

Click on the following link for control options:  
<https://bit.ly/2C5IXqa>

DRIVER

- BLANK    Non-dimming applications
- DM    0-10V dimming
- DA    DALI driver

Click on the following link for special driver options:  
<https://bit.ly/2FqZ6qU>

CRI

BLANK    80 CRI  
 9    90 CRI

FEATURES

- > High-quality LED strip luminaire delivering uniform illumination
- > Compact design for easy installation in tight spaces
- > Surface or suspension mountable
- > Continuous raceway and row-mounting capability
- > Minimum 80 CRI; color range 3000K - 5000K available
- > Tunable White option available
- > Multiple dimming protocols available
- > Energy-saving occupancy sensor option available
- > Efficacies up to 149 lm/W
- > 100% made in Canada

APPLICATIONS

- > Stairwells
- > Corridors
- > Retail Shelving
- > Industrial Racks
- > Coves
- > Locker rooms
- > Task Lighting

LED

FIXTURE PERFORMANCE DATA

SPECIFICATIONS

**Housing/Reflector** – Precision die-formed 22-gauge C.R.S.

**Shielding** – White opal lens

**Finish** – Baked white enamel powder finish applied post production on all surfaces for smooth edges and safe handling.

**Electrical** – High quality mid-power LED boards. L70 >72,000 hours reported / 129,200 hours calculated at maximum allowable output current. L85 >50,000 hours.

**Mounting** – Suspended or Surface

**Listings** –

■ cUL certified as luminaire suitable for dry or damp locations.

**Warranty** – 5-year limited warranty

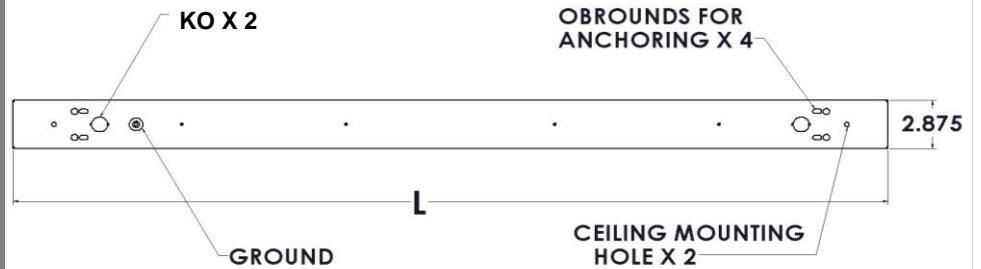
LED PACKAGE	DELIVERED LUMENS	WATTAGE	EFFICACY (lm/W)
24"			
20	2,064	14	147
36"			
30	3,057	26	118
45"			
40	4,064	28	145
50	5,090	35	145
80	8,128	57	145
100	10,173	74	140
90"			
120	12,198	82	149
160	16,255	113	144
200	20,325	145	140

\*Tested in accordance with IESNA LM-79 (based on 25 degrees Celsius)

\*\*Results based on 4000K, 80 CRI, Lens (H0)

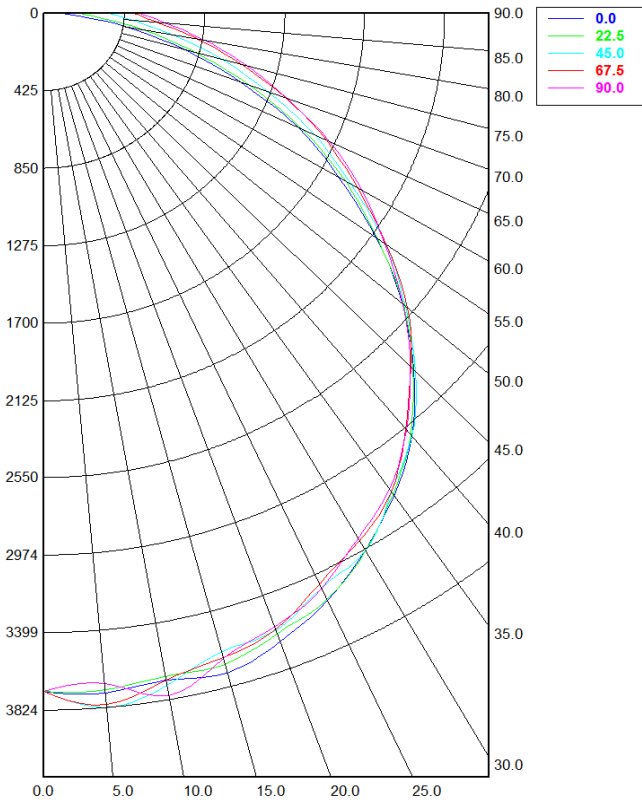
MULTIPLIER TABLE	
COLOR TEMPERATURE	
CCT/CRI	CONVERSION FACTOR
3000K / 80 CRI	0.95
3500K / 80 CRI	0.97
4000K / 80 CRI	1
5000K / 80 CRI	1.03

FIXTURE DETAILS



**PHOTOMETRY**

PSPE-96-L-120-40-H5-MV Total Luminaire Output: 12,198 lumens; 82 Watts



**Candela Distribution**

	0.00°	22.50°	45.00°	67.50°	90.00°
0.00°	3,721.14	3,721.14	3,721.14	3,721.14	3,721.14
5.00°	3,743.60	3,727.94	<b>3,824.32</b>	3,809.57	3,691.35
10.00°	3,718.52	3,694.80	3,744.70	3,716.49	3,801.27
15.00°	3,747.48	3,699.59	3,629.42	3,662.00	3,667.58
20.00°	3,665.75	3,621.14	3,601.02	3,595.77	3,580.25
25.00°	3,557.67	3,550.21	3,479.89	3,453.80	3,482.13
30.00°	3,406.94	3,409.64	3,410.06	3,345.79	3,330.47
35.00°	3,236.74	3,226.64	3,213.50	3,210.51	3,193.79
40.00°	3,035.14	3,025.28	3,034.51	2,984.70	2,989.20
45.00°	2,772.24	2,765.95	2,788.89	2,751.00	2,748.94
50.00°	2,483.49	2,489.45	2,501.25	2,518.83	2,488.21
55.00°	2,156.26	2,159.30	2,215.17	2,219.27	2,207.87
60.00°	1,810.27	1,850.03	1,886.98	1,926.40	1,953.02
65.00°	1,481.52	1,506.73	1,582.31	1,649.83	1,670.08
70.00°	1,104.51	1,157.61	1,255.59	1,361.87	1,368.18
75.00°	764.25	819.56	968.84	1,077.70	1,109.48
80.00°	446.34	532.19	694.37	826.82	863.78
85.00°	186.87	291.62	470.62	606.51	653.21
90.00°	59.38	169.90	340.26	468.12	505.76

**Spacing Criterion:**

Two luminaires, plane 0°	1.35
Two luminaires, plane 90°	1.32
Four luminaires	1.45

**Zonal Lumen Summary**

Zone	Lumens	% Fixture
0.00° - 10.00°	379.82	3.11%
10.00° - 20.00°	1,037.20	8.50%
20.00° - 30.00°	1,613.08	13.22%
30.00° - 40.00°	2,005.92	16.44%
40.00° - 50.00°	2,127.94	17.44%
50.00° - 60.00°	1,957.43	16.05%
60.00° - 70.00°	1,554.62	12.74%
70.00° - 80.00°	1,008.80	8.27%
80.00° - 90.00°	513.34	4.21%
90.00° - 100.00°	86.38	0.71%
100.00° - 110.00°	0.00	0.00%
110.00° - 120.00°	0.00	0.00%
120.00° - 130.00°	0.00	0.00%
130.00° - 140.00°	0.00	0.00%
140.00° - 150.00°	0.00	0.00%
150.00° - 160.00°	0.00	0.00%
160.00° - 170.00°	0.00	0.00%
170.00° - 180.00°	0.00	0.00%
0.00° - 90.00°	12,198.14	100.00%
90.00° - 180.00°	86.38	0.71%
0.00° - 180.00°	12,198.14	100.00%

