

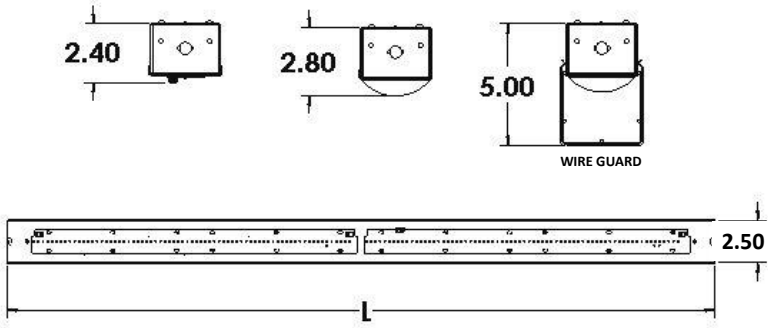
PROJECT:

NOTES:

ORDERING INFORMATION:

EXAMPLE PSPE - 45 - L - 40 - 9 - 40 - H5 - MV - WG - D
 SERIES NOM. LENGTH SOURCE LUMENS CRI KELVINS LENS VOLTAGE OPTIONS DRIVER

SHOP DRAWINGS



ORDERING INFORMATION

SERIES	
PSPE	
NOMINAL LENGTH	
24	24"
36	36"
45	45"
90	90"

*48" and 96" also available on demand but wider

SOURCE	
L	LED

LUMENS

Lumen Package	Nominal Lumens
24"	
20	2,000
36"	
30	3,000
45"	
30	3,000
50	5,000
100	10,000
90"	
80	8,000
120	12,000
160	16,000

*Other lumen packages available

CRI	
BLANK	80 CRI
9	90 CRI

KELVIN	
30	3000K
35	3500K
40	4000K
50	5000K
TW	Tunable White

LENS	
H5	White Opal Acrylic
BLANK	No lens

VOLTAGE	
MV	120-277V
347	347V

OPTIONS	
WG	Wireguard
AC#	Suspension Aircraft Cable #ft
WC#	White Cab Tire Wire #ft
EM	Emergency Power Pack
REF	Symmetric Painted Reflector
BK	Black Housing
OF	External Mount Occupancy Sensor

DRIVERS	
ND	Non-dimming applications
D	0-10V dimming
DA	DALI driver

FEATURES

- > High-quality LED strip luminaire delivering uniform illumination
- > Compact design for easy installation in tight spaces
- > Surface or suspension mountable
- > Continuous raceway and row-mounting capability
- > Minimum 80 CRI; color range 3000K - 5000K available
- > Tunable White option available
- > Multiple dimming protocols available
- > Energy-saving occupancy sensor option available

APPLICATIONS

- > Stairwells
- > Corridors
- > Retail Shelving
- > Industrial Racks
- > Coves
- > Locker rooms
- > Task Lighting

LED

FIXTURE PERFORMANCE DATA

SPECIFICATIONS

Housing/Reflector – Precision die-formed 22-gauge C.R.S.

Shielding – White opal lens

Finish – Baked white enamel powder finish applied post production on all surfaces for smooth edges and safe handling.

Electrical – High quality mid-power LED boards. L70 >72,000 hours reported / 129,200 hours calculated at maximum allowable output current. L85 >50,000 hours.

Mounting – Suspended or Surface

Listings –

■ cUL certified as luminaire suitable for dry or damp locations.

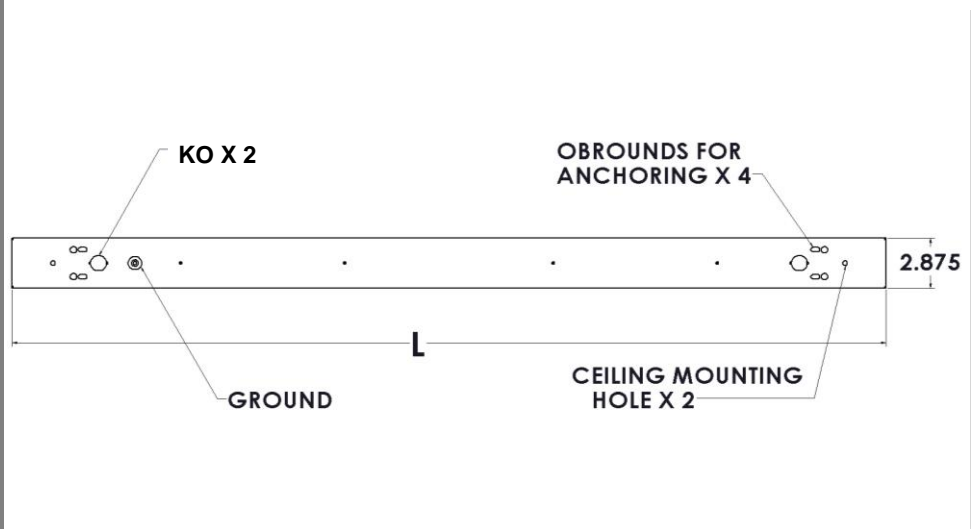
Warranty – 5-year limited warranty

LED PACKAGE	DELIVERED LUMENS	WATTAGE	EFFICACY (lm/W)
24"			
20	2,064	14	147
36"			
30	3,057	26	118
45"			
40	4,064	28	145
50	5,090	35	145
80	8,128	57	145
90"			
120	12,198	82	149
160	16,255	113	144

*Results based on 4000K, 80 CRI, Lens (H5)

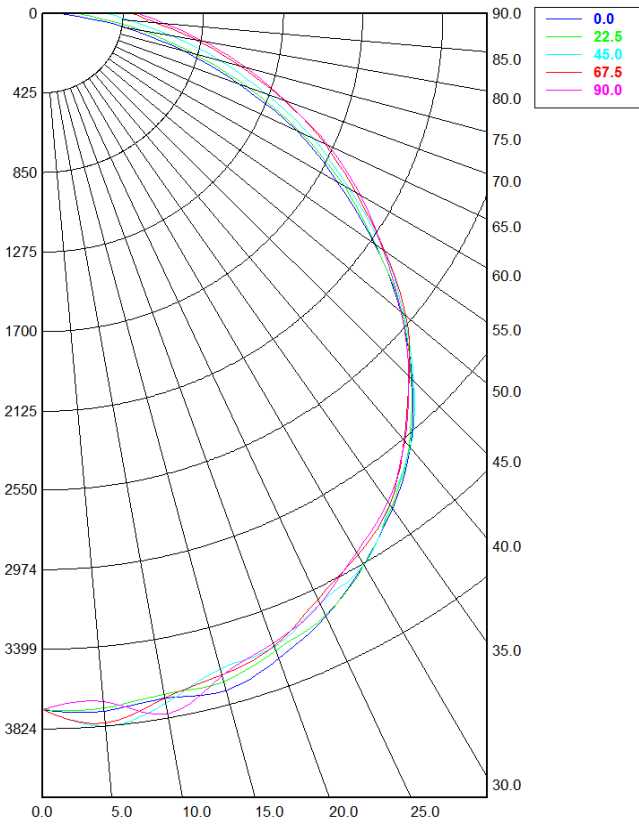
MULTIPLIER TABLE	
COLOR TEMPERATURE	
CCT/CRI	CONVERSION FACTOR
3000K / 80 CRI	0.95
3500K / 80 CRI	0.97
4000K / 80 CRI	1
5000K / 80 CRI	1.03

FIXTURE DETAILS



PHOTOMETRY

PSPE-90-L-120-40-H5-MV Total Luminaire Output: 12,198 lumens; 82 Watts



Candela Distribution

	0.00°	22.50°	45.00°	67.50°	90.00°
0.00°	3,721.14	3,721.14	3,721.14	3,721.14	3,721.14
5.00°	3,743.60	3,727.94	3,824.32	3,809.57	3,691.35
10.00°	3,718.52	3,694.80	3,744.70	3,716.49	3,801.27
15.00°	3,747.48	3,699.59	3,629.42	3,662.00	3,667.58
20.00°	3,665.75	3,621.14	3,601.02	3,595.77	3,580.25
25.00°	3,557.67	3,550.21	3,479.89	3,453.80	3,482.13
30.00°	3,406.94	3,409.64	3,410.06	3,345.79	3,330.47
35.00°	3,236.74	3,226.64	3,213.50	3,210.51	3,193.79
40.00°	3,035.14	3,025.28	3,034.51	2,984.70	2,989.20
45.00°	2,772.24	2,765.95	2,788.89	2,751.00	2,748.94
50.00°	2,483.49	2,489.45	2,501.25	2,518.83	2,488.21
55.00°	2,156.26	2,159.30	2,215.17	2,219.27	2,207.87
60.00°	1,810.27	1,850.03	1,886.98	1,926.40	1,953.02
65.00°	1,481.52	1,506.73	1,582.31	1,649.83	1,670.08
70.00°	1,104.51	1,157.61	1,255.59	1,361.87	1,368.18
75.00°	764.25	819.56	968.84	1,077.70	1,109.48
80.00°	446.34	532.19	694.37	826.82	863.78
85.00°	186.87	291.62	470.62	606.51	653.21
90.00°	59.38	169.90	340.26	468.12	505.76

Spacing Criterion:

Two luminaires, plane 0°	1.35
Two luminaires, plane 90°	1.32
Four luminaires	1.45

Zonal Lumen Summary

Zone	Lumens	% Fixture
0.00° - 10.00°	379.82	3.11%
10.00° - 20.00°	1,037.20	8.50%
20.00° - 30.00°	1,613.08	13.22%
30.00° - 40.00°	2,005.92	16.44%
40.00° - 50.00°	2,127.94	17.44%
50.00° - 60.00°	1,957.43	16.05%
60.00° - 70.00°	1,554.62	12.74%
70.00° - 80.00°	1,008.80	8.27%
80.00° - 90.00°	513.34	4.21%
90.00° - 100.00°	86.38	0.71%
100.00° - 110.00°	0.00	0.00%
110.00° - 120.00°	0.00	0.00%
120.00° - 130.00°	0.00	0.00%
130.00° - 140.00°	0.00	0.00%
140.00° - 150.00°	0.00	0.00%
150.00° - 160.00°	0.00	0.00%
160.00° - 170.00°	0.00	0.00%
170.00° - 180.00°	0.00	0.00%
0.00° - 90.00°	12,198.14	100.00%
90.00° - 180.00°	86.38	0.71%
0.00° - 180.00°	12,198.14	100.00%