

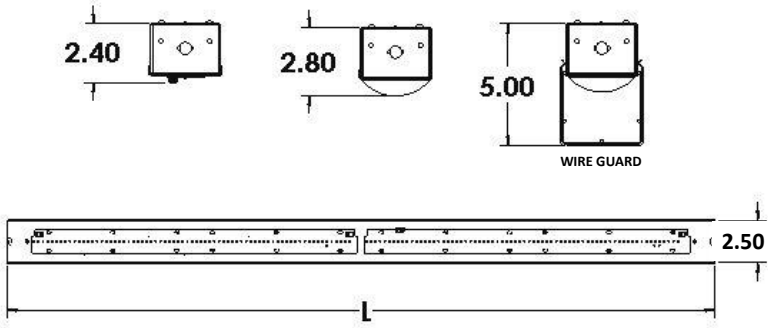
PROJECT:

NOTES:

ORDERING INFORMATION:

EXAMPLE PSPE - 45 - L - 40 - 9 - 40 - H5 - MV - WG - D
 SERIES NOM. LENGTH SOURCE LUMENS CRI KELVINS LENS VOLTAGE OPTIONS DRIVER

SHOP DRAWINGS



ORDERING INFORMATION

SERIES	
PSPE	
NOMINAL LENGTH	
24	24"
36	36"
45	45"
90	90"

*48" and 96" also available on demand but wider

SOURCE	
L	LED

LUMENS	
--------	--

Lumen Package	Nominal Lumens
24"	
20	2,000
36"	
30	3,000
45"	
30	3,000
50	5,000
80	8,000
100	10,000
90"	
120	10,000
160	16,000
200	20,000

*Other lumen packages available

CRI	
BLANK	80 CRI
9	90 CRI

KELVIN	
30	3000K
35	3500K
40	4000K
50	5000K
TW	Tunable White

LENS	
H5	White Opal Acrylic
BLANK	No lens

VOLTAGE	
MV	120-277V
347	347V

OPTIONS	
WG	Wireguard
AC#	Suspension Aircraft Cable #ft
WC#	White Cab Tire Wire #ft
EM	Emergency Power Pack
REF	Symmetric Painted Reflector
BK	Black Housing
OF	External Mount Occupancy Sensor

DRIVERS	
ND	Non-dimming applications
D	0-10V dimming
DA	DALI driver

FEATURES

- > High-quality LED strip luminaire delivering uniform illumination
- > Compact design for easy installation in tight spaces
- > Surface or suspension mountable
- > Continuous raceway and row-mounting capability
- > Minimum 80 CRI; color range 3000K - 5000K available
- > Tunable White option available
- > Multiple dimming protocols available
- > Energy-saving occupancy sensor option available

APPLICATIONS

- > Stairwells
- > Corridors
- > Retail Shelving
- > Industrial Racks
- > Coves
- > Locker rooms
- > Task Lighting

LED

FIXTURE PERFORMANCE DATA

SPECIFICATIONS

Housing/Reflector – Precision die-formed 22-gauge C.R.S.

Shielding – White opal lens

Finish – Baked white enamel powder finish applied post production on all surfaces for smooth edges and safe handling.

Electrical – High quality mid-power LED boards. L70 >72,000 hours reported / 129,200 hours calculated at maximum allowable output current. L85 >50,000 hours.

Mounting – Suspended or Surface

Listings –

■ cUL certified as luminaire suitable for dry or damp locations.

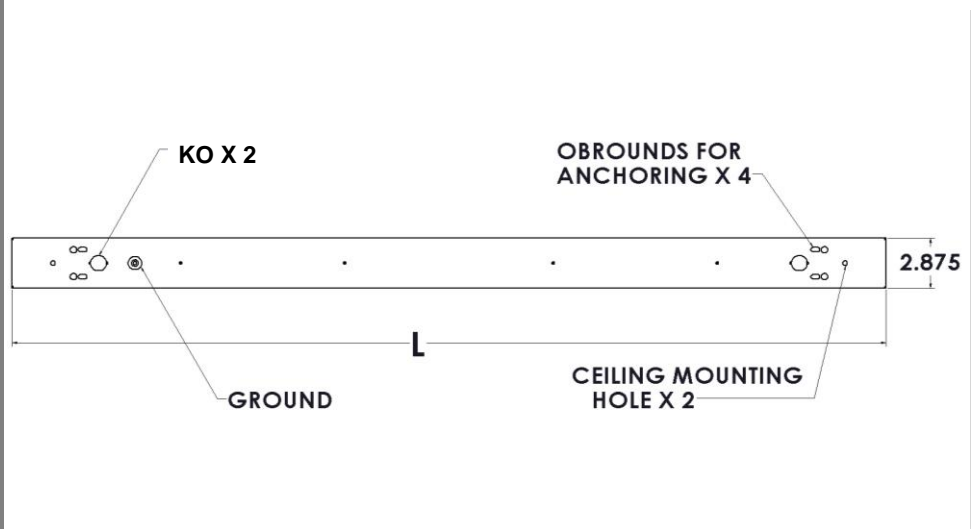
Warranty – 5-year limited warranty

LED PACKAGE	DELIVERED LUMENS	WATTAGE	EFFICACY (lm/W)
24"			
20	2,064	14	147
36"			
30	3,057	26	118
45"			
40	4,064	28	145
50	5,090	35	145
80	8,128	57	145
100	10,173	74	140
90"			
120	12,198	82	149
160	16,255	113	144
200	20,325	145	140

*Results based on 4000K, 80 CRI, Lens (H0)

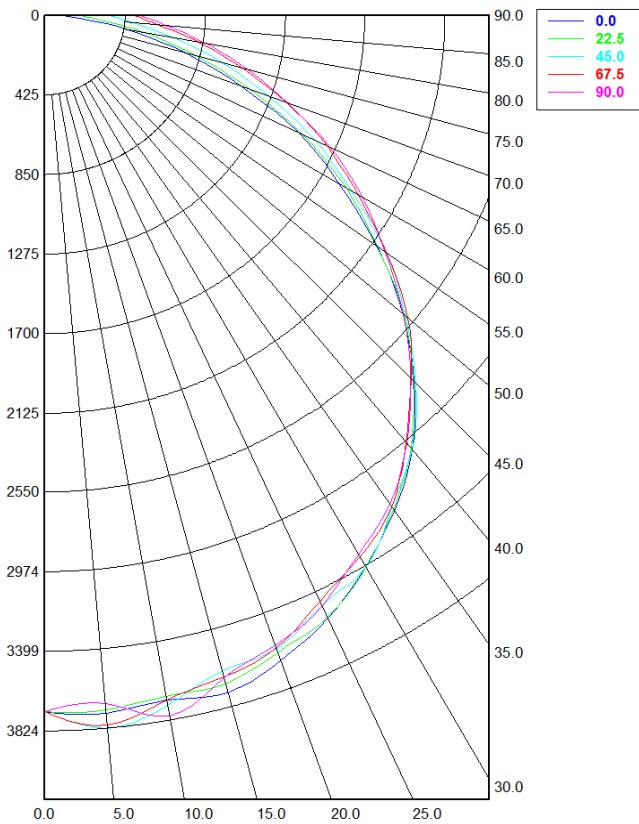
MULTIPLIER TABLE	
COLOR TEMPERATURE	
CCT/CRI	CONVERSION FACTOR
3000K / 80 CRI	0.95
3500K / 80 CRI	0.97
4000K / 80 CRI	1
5000K / 80 CRI	1.03

FIXTURE DETAILS



PHOTOMETRY

PSPE-96-L-120-40-H5-MV Total Luminaire Output: 12,198 lumens; 82 Watts



Candela Distribution

	0.00°	22.50°	45.00°	67.50°	90.00°
0.00°	3,721.14	3,721.14	3,721.14	3,721.14	3,721.14
5.00°	3,743.60	3,727.94	3,824.32	3,809.57	3,691.35
10.00°	3,718.52	3,694.80	3,744.70	3,716.49	3,801.27
15.00°	3,747.48	3,699.59	3,629.42	3,662.00	3,667.58
20.00°	3,665.75	3,621.14	3,601.02	3,595.77	3,580.25
25.00°	3,557.67	3,550.21	3,479.89	3,453.80	3,482.13
30.00°	3,406.94	3,409.64	3,410.06	3,345.79	3,330.47
35.00°	3,236.74	3,226.64	3,213.50	3,210.51	3,193.79
40.00°	3,035.14	3,025.28	3,034.51	2,984.70	2,989.20
45.00°	2,772.24	2,765.95	2,788.89	2,751.00	2,748.94
50.00°	2,483.49	2,489.45	2,501.25	2,518.83	2,488.21
55.00°	2,156.26	2,159.30	2,215.17	2,219.27	2,207.87
60.00°	1,810.27	1,850.03	1,886.98	1,926.40	1,953.02
65.00°	1,481.52	1,506.73	1,582.31	1,649.83	1,670.08
70.00°	1,104.51	1,157.61	1,255.59	1,361.87	1,368.18
75.00°	764.25	819.56	968.84	1,077.70	1,109.48
80.00°	446.34	532.19	694.37	826.82	863.78
85.00°	186.87	291.62	470.62	606.51	653.21
90.00°	59.38	169.90	340.26	468.12	505.76

Spacing Criterion:

Two luminaires, plane 0°	1.35
Two luminaires, plane 90°	1.32
Four luminaires	1.45

Zonal Lumen Summary

Zone	Lumens	% Fixture
0.00° - 10.00°	379.82	3.11%
10.00° - 20.00°	1,037.20	8.50%
20.00° - 30.00°	1,613.08	13.22%
30.00° - 40.00°	2,005.92	16.44%
40.00° - 50.00°	2,127.94	17.44%
50.00° - 60.00°	1,957.43	16.05%
60.00° - 70.00°	1,554.62	12.74%
70.00° - 80.00°	1,008.80	8.27%
80.00° - 90.00°	513.34	4.21%
90.00° - 100.00°	86.38	0.71%
100.00° - 110.00°	0.00	0.00%
110.00° - 120.00°	0.00	0.00%
120.00° - 130.00°	0.00	0.00%
130.00° - 140.00°	0.00	0.00%
140.00° - 150.00°	0.00	0.00%
150.00° - 160.00°	0.00	0.00%
160.00° - 170.00°	0.00	0.00%
170.00° - 180.00°	0.00	0.00%
0.00° - 90.00°	12,198.14	100.00%
90.00° - 180.00°	86.38	0.71%
0.00° - 180.00°	12,198.14	100.00%