

! IMPORTANT

Read instructions carefully before installing. Keep these instructions for future reference.

Fixture must be wired in accordance with the National Electrical Code and all applicable local code. Proper grounding is required for safety. This product must be installed in accordance with the applicable installation code by a qualified electrician who is familiar with the construction and operation of the product and the hazard involved.

- All wiring connections should be capped with UL or CSA approved wire connectors.
- Min 90o C supply conductor.

! IMPORTANT SAFETY INFORMATION

Caution: Installation and servicing of this luminaire should be performed by qualified personnel only.

Caution: This fixture is designed for permanent installation in ordinary (Non-Hazardous) locations in accordance with the National Electrical Code. Do not use in areas of limited ventilation or in high ambient enclosures. The lamp and fixture operate at high temperature. Contact with combustible material can cause fire and personal contact can cause severe burns.

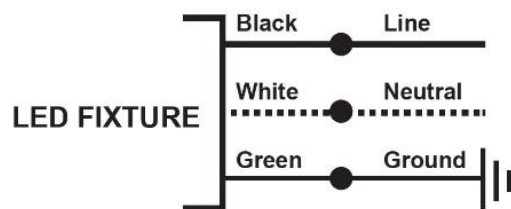
! CLEANING AND MAINTENANCE

Caution: Do not clean or maintain while the luminaire is energized. Check that the luminaire temperature is cool enough to touch. Periodically check and remove any accumulated dirt or debris around luminaire. DO NOT TOUCH LED's.

GENERAL WIRING DIAGRAM

All units must be individually connected to the AC Supply

All units must be connected to ac power supply: Select appropriate access point for your installation, remove knockout, and feed power lead through hole. Connect the supply wire from the source to the driver.



INFOS

780 rue Salaberry, Laval, Canada, H7S 1H3
info@pacolighting.com
Pacolighting.com
© 2020 PACO Lighting

Tel: 450.668.9620
Fax: 450.668.9625

ÉCLAIRAGES

PACO
LIGHTING

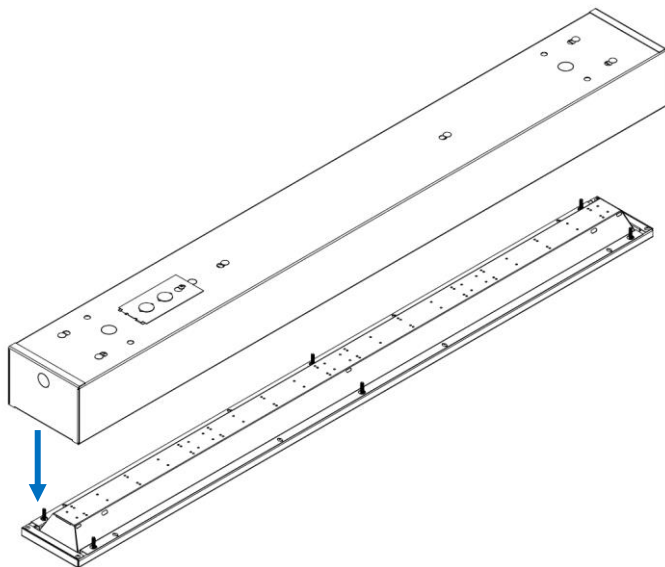
Suspended – Stem mounted

! WARNING

Risk of fire and electrical shock. Fixture must be installed by a qualified electrician only in accordance with national, local building and electrical codes. Disconnect power at electrical panel before servicing

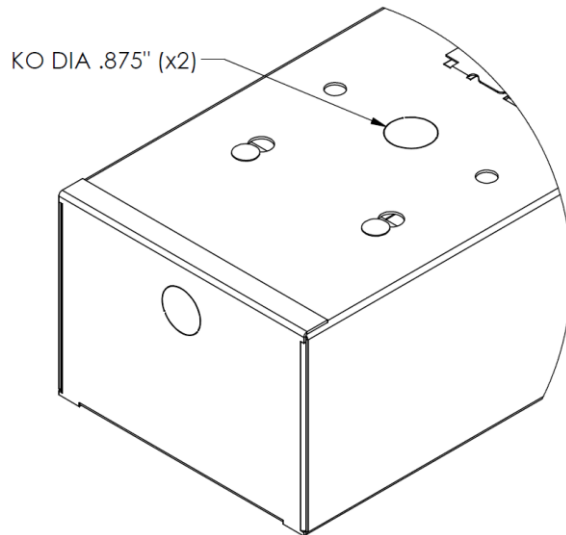
1 PREPARE THE FIXTURE:

- Unscrew lens frame and remove it with its reflector
- Disconnect electrical cables if needed for installation



2 ASSEMBLING THE STEMS WITH THE FIXTURE:

- Remove knockouts at both ends
- Install stems while according to the manufacturer's instructions



NOTE: HARDWARE IS FURNISHED BY OTHERS

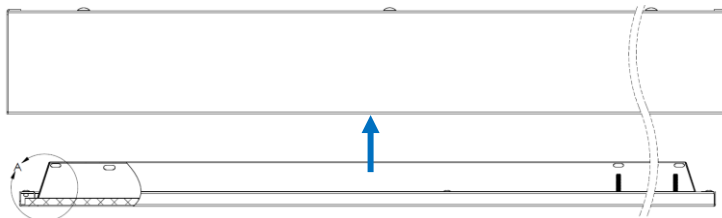
3 INSTALLING THE CANOPIES:

- Assemble and install the canopies according to the manufacturer's instructions
- Do the appropriate electrical connections
- Connect the stems to the canopies
- Adjust and level the fixtures by adjusting the nuts on the stems

NOTE: It is possible to have the power feed pass through the stem

4 REASSEMBLE THE FIXTURE:

- Verify that the reflector is well placed onto the lens
- Reinstall the frame to the light fixture



REFLECTOR IS IN CONTACT WITH THE LENS

DETAIL A

