

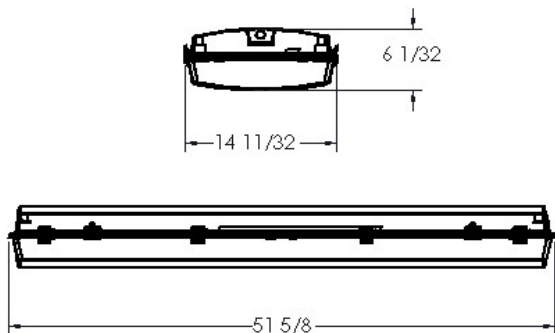
PROJECT:

NOTES:

ORDERING INFORMATION:

EXAMPLE PUAC-B - 4F - L - 240 - 9 - 50 - FP - MV - BC10 - DM
SERIES NOM. LENGTH SOURCE LUMENS CRI KELVINS LENS VOLTAGE OPTIONS DRIVER

SHOP DRAWINGS



ORDERING INFORMATION

SERIES	
PUAC-B	
NOMINAL LENGTH	
2F	26"
4F	52"

KELVIN	
30	3000K
35	3500K
40	4000K
50	5000K
TW	Tunable White

LENS	
CA	Clear Acrylic
FR	Frosted Acrylic
FP	Frosted Polycarbonate
CP	Clear Polycarbonate

SOURCE	
L	LED

VOLTAGE	
MV	120-277V
347	347V

LUMENS

Lumen Package*	Nominal Lumens
26"	
100	10,000
120	12,000
48"	
120	12,000
160	16,000
200	20,000
240	24,000
300	30,000
400**	40,000

OPTIONS	
BC#	Black Cab Tire Wire #ft
WC#	White Cab Tire Wire #ft
CS#	Chain Suspension Kit #ft
CM	Center Mount Option
AC#	Aircraft Suspension Kit #ft
OX	External IP65 PIR (ON/OFF) Motion Detector
OY	External IP65 PIR Motion, Daylight Harvesting and Step Dimming Sensor
EM	Emergency Power Pack
NB	Narrow Beam
RM*	Rigid Mount (pipe thread supplied by others)

*Other lumen packages available.

*Special housing needed for this type of mounting

**Only possible with clear lens and ambient temperature must be below 30 Celsius

CRI	
BLANK	80 CRI
9	90 CRI

DRIVER	
ND	Non-dimming applications
DM	0-10V dimming
DA	DALI driver

FEATURES

- > Robust luminaire built to withstand wet and harsh locations
- > Suitable for food processing and cold storage environments
- > Versatile fixture for indoor or outdoor, hot or cold, low mount or high mount applications
- > Luminaire 100% assembled with NSF listed components (housings, lenses, latches and brackets)
- > IP66/67 rating
- > Durable construction and long-lasting electrical components
- > Variety of lenses available to optimize illumination characteristics appropriate to specific application
- > Stainless Steel Latches
- > Made in Canada

APPLICATIONS

- > Food Processing Facilities
- > Manufacturing Plants
- > Parking garages
- > Cold Storage
- > Industrial applications
- > Pulp and Paper Mills
- > Swimming Pool Complexes
- > Warehouses

LED

FIXTURE PERFORMANCE DATA

SPECIFICATIONS

Housing/Reflector – One-piece 5VA fiberglass housing with continuous poured-in-place, closed-cell gasket

Shielding – Variety of lenses available

Finish – White fiberglass housing suitable for outdoor use with respect to exposure to ultraviolet light, water exposure and immersion.

Electrical – High quality mid-power LED boards. L85 >50,000 hours.

Mounting – Suspended or surface

Listings –

- cUL certified as luminaire suitable for wet, dry or damp locations.
- IP65, IP66, IP67 rated.
- NEMA 4X

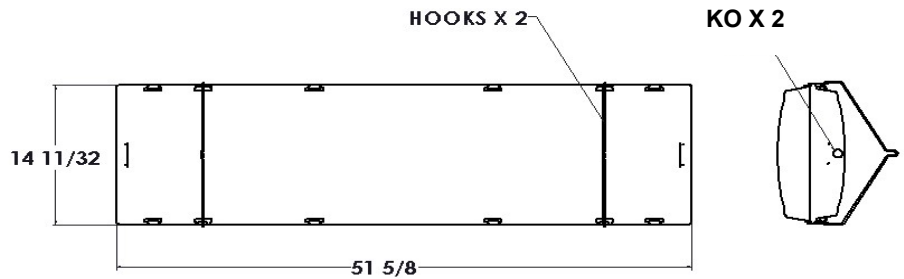
Warranty – 5-year limited warranty

LED PACKAGE	DELIVERED LUMENS	WATTAGE	EFFICACY (lm/W)
2F			
100	10,444	84	124
120	12,075	95	127
4F			
120	12,391	94	132
160	15,473	115	134
200	20,625	152	136
240	24,755	188	131

**Results based on 4000K, 80 CRI, Clear Lens

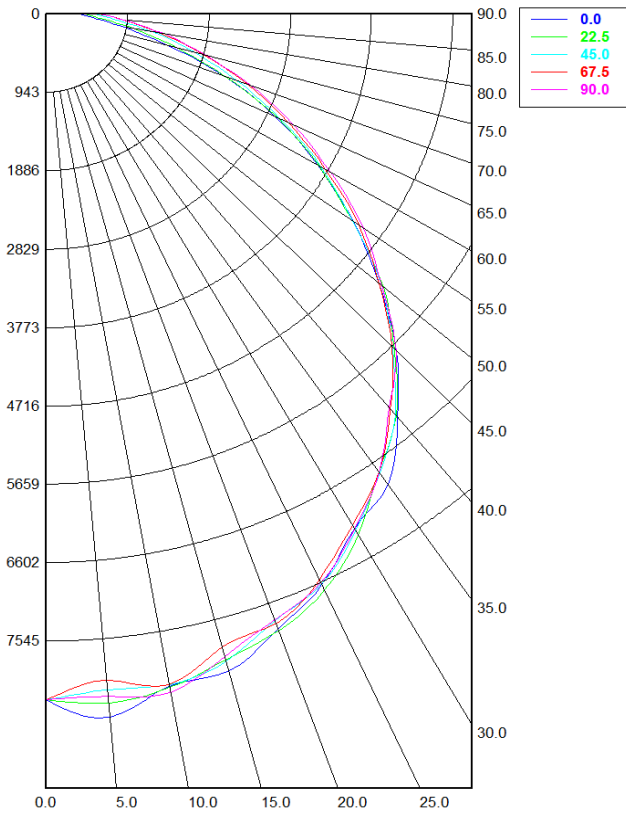
MULTIPLIER TABLE	
COLOR TEMPERATURE	
CCT/CRI	CONVERSION FACTOR
3000K / 80 CRI	0.95
3500K / 80 CRI	0.97
4000K / 80 CRI	1
5000K / 80 CRI	1.03

FIXTURE DETAILS



PHOTOMETRY

PUAC-B-4F-L-240-40-MV-FR Total Luminaire Output: 24,755 lumens; 166 Watts



Candela Distribution

	0.00°	22.50°	45.00°	67.50°	90.00°
0.00°	8,251.10	8,251.10	8,251.10	8,251.10	8,251.10
5.00°	8,488.21	8,317.50	8,159.27	8,047.52	8,242.14
10.00°	8,211.48	8,229.74	8,190.18	8,192.08	8,285.72
15.00°	8,183.20	8,044.62	8,058.03	7,885.50	8,001.69
20.00°	7,862.92	7,890.03	7,761.79	7,797.45	7,755.07
25.00°	7,580.44	7,646.98	7,567.87	7,503.97	7,546.46
30.00°	7,153.59	7,244.81	7,181.68	7,112.56	7,159.89
35.00°	6,914.63	6,728.60	6,749.76	6,733.08	6,738.94
40.00°	6,347.12	6,322.89	6,299.27	6,214.02	6,196.22
45.00°	5,751.03	5,715.07	5,682.58	5,675.58	5,742.64
50.00°	5,043.72	5,107.21	5,083.58	5,046.41	5,088.18
55.00°	4,358.11	4,340.58	4,361.02	4,432.50	4,497.33
60.00°	3,632.06	3,645.62	3,681.45	3,740.92	3,811.19
65.00°	2,926.12	2,943.09	2,996.08	3,095.72	3,154.65
70.00°	2,205.09	2,205.06	2,346.41	2,478.27	2,513.16
75.00°	1,432.22	1,541.42	1,770.00	1,878.91	1,899.66
80.00°	888.67	1,019.66	1,248.21	1,344.06	1,378.63
85.00°	543.49	610.83	787.96	900.24	900.21
90.00°	355.80	432.24	571.99	616.73	624.69

Spacing Criterion:

Two luminaires, plane 0°	1.3
Two luminaires, plane 90°	1.27
Four luminaires	1.39

Zonal Lumen Summary

Zone	Lumens	% Fixture
0.00° - 10.00°	833.13	3.36%
10.00° - 20.00°	2,261.29	9.13%
20.00° - 30.00°	3,469.34	14.01%
30.00° - 40.00°	4,214.07	17.02%
40.00° - 50.00°	4,382.67	17.70%
50.00° - 60.00°	3,914.58	15.81%
60.00° - 70.00°	2,981.78	12.04%
70.00° - 80.00°	1,832.26	7.40%
80.00° - 90.00°	877.26	3.54%
90.00° - 100.00°	144.64	0.58%