

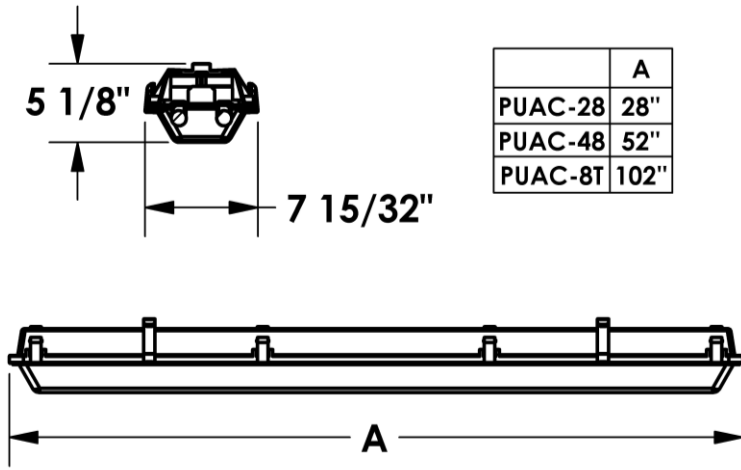
PROJECT:

NOTES:

ORDERING INFORMATION:

EXAMPLE PUAC-A - 4F - L - 83 - 9 - 50 - FA - MV - BC10 - D
SERIES NOM. LENGTH SOURCE LUMENS CRI KELVINS LENS VOLTAGE OPTIONS DRIVER

SHOP DRAWINGS



ORDERING INFORMATION

SERIES

PUAC-A

KELVIN

30	3000K
35	3500K
40	4000K
50	5000K
TW	Tunable White

NOMINAL LENGTH

2F	28"
4F	52"
8F	102"

LENS

RA	Clear Ribbed Acrylic
RP	Clear Ribbed Polycarbonate
CA	Clear Smooth Acrylic
FP	Frosted Polycarbonate
FA	Frosted Acrylic

LUMENS

Lumen Package*	Nominal Lumens
2F	
10	1,000
30	3,000
4F	
20	2,000
40	4,000
60	6,000
83	8,300
8F	
100	10,000
120	12,000
160	16,000
200	20,000

*Other lumen packages available.

VOLTAGE

MV	120-277V
347	347V

OPTIONS

45D	45 Degree Brackets
BC#	Black Cab Tire Wire #ft
SS	Stainless Steel Latches
CS#	Chain Suspension Kit #ft
CM	Center Mount Option
OX	External IP65 PIR (ON/OFF) Motion Detector
OY	Internal IP65 PIR Motion, Daylight Harvesting and Step Dimming Sensor
EM	Emergency Powerpack
MB*	Mounting Bracket for Threaded Rods

*Threaded rods not supplied by Pa-Co

CRI

BLANK	80 CRI
9	90 CRI

DRIVER

ND	Non-dimming applications
D	0-10V dimming
DA	DALI driver

FEATURES

- > Robust luminaire built to withstand wet and harsh locations
- > Suitable for food processing and cold storage environments
- > Versatile fixture for indoor or outdoor, hot or cold, low mount or high mount applications
- > Luminaire 100% assembled with NSF listed components (housings, lenses, latches and brackets)
- > IP66/67
- > IK10 rated (with polycarbonate lens)
- > Durable construction and long-lasting electrical components
- > Variety of lenses available to optimize illumination characteristics appropriate to specific application

APPLICATIONS

- > Food Processing Facilities
- > Manufacturing Plants
- > Parking garages
- > Cold Storage
- > Industrial applications
- > Pulp and Paper Mills
- > Swimming Pool Complexes
- > Warehouses

LED

FIXTURE PERFORMANCE DATA

SPECIFICATIONS

Housing/Reflector – One-piece 5VA fiberglass housing with continuous poured-in-place, closed-cell gasket

Shielding – Variety of lenses available

Finish – White fiberglass housing suitable for outdoor use with respect to exposure to ultraviolet light, water exposure and immersion.

Electrical – High quality mid-power LED boards. L70 >72,000 hours reported / 129,200 hours calculated at maximum allowable output current. L85 >50,000 hours.

Mounting – Suspended or surface

Listings –

- cUL certified as luminaire suitable for dry or damp locations.
- IP65, IP66, IP67 rated.
- NEMA 4X and NSF compliant.

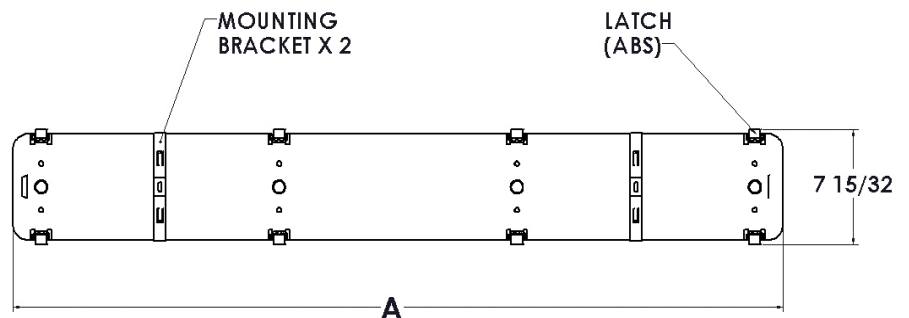
Warranty – 5-year limited warranty

LED PACKAGE	DELIVERED LUMENS	WATTAGE	EFFICACY (lm/W)
4F			
40	4,056	31	131
83	8,853	60	148
8F			
100	9,955	79	126
160	15,992	102	157

*Results based on 4000K, 80 CRI, Frosted Acrylic Lens

MULTIPLIER TABLE	
COLOR TEMPERATURE	
CCT/CRI	CONVERSION FACTOR
3000K / 80 CRI	0.95
3500K / 80 CRI	0.97
4000K / 80 CRI	1
5000K / 80 CRI	1.03

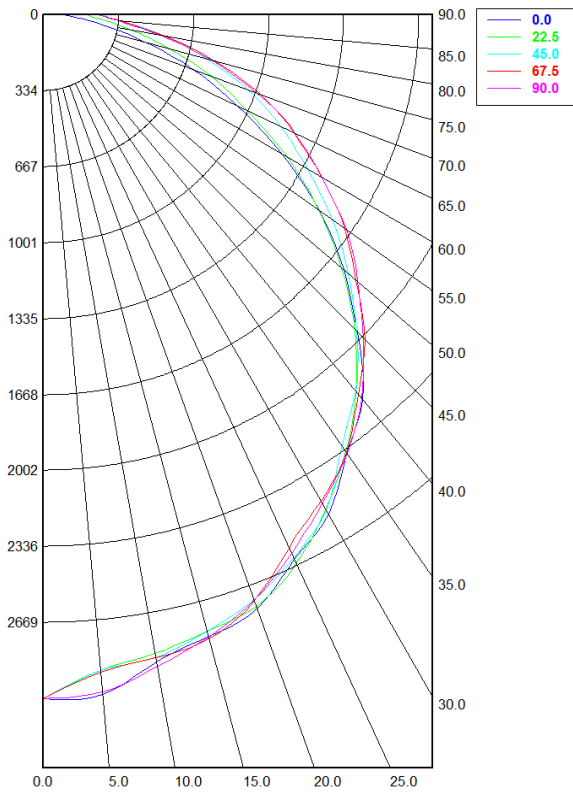
FIXTURE DETAILS



PHOTOMETRY

PUAC-A-4F-L-83-40-MV-FA Total Luminaire Output: 8,853 lumens; 60 Watts

Candela Distribution



	0.00°	22.50°	45.00°	67.50°	90.00°
0.00°	3,721.14	3,721.14	3,721.14	3,721.14	3,721.14
5.00°	3,743.60	3,727.94	3,824.32	3,809.57	3,691.35
10.00°	3,718.52	3,694.80	3,744.70	3,716.49	3,801.27
15.00°	3,747.48	3,699.59	3,629.42	3,662.00	3,667.58
20.00°	3,665.75	3,621.14	3,601.02	3,595.77	3,580.25
25.00°	3,557.67	3,550.21	3,479.89	3,453.80	3,482.13
30.00°	3,406.94	3,409.64	3,410.06	3,345.79	3,330.47
35.00°	3,236.74	3,226.64	3,213.50	3,210.51	3,193.79
40.00°	3,035.14	3,025.28	3,034.51	2,984.70	2,989.20
45.00°	2,772.24	2,765.95	2,788.89	2,751.00	2,748.94
50.00°	2,483.49	2,489.45	2,501.25	2,518.83	2,488.21
55.00°	2,156.26	2,159.30	2,215.17	2,219.27	2,207.87
60.00°	1,810.27	1,850.03	1,886.98	1,926.40	1,953.02
65.00°	1,481.52	1,506.73	1,582.31	1,649.83	1,670.08
70.00°	1,104.51	1,157.61	1,255.59	1,361.87	1,368.18
75.00°	764.25	819.56	968.84	1,077.70	1,109.48
80.00°	446.34	532.19	694.37	826.82	863.78
85.00°	186.87	291.62	470.62	606.51	653.21
90.00°	59.38	169.90	340.26	468.12	505.76

Zonal Lumen Summary

Zone	Lumens	% Fixture
0.00° - 10.00°	379.82	3.11%
10.00° - 20.00°	1,037.20	8.50%
20.00° - 30.00°	1,613.08	13.22%
30.00° - 40.00°	2,005.92	16.44%
40.00° - 50.00°	2,127.94	17.44%
50.00° - 60.00°	1,957.43	16.05%
60.00° - 70.00°	1,554.62	12.74%
70.00° - 80.00°	1,008.80	8.27%
80.00° - 90.00°	513.34	4.21%
90.00° - 100.00°	86.38	0.71%
100.00° - 110.00°	0.00	0.00%
110.00° - 120.00°	0.00	0.00%
120.00° - 130.00°	0.00	0.00%
130.00° - 140.00°	0.00	0.00%
140.00° - 150.00°	0.00	0.00%
150.00° - 160.00°	0.00	0.00%
160.00° - 170.00°	0.00	0.00%
170.00° - 180.00°	0.00	0.00%
0.00° - 90.00°	12,198.14	100.00%
90.00° - 180.00°	86.38	0.71%
0.00° - 180.00°	12,198.14	100.00%

Spacing Criterion:

Two luminaires, plane 0°	1.35
Two luminaires, plane 90°	1.32
Four luminaires	1.45