

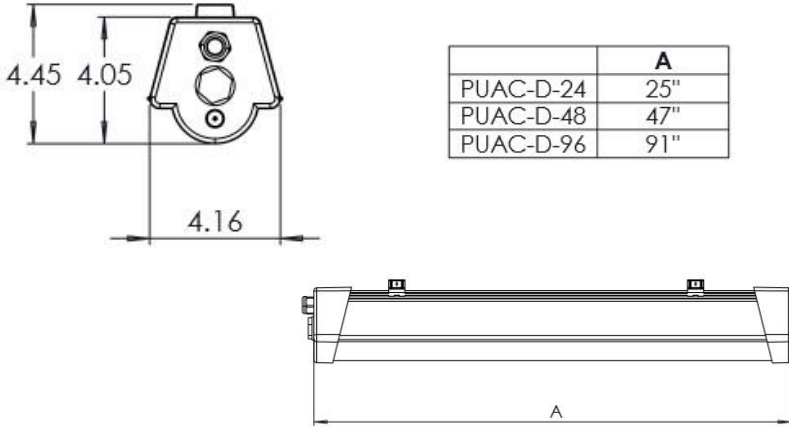
PROJECT:

NOTES:

ORDERING INFORMATION:

**EXAMPLE** PUAC-D - 4F - 40 - 9 - 50 - MV - BC10 - ND  
 SERIES      NOM. LENGTH      LUMENS      CRI      KELVINS      VOLTAGE      OPTIONS      DRIVER

**SHOP DRAWINGS**



**ORDERING INFORMATION**

**SERIES**

PUAC-D

**KELVIN**

30    3000K  
 35    3500K  
 40    4000K  
 50    5000K  
 TW    Tunable White

**NOMINAL LENGTH**

2F\*    24"  
 4F    48"  
 8F    96"

**VOLTAGE**

MV    120-277V  
 347    347V

**LUMENS**

Lumen Package*	Nominal Lumens
24"	
20	2,000
35	3,500
48"	
40	4,000
60	6,000
96"	
80	8,000
120	12,000

**OPTIONS**

BC#    Black Cab Tire Wire #ft  
 CS#    Chain Suspension Kit #ft  
 CM    Center Mount Option  
 OX    External IP65 PIR (ON/OFF) Motion Detector  
 OY    Internal IP65 PIR Motion, Daylight Harvesting and Step Dimming Sensor

**DRIVER**

ND    Non-dimming applications  
 D    0-10V dimming  
 DA    DALI driver

**CRI**

BLANK    80 CRI  
 9    90 CRI

**FEATURES**

- > Robust luminaire built to withstand wet and harsh locations
- > Suitable for food processing and cold storage environments
- > Versatile fixture for indoor or outdoor, hot or cold, low mount or high mount applications
- > IP66 rated
- > Rated for -40 Celsius applications
- > Luminaire 100% assembled with NSF listed components (housings, lenses and brackets)
- > 0.5 inch vent to maximize longevity and eliminate possible condensation (freezer applications)
- > Durable construction and long-lasting electrical components

**APPLICATIONS**

- > Freezers
- > Food Processing Facilities
- > Manufacturing Plants
- > Parking garages
- > Cold Storage
- > Industrial applications
- > Pulp and Paper Mills
- > Swimming Pool Complexes
- > Warehouses

\*Other lumen packages available.

LED

FIXTURE PERFORMANCE DATA

SPECIFICATIONS

**Housing/Reflector** – Single Piece Co-Extruded Lens and Housing

**Shielding** – Polycarbonate

**Finish** – Black polycarbonate housing suitable for outdoor use with respect to exposure to ultraviolet light, water exposure and immersion.

**Electrical** – High quality mid-power LED boards. L85 >50,000 hours.

**Mounting** – Suspended or surface

**Listings** –

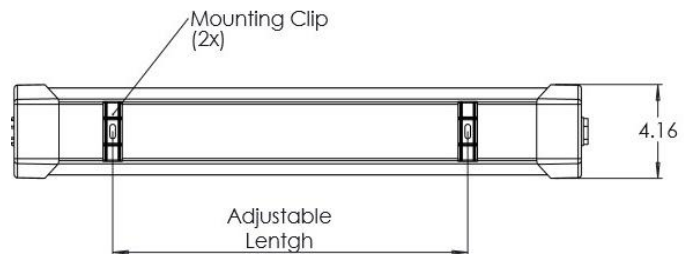
- cUL certified
- DLC certified (consult factory for listing)
- IP66 rated.
- NSF compliant.

**Warranty** – 5-year limited warranty

LED PACKAGE	DELIVERED LUMENS	WATTAGE	EFFICACY (lm/W)
2F			
20	2,046	19	108
35	3,564	36	99
4F			
40	4,206	39	108
60	6,204	60	103
8F			
80	8,114	74	110
120	11,922	114	105

MULTIPLIER TABLE	
COLOR TEMPERATURE	
CCT/CRI	CONVERSION FACTOR
3000K / 80 CRI	0.95
3500K / 80 CRI	0.97
4000K / 80 CRI	1
5000K / 80 CRI	1.03

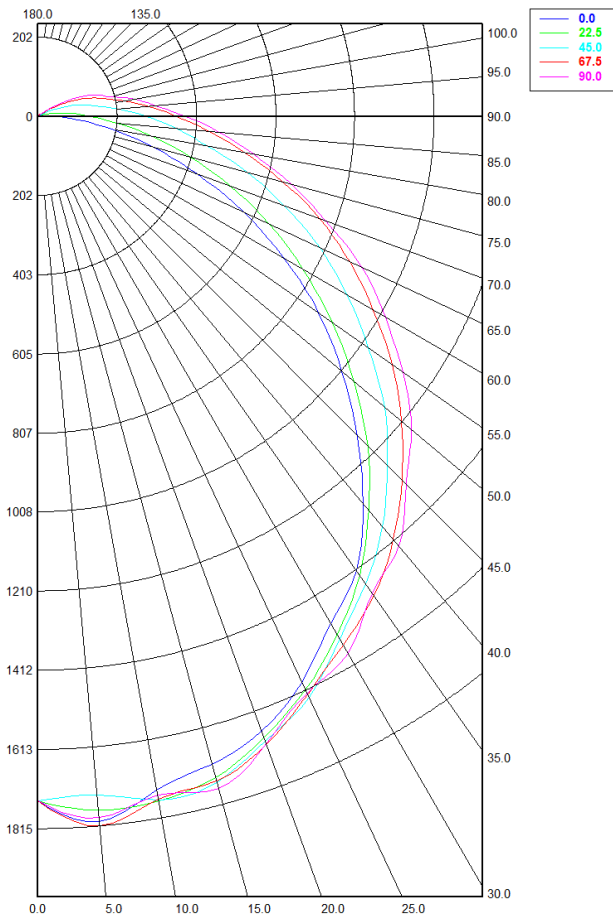
FIXTURE DETAILS



<

PHOTOMETRY

PUAC-D-4F-40-MV Total Luminaire Output: 6,204 lumens; 60 Watts



**Candela Distribution**

	0.00°	22.50°	45.00°	67.50°	90.00°
0.00°	1,744.08	1,744.08	1,744.08	1,744.08	1,744.08
5.00°	1,803.41	1,774.90	1,736.05	<b>1,814.95</b>	1,793.87
10.00°	1,742.50	1,770.90	1,768.19	1,766.89	1,755.79
15.00°	1,708.84	1,744.24	1,757.04	1,753.67	1,772.96
20.00°	1,666.07	1,683.83	1,693.06	1,701.86	1,699.96
25.00°	1,589.48	1,610.97	1,633.73	1,624.50	1,621.10
30.00°	1,493.26	1,525.47	1,538.33	1,555.98	1,580.01
35.00°	1,413.83	1,428.48	1,455.15	1,492.36	1,484.76
40.00°	1,288.72	1,310.79	1,365.76	1,408.33	1,430.48
45.00°	1,151.35	1,188.51	1,259.12	1,311.25	1,326.01
50.00°	1,010.92	1,050.55	1,152.25	1,208.75	1,242.34
55.00°	873.64	917.29	1,027.76	1,100.42	1,133.89
60.00°	720.59	777.89	911.08	986.68	1,021.60
65.00°	576.35	649.41	792.41	876.98	912.62
70.00°	431.19	521.80	666.61	764.36	781.59
75.00°	304.46	402.58	550.79	643.82	666.38
80.00°	191.16	296.08	438.48	536.15	555.75
85.00°	99.12	202.20	354.17	435.38	462.51
90.00°	31.85	134.85	275.45	352.59	374.80

**Zonal Lumen Summary**

Zone	Lumens	% Fixture
0.00° - 10.00°	179.46	2.89%
10.00° - 20.00°	490.52	7.91%
20.00° - 30.00°	744.33	12.00%
30.00° - 40.00°	908.56	14.64%
40.00° - 50.00°	962.23	15.51%
50.00° - 60.00°	903.19	14.56%
60.00° - 70.00°	755.67	12.18%
70.00° - 80.00°	551.38	8.89%
80.00° - 90.00°	350.87	5.66%
90.00° - 100.00°	202.04	3.26%
100.00° - 110.00°	107.44	1.73%
110.00° - 120.00°	43.29	0.70%
120.00° - 130.00°	5.49	0.09%
130.00° - 140.00°	0.00	0.00%
140.00° - 150.00°	0.00	0.00%
150.00° - 160.00°	0.00	0.00%
160.00° - 170.00°	0.00	0.00%
170.00° - 180.00°	0.00	0.00%
0.00° - 90.00°	5,846.21	94.23%
90.00° - 180.00°	358.27	5.77%
0.00° - 180.00°	6,204.48	100.00%

**Spacing Criterion:**

Two luminaires, plane 0°	1.26
Two luminaires, plane 90°	1.32
Four luminaires	1.43