

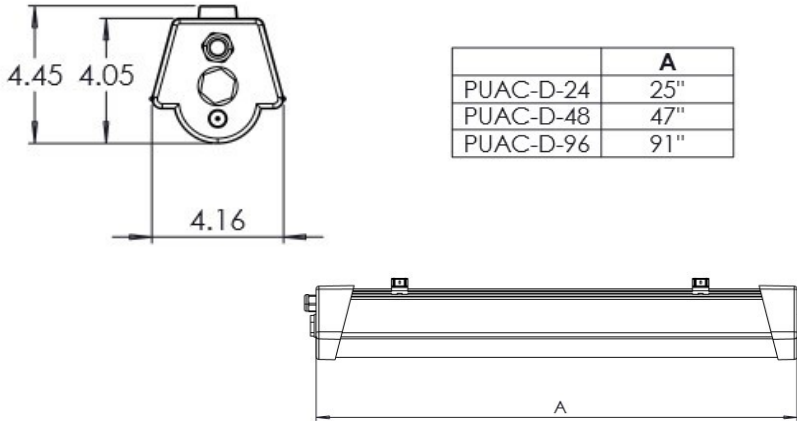
PROJECT:

NOTES:

ORDERING INFORMATION:

EXAMPLE PUAC-D - 4F - 40 - 9 - 50 - MV - BC10 - ND
SERIES NOM. LENGTH LUMENS CRI KELVINS VOLTAGE OPTIONS DRIVER

SHOP DRAWINGS



ORDERING INFORMATION

SERIES	
PUAC-D	

NOMINAL LENGTH	
2F*	24"
4F	48"
8F	96"

*minimum 10 pieces for 24"

KELVIN	
30	3000K
35	3500K
40	4000K
50	5000K
TW	Tunable White

VOLTAGE	
MV	120-277V
347	347V

LUMENS

Lumen Package*	Nominal Lumens
24"	
20	2,000
35	3,500
48"	
40	4,000
60	6,000
96"	
80	8,000
120	12,000

*Other lumen packages available.

OPTIONS	
BC#	Black Cab Tire Wire #ft
CS#	Chain Suspension Kit #ft
CM	Center Mount Option
OX	External IP65 PIR (ON/OFF) Motion Detector
OY	External IP65 PIR Motion, Daylight Harvesting and Step Dimming Sensor

DRIVER	
ND	Non-dimming applications
D	0-10V dimming
DA	DALI driver

CRI	
BLANK	80 CRI
9	90 CRI

FEATURES

- > Robust luminaire built to withstand wet and harsh locations
- > Suitable for food processing and cold storage environments
- > Versatile fixture for indoor or outdoor, hot or cold, low mount or high mount applications
- > IP66 rated
- > Rated for -40 Celsius applications
- > Luminaire 100% assembled with NSF listed components (housings, lenses and brackets)
- > 0.5 inch vent to maximize longevity and eliminate possible condensation (freezer applications)
- > Durable construction and long-lasting electrical components

APPLICATIONS

- > Freezers
- > Food Processing Facilities
- > Manufacturing Plants
- > Parking garages
- > Cold Storage
- > Industrial applications
- > Pulp and Paper Mills
- > Swimming Pool Complexes
- > Warehouses

LED

FIXTURE PERFORMANCE DATA

SPECIFICATIONS

Housing/Reflector – Single Piece Co-Extruded Lens and Housing

Shielding – Polycarbonate

Finish – Black polycarbonate housing suitable for outdoor use with respect to exposure to ultraviolet light, water exposure and immersion.

Electrical – High quality mid-power LED boards. L85 >50,000 hours.

Mounting – Suspended or surface

Listings –

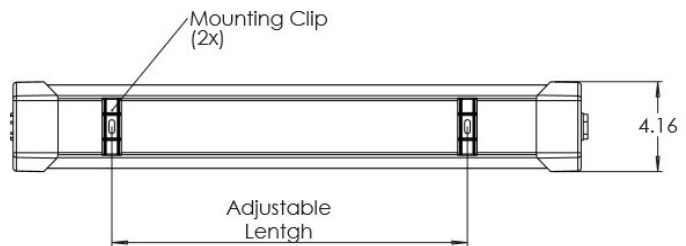
- cUL certified
- DLC certified (consult factory for listing)
- IP66 rated.
- NSF compliant.

Warranty – 5-year limited warranty

LED PACKAGE	DELIVERED LUMENS	WATTAGE	EFFICACY (lm/W)
2F			
20	2,046	19	108
35	3,564	36	99
4F			
40	4,206	39	108
60	6,204	60	103
8F			
80	8,114	74	110
120	11,922	114	105

MULTIPLIER TABLE	
COLOR TEMPERATURE	
CCT/CRI	CONVERSION FACTOR
3000K / 80 CRI	0.95
3500K / 80 CRI	0.97
4000K / 80 CRI	1
5000K / 80 CRI	1.03

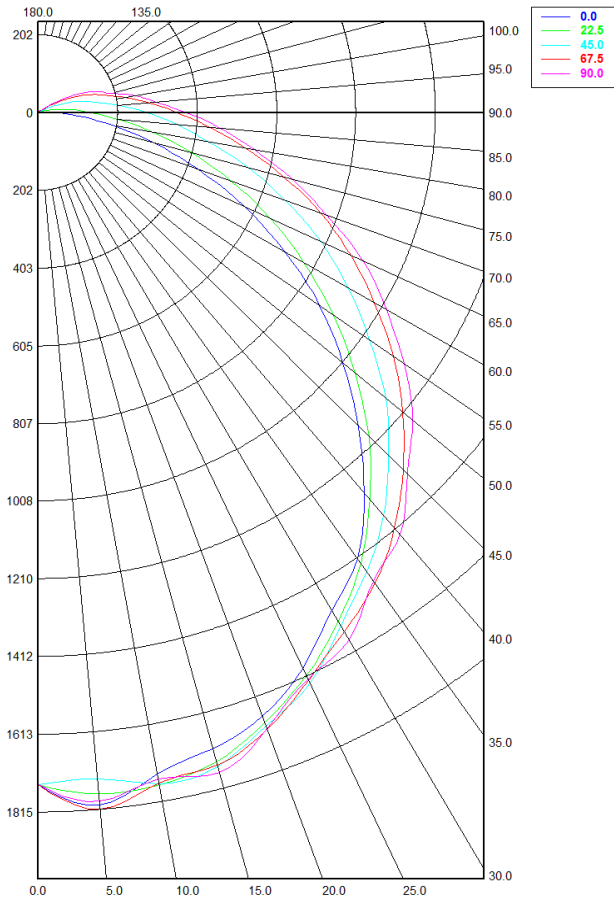
FIXTURE DETAILS



<

PHOTOMETRY

PUAC-D-4F-40-MV Total Luminaire Output: 6,204 lumens; 60 Watts



Candela Distribution

	0.00°	22.50°	45.00°	67.50°	90.00°
0.00°	1,744.08	1,744.08	1,744.08	1,744.08	1,744.08
5.00°	1,803.41	1,774.90	1,736.05	1,814.95	1,793.87
10.00°	1,742.50	1,770.90	1,768.19	1,766.89	1,755.79
15.00°	1,708.84	1,744.24	1,757.04	1,753.67	1,772.96
20.00°	1,666.07	1,683.83	1,693.06	1,701.86	1,699.96
25.00°	1,589.48	1,610.97	1,633.73	1,624.50	1,621.10
30.00°	1,493.26	1,525.47	1,538.33	1,555.98	1,580.01
35.00°	1,413.83	1,428.48	1,455.15	1,492.36	1,484.76
40.00°	1,288.72	1,310.79	1,365.76	1,408.33	1,430.48
45.00°	1,151.35	1,188.51	1,259.12	1,311.25	1,326.01
50.00°	1,010.92	1,050.55	1,152.25	1,208.75	1,242.34
55.00°	873.64	917.29	1,027.76	1,100.42	1,133.89
60.00°	720.59	777.89	911.08	986.68	1,021.60
65.00°	576.35	649.41	792.41	876.98	912.62
70.00°	431.19	521.80	666.61	764.36	781.59
75.00°	304.46	402.58	550.79	643.82	666.38
80.00°	191.16	296.08	438.48	536.15	555.75
85.00°	99.12	202.20	354.17	435.38	462.51
90.00°	31.85	134.85	275.45	352.59	374.80

Zonal Lumen Summary

Zone	Lumens	% Fixture
0.00° - 10.00°	179.46	2.89%
10.00° - 20.00°	490.52	7.91%
20.00° - 30.00°	744.33	12.00%
30.00° - 40.00°	908.56	14.64%
40.00° - 50.00°	962.23	15.51%
50.00° - 60.00°	903.19	14.56%
60.00° - 70.00°	755.67	12.18%
70.00° - 80.00°	551.38	8.89%
80.00° - 90.00°	350.87	5.66%
90.00° - 100.00°	202.04	3.26%
100.00° - 110.00°	107.44	1.73%
110.00° - 120.00°	43.29	0.70%
120.00° - 130.00°	5.49	0.09%
130.00° - 140.00°	0.00	0.00%
140.00° - 150.00°	0.00	0.00%
150.00° - 160.00°	0.00	0.00%
160.00° - 170.00°	0.00	0.00%
170.00° - 180.00°	0.00	0.00%
0.00° - 90.00°	5,846.21	94.23%
90.00° - 180.00°	358.27	5.77%
0.00° - 180.00°	6,204.48	100.00%

Spacing Criterion:

Two luminaires, plane 0°	1.26
Two luminaires, plane 90°	1.32
Four luminaires	1.43