

PROJECT:

NOTES:

ORDERING INFORMATION:

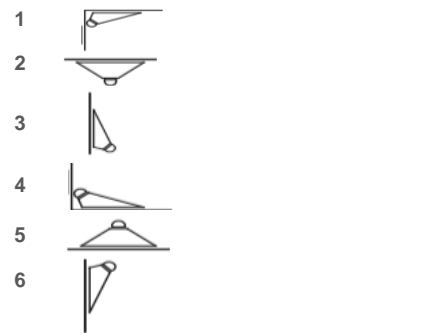
EXAMPLE ALM - 5 - 36 - L - 60 - 40 - 11 - AS - MV - BL - WL
 SERIES DIRECTION NOMINAL LENGTH SOURCE LUMENS KELVINS MOUNTING LENS VOLTAGE FINISH OPTIONS

ORDERING INFORMATION

SERIES

ALM

DIRECTION



NOMINAL LENGTH

24	24"
36	36"

SOURCE

L LED

LUMENS

Lumen Package	Nom. Lumens	Wattage
24"		
40	4,000	29
60	6,000	45
36"		
60	6,000	43
120	12,000	88

Other lumen packages available.

KELVIN

30	3000K
35	3500K
40	4000K
50	5000K
TW	Tunable White

MOUNTING

1	Yoke Bracket Wall Mounting*
2	Hinged Plate Wall Mount
4	Cantilever Mounting
11	Wall Bracket Mounting
12	Arm Mounting

*Can only be installed with 24" fixture

LENS

A1	Acrylic K12
L1	Frosted
H1	White Opal
M1	Clear Polycarbonate

VOLTAGE

MV	120-277V (0-10V dimming)
347	347V (0-10V dimming)

FINISH

BL	Black (standard)
WH	White
BR	Bronze
SI	Silver
RAL	Specify RAL Colour no.*

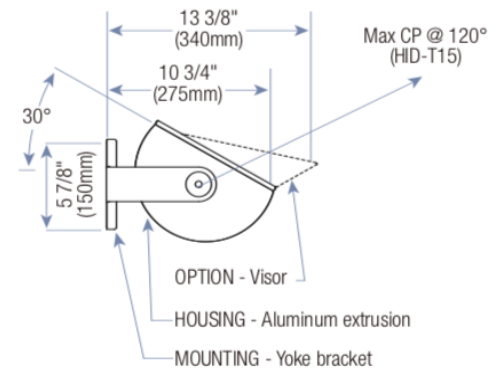
*For large quantities only

OPTIONS

WL	Wet Location
PE	Pool Environment
VS	Visor



SHOP DRAWING



FIXTURE PERFORMANCE DATA

SPECIFICATIONS

Housing Construction

- Extruded aluminum, die cast end plates with rotation stops
- Damp location listed

Reflector

- High reflective white reflector for optimum performance

Lensing

- Multiple lenses available for smooth and uniform illuminations

Finish

- Baked white enamel powder finish applied post production on all surfaces for smooth edges and safe handling

Electrical

- High quality mid-power LED boards. L70 >50,000 hours.

Mounting

- See next page

Listings

- cUL certified as luminaire suitable for dry or damp locations.

Warranty – 5-year limited warranty

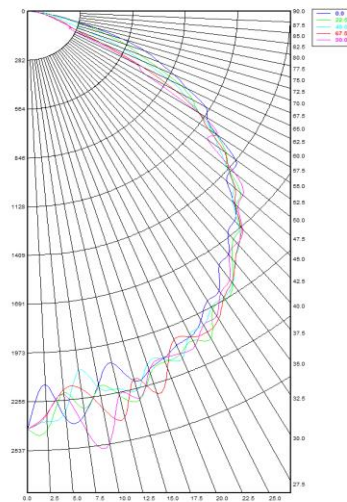
LED PACKAGE	DELIVERED LUMENS	WATTAGE	EFFICACY (lm/W)
24"			
10	1,083	11	98
30	3,246	28	116
36"			
30	3,122	25	125
40	4,161	34	122

*Results based on 4000K, 80 CRI, acrylic smooth lens

MULTIPLIER TABLE	
COLOR TEMPERATURE	
CCT/CRI	CONVERSION FACTOR
3000K / 80 CRI	0.95
3500K / 80 CRI	0.97
4000K / 80 CRI	1
5000K / 80 CRI	1.03

PHOTOMETRY

ALM-24-LED-5-60-40-MVOLT Total Luminaire Output: 6,226 lumens; 45 Watts



Zonal Lumen Summary

Zone	Lumens	% Fixture
0.00° - 10.00°	220.22	3.54%
10.00° - 20.00°	631.97	10.15%
20.00° - 30.00°	964.31	15.49%
30.00° - 40.00°	1,178.81	18.93%
40.00° - 50.00°	1,225.22	19.68%
50.00° - 60.00°	1,075.91	17.28%
60.00° - 70.00°	639.80	10.27%
70.00° - 80.00°	240.78	3.87%
80.00° - 90.00°	49.06	0.79%
90.00° - 100.00°	0.45	0.01%
100.00° - 110.00°	0.09	0.00%
110.00° - 120.00°	0.08	0.00%
120.00° - 130.00°	0.05	0.00%
130.00° - 140.00°	0.07	0.00%
140.00° - 150.00°	0.03	0.00%
150.00° - 160.00°	0.03	0.00%
160.00° - 170.00°	0.02	0.00%
170.00° - 180.00°	0.01	0.00%
0.00° - 90.00°	6,226.09	99.99%
90.00° - 180.00°	0.83	0.01%
0.00° - 180.00°	6,226.91	100.00%

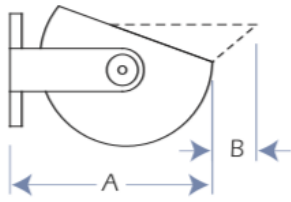
Spacing Criterion:

Two luminaires, plane 0°	1.2
Two luminaires, plane 90°	1.23
Four luminaires	1.35



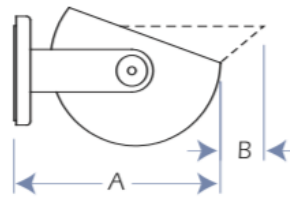
MOUNTING OPTIONS

1. Yoke Bracket Wall Mounting



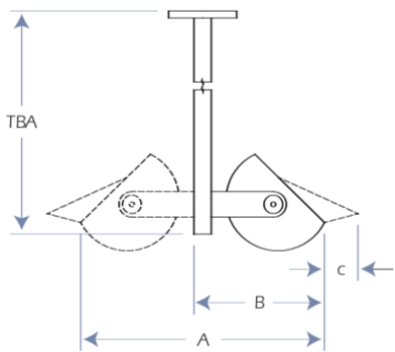
MODEL	A	B
ALM	10.5"	2.5"

2. Hinge Plate Wall Mounting



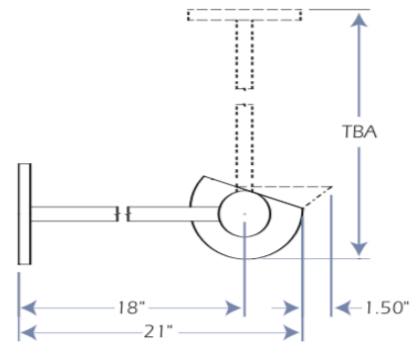
MODEL	A	B
ALM	11"	2.5"

4. Cantilever Mounting



MODEL	A	B	C
ALM	20.5"	11.5"	2.5"

12. Arm Mounting



11. Wall Bracket Mounting

