

PROJECT:

NOTES:

ORDERING INFORMATION:

EXAMPLE

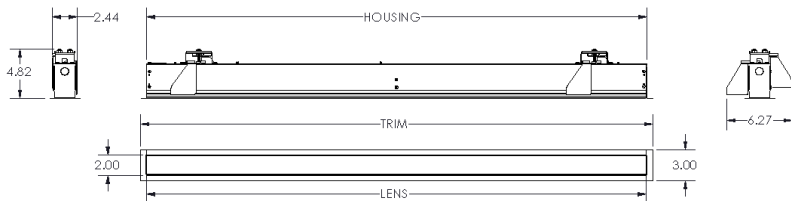
VR2 - 8F - 50 - 9 - 35 - 347 - W - EM - TR - DA

SERIES NOM. LENGTH LUMENS CRI KELVINS VOLTAGE FINISH OPTIONS MOUNTING DRIVERS

SHOP DRAWINGS

VR2-xx	LENGTH (in)			WEIGHT (lbs)
	HOUSING	TRIM	CUT-OUT	
2F	24.1	25.1	24.25	7.0
3F	36.1	37.1	36.25	10.0
4F	48.1	49.1	48.25	12.5
5F	60.1	61.1	60.25	14.5
6F	72.1	73.1	72.25	17.5
7F	84.1	85.1	84.25	20.0
8F	96.1	97.1	96.25	22.5

CUT-OUT WIDTH = 2.50 in



*** REINFORCED CEILING CUTOUT RECOMMENDED ***
CLIENT IS RESPONSIBLE FOR ENSURING THE ADEQUATE SUPPORT OF THE LUMINAIRE



ORDERING INFORMATION

SERIES
VR2

FINISH
W Matte White
B Matte Textured Black
C Custom Finish (Specify RAL Color)

NOMINAL LENGTH
(X)F Nominal Length in feet

OPTIONS
CP1 Occupancy/Daylight Sensor (Phillips SNS200)
CLE5 Occupancy Sensor (Leviton OSF10)
CW3 Passive Infrared Sensor (WattStopper FSP-211)
FP Impact resistant polycarbonate lens
EM Emergency Power Pack*
 *Available with section of 4ft and over for direct only version

LUMENS*
30 300 Lumens Per Foot
50 500 Lumens Per Foot
75 750 Lumens Per Foot
100 1000 Lumens Per Foot
 *Other lumen packages available

MOUNTING
TR Trim
MF Mud Flange

CRI
BLANK 80 CRI
9 90 CRI

DRIVERS
BLANK Non-dimming driver
D 0-10V dimming
D1 0-10V dimming to 1%
DA DALI driver

KELVIN
27 2700K
30 3000K
35 3500K
40 4000K
50 5000K
TW Tunable White

VOLTAGE
MV 120-277V (Standard)
347 347V

FEATURES

- > 18 gauges C.R.S. 2 inch-wide linear fixture with unique fabrication concept made for continuous runs with simple and user-friendly joining systems
- > Snap-in white frosted acrylic lens
- > Matte powder coated finish applied post-production to ensure smooth edges and modern look
- > Wide selection of LED packages
- > Minimum 80 CRI; color range 2700K - 5000K available
- > Tunable White option available
- > Trim or trimless option
- > Multiple dimming protocols available

APPLICATIONS

- > Schools
- > Corridors
- > Offices
- > Commercial Applications
- > Atriums
- > Restaurants
- > Libraries

LED

FIXTURE PERFORMANCE DATA

SPECIFICATIONS

Housing – Precision die-formed 18-gauge C.R.S.

Diffuser – High efficiency white frosted acrylic snap-in lens

Finish – Baked enamel powder finish applied post production on all surfaces for smooth edges and safe handling

Electrical – High quality mid-power LED boards. L70 >72,000 hours reported / 129,200 hours calculated at maximum allowable output current. L85 >50,000 hours.

Mounting – Recessed for plaster ceiling

Listings –
 ■ cUL certified as luminaire suitable for dry or damp locations.

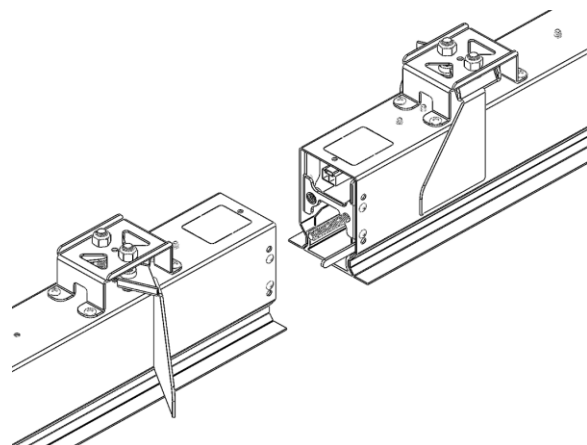
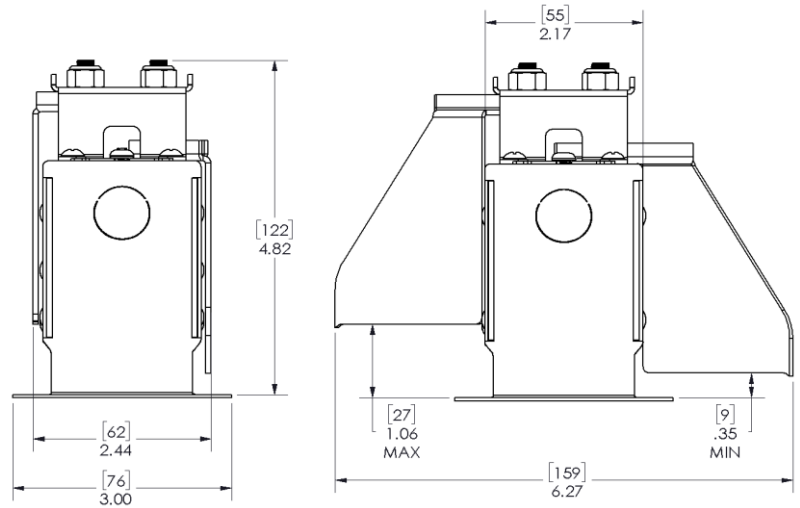
Warranty – 5-year limited warranty

LED PACKAGE	DELIVERED LUMENS	WATTAGE	EFFICACY (lm/W)
Direct (4ft)			
1200	1,221	11	111
2000	2,022	18	112
3000	3,066	29	106
4000	4,059	40	101

*Results based on smooth white frosted lens, 80 CRI, 4000K

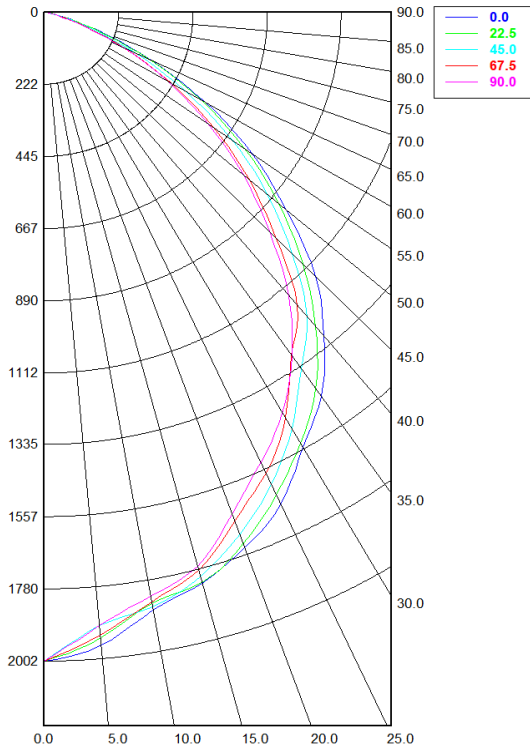
MULTIPLIER TABLE	
COLOR TEMPERATURE	
CCT/CRI	CONVERSION FACTOR
2700K / 80 CRI	0.93
3000K / 80 CRI	0.95
3500K / 80 CRI	0.97
4000K / 80 CRI	1
5000K / 80 CRI	1.03

Fixture Details



PHOTOMETRY

VR2-4F-100-40-MV



Candela Distribution

	0.00°	22.50°	45.00°	67.50°	90.00°
0.00°	2,002.27	2,002.27	2,002.27	2,002.27	2,002.27
5.00°	1,961.18	1,938.09	1,900.53	1,928.98	1,900.97
10.00°	1,874.10	1,853.59	1,863.01	1,847.55	1,830.61
15.00°	1,825.04	1,822.63	1,803.25	1,782.56	1,770.76
20.00°	1,756.66	1,744.13	1,712.96	1,668.90	1,645.76
25.00°	1,677.69	1,645.05	1,608.46	1,570.13	1,532.95
30.00°	1,551.80	1,537.35	1,486.02	1,447.82	1,429.58
35.00°	1,448.74	1,419.85	1,344.31	1,293.94	1,294.74
40.00°	1,305.10	1,265.78	1,225.87	1,180.44	1,142.07
45.00°	1,150.68	1,096.89	1,051.97	980.49	953.81
50.00°	947.13	918.91	870.96	796.55	773.75
55.00°	758.91	728.98	682.64	617.46	598.23
60.00°	553.46	543.69	488.73	436.66	422.50
65.00°	353.02	346.80	300.12	267.85	264.27
70.00°	186.43	178.64	154.58	128.70	120.25
75.00°	60.87	58.00	46.13	35.85	34.77
80.00°	8.63	9.06	7.51	6.09	6.56
85.00°	0.67	0.86	1.51	2.02	2.00
90.00°	0.47	0.44	0.44	0.49	0.26

Spacing Criterion:

Two luminaires, plane 0°	1.15
Two luminaires, plane 90°	1.07
Four luminaires	1.24

Zonal Lumen Summary

Zone	Lumens	% Fixture
0.00° - 10.00°	192.16	4.73%
10.00° - 20.00°	503.82	12.41%
20.00° - 30.00°	736.56	18.15%
30.00° - 40.00°	846.64	20.86%
40.00° - 50.00°	801.72	19.75%
50.00° - 60.00°	600.98	14.81%
60.00° - 70.00°	307.68	7.58%
70.00° - 80.00°	66.51	1.64%
80.00° - 90.00°	2.94	0.07%
90.00° - 100.00°	0.12	0.00%
100.00° - 110.00°	0.00	0.00%
110.00° - 120.00°	0.00	0.00%
120.00° - 130.00°	0.00	0.00%
130.00° - 140.00°	0.00	0.00%
140.00° - 150.00°	0.00	0.00%
150.00° - 160.00°	0.00	0.00%
160.00° - 170.00°	0.00	0.00%
170.00° - 180.00°	0.00	0.00%
0.00° - 90.00°	4,059.02	100.00%
90.00° - 180.00°	0.12	0.00%
0.00° - 180.00°	4,059.02	100.00%

STANDARD CONFIGURATIONS

Total Length (Feet)	VEKTOR 2 : Standard Row Mount Sections					
	Legend					
2	2F					
3	3F					
4	4F					
5	5F					
6	6F					
7	7F					
8	8F					
9	4S	5E				
10	6S	4E				
11	6S	5E				
12	6S	6E				
13	6S	7E				
14	6S	8E				
15	8S	7E				
16	8S	8E				
17	6S	5M	6E			
18	6S	6M	6E			
19	6S	7M	6E			
20	6S	8M	6E			
21	8S	5M	8E			
22	8S	6M	8E			
23	8S	7M	8E			
24	8S	8M	8E			
25	6S	5M	8M	6E		
26	6S	6M	8M	6E		
27	6S	7M	8M	6E		
28	6S	8M	8M	6E		
29	8S	6M	7M	8E		
30	8S	6M	8M	8E		
31	8S	7M	8M	8E		
32	8S	8M	8M	8E		
33	8S	6M	5M	6M	8E	
34	8S	6M	6M	6M	8E	
35	7S	7M	7M	7M	7E	
36	6S	8M	8M	8M	6E	
37	8S	7M	7M	7M	8S	
38	8S	8M	6M	8M	8E	
39	8S	8M	7M	8M	8E	
40	8S	8M	8M	8M	8E	
41	8S	7M	6M	6M	6M	8E
42	8S	8M	6M	6M	6M	8E
43	6S	8M	7M	8M	8M	6E
44	6S	8M	8M	8M	8M	6E
45	6S	8M	8M	8M	8M	7E
46	6S	8M	8M	8M	8M	8E
47	8S	8M	8M	8M	8M	7E
48	8S	8M	8M	8M	8M	8E