

! IMPORTANT

Read instructions carefully before installing. Keep these instructions for future reference.

Fixture must be wired in accordance with the National Electrical Code and all applicable local code. Proper grounding is required for safety. This product must be installed in accordance with the applicable installation code by a qualified electrician who is familiar with the construction and operation of the product and the hazard involved.

- All wiring connections should be capped with UL or CSA approved wire connectors.
- Min 90o C supply conductor.

! IMPORTANT SAFETY INFORMATION

Caution: Installation and servicing of this luminaire should be performed by qualified personnel only.

Caution: This fixture is designed for permanent installation in ordinary (Non-Hazardous) locations in accordance with the National Electrical Code. Do not use in areas of limited ventilation or in high ambient enclosures. The lamp and fixture operate at high temperature. Contact with combustible material can cause fire and personal contact can cause severe burns.

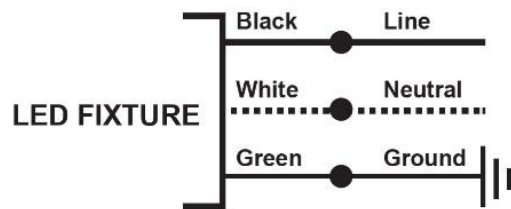
! CLEANING AND MAINTENANCE

Caution: Do not clean or maintain while the luminaire is energized. Check that the luminaire temperature is cool enough to touch. Periodically check and remove any accumulated dirt or debris around luminaire. DO NOT TOUCH LED's.

GENERAL WIRING DIAGRAM

All units must be individually connected to the AC Supply

All units must be connected to ac power supply: Select appropriate access point for your installation, remove knockout, and feed power lead through hole. Connect the supply wire from the source to the driver.



INFOS



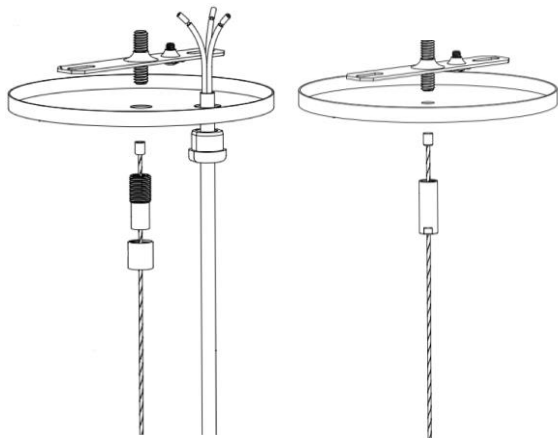
WARNING

Risk of fire and electrical shock. Fixture must be installed by a qualified electrician only in accordance with national, local building and electrical codes. Disconnect power at electrical panel before servicing



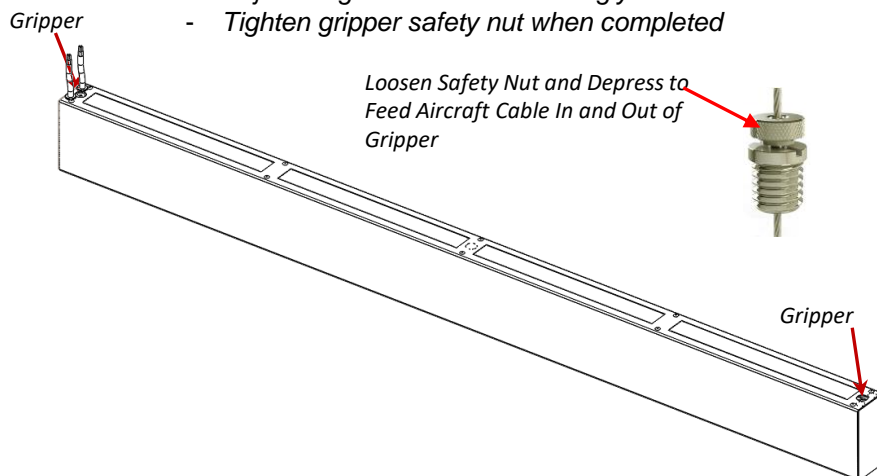
1 Electrical Connection:

- Make electrical connections
- Assemble canopies and aircraft cables



2 Mounting:

- Insert aircraft cables in both grippers
- Adjust height and level accordingly
- Tighten gripper safety nut when completed

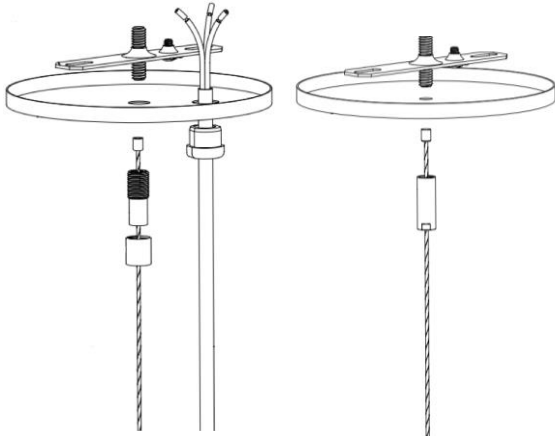


! WARNING

Risk of fire and electrical shock. Fixture must be installed by a qualified electrician only in accordance with national, local building and electrical codes. Disconnect power at electrical panel before servicing

1 Start - Electrical Connection:

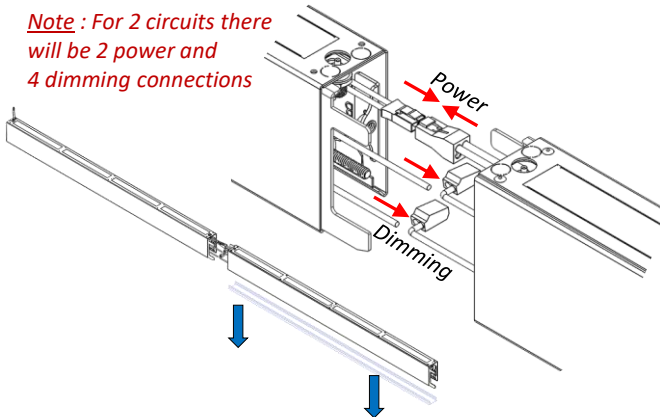
- Make appropriate electrical connections
- Assemble canopies per manufacturers instructions



3 Middle/End - Electrical Interconnection:

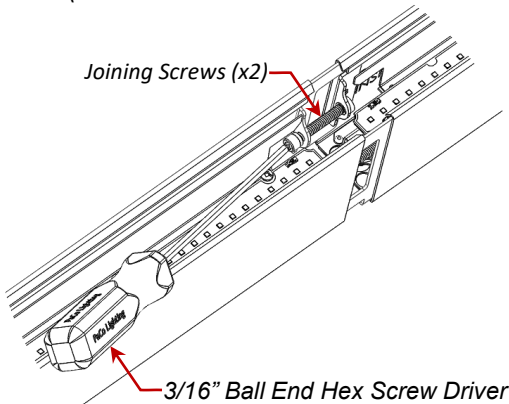
- Remove snap-in lens from direct side
- Make electrical interconnections with previous Vektor

Note : For 2 circuits there will be 2 power and 4 dimming connections



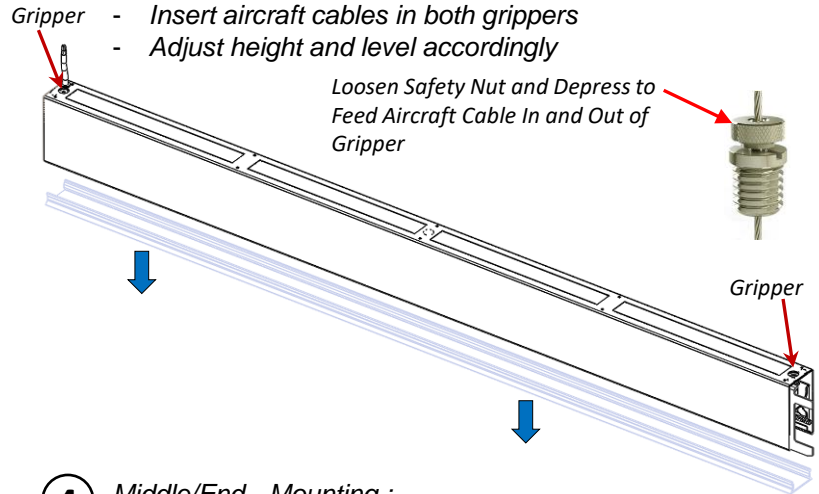
5 Middle/End - Joining:

- Secure both fixtures by tightening joining screws (x2)
(Use 3/16" Ball End Hex Screw Driver)



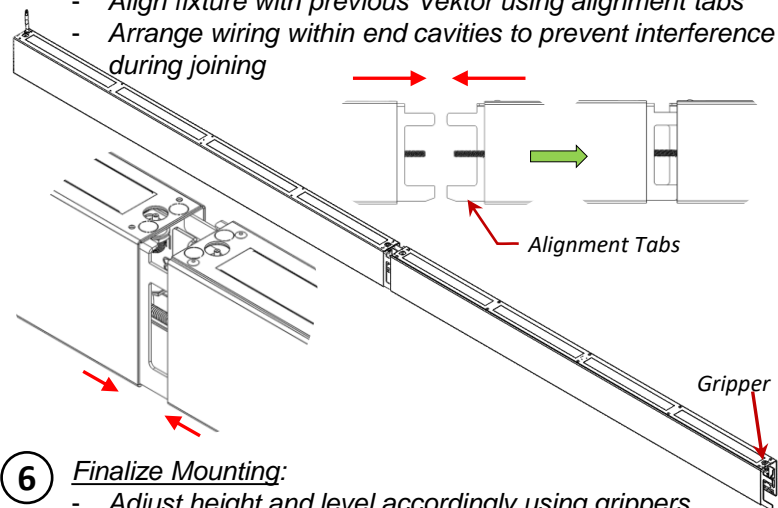
2 Start - Mounting:

- Remove snap-in lens from direct side
- Insert aircraft cables in both grippers
- Adjust height and level accordingly



4 Middle/End - Mounting :

- Insert aircraft cable in gripper and adjust height
- Align fixture with previous Vektor using alignment tabs
- Arrange wiring within end cavities to prevent interference during joining



6 Finalize Mounting:

- Adjust height and level accordingly using grippers
- Repeat steps 3 to 5 for remaining Vektors in the run
- Install snap-in lenses in their corresponding luminaires
- Tighten all gripper safety nuts

