

PROJECT:

NOTES:

ORDERING INFORMATION:

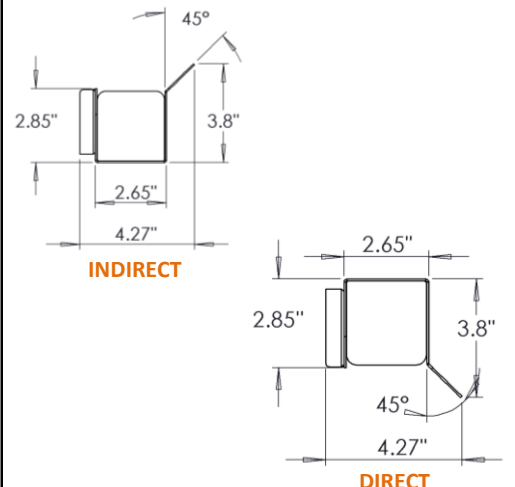
EXAMPLE

RAPP-W-ASY45 - 8F - 30 - 9 - 35 - IN - B - 347 - SF - CLE1 - DM

SERIES NOM. LENGTH LUMENS CRI KELVINS DIRECTION FINISH VOLTAGE OPTIONS CONTROLS DRIVER



SHOP DRAWINGS



ORDERING INFORMATION

SERIES
RAPP-W-ASY45

NOMINAL LENGTH

| | |
|----|-----|
| 2F | 24" |
| 4F | 48" |
| 6F | 72" |
| 8F | 91" |

LUMENS*

| | |
|-----|----------------------|
| 30 | 300 Lumens Per Foot |
| 50 | 500 Lumens Per Foot |
| 75 | 750 Lumens Per Foot |
| 100 | 1000 Lumens Per Foot |

*Other lumen packages available

CRI

| | |
|-------|--------|
| BLANK | 80 CRI |
| 9 | 90 CRI |

KELVIN

| | |
|----|---------------|
| 27 | 2700K |
| 30 | 3000K |
| 35 | 3500K |
| 40 | 4000K |
| 50 | 5000K |
| TW | Tunable White |

DIRECTION

| | |
|-------|----------|
| BLANK | Direct |
| IN | Indirect |

FINISH

| | |
|----|---------------------------------------|
| B | Matte Textured Black |
| W | Matte Textured White |
| G | Matte Textured Grey* |
| WS | Matte Smooth White* |
| C | Custom Finish (Specify RAL Color)* |
| P# | JG Plating Color Number (see page 3)* |

*Setup charge might be applicable for low quantities

VOLTAGE

| | |
|-------|----------|
| BLANK | 120-277V |
| 347 | 347V |

OPTIONS

| | |
|----|-----------------------------------|
| EM | Emergency Power Pack* |
| SF | Cabtyre coming out from endcaps** |

*Available only in 120V
**Confirm which side (left or right) the color and size of the cabtyre

CONTROLS*

BLANK None

Click on the following link for control options:
<https://bit.ly/2C5lXqa>

*Confirm compatible models with factory

DRIVER

| | |
|-------|--------------------------|
| BLANK | Non-dimming applications |
| DM | 0-10V dimming |
| DA | DALI driver |

Click on the following link for special driver options:
<https://bit.ly/2Fqz6qU>

FEATURES

- > Architectural specification grade linear luminaire with rounded corners and asymmetric distribution
- > Matte powder coated finish applied post-production to ensure smooth edges and modern look
- > Wide selection of LED packages
- > Minimum 80 CRI; color range 2700K - 5000K available
- > Tunable White option available
- > Multiple dimming protocols available
- > 100% made in Canada

APPLICATIONS

- > Restaurants
- > Schools
- > Commercial
- > Retail
- > Libraries
- > Offices

LED

FIXTURE PERFORMANCE DATA

SPECIFICATIONS

Outer envelope – 0.06" thick aluminium envelope.

Internal Luminaire Housing – Precision die-formed 20-gauge C.R.S and 18-gauge end caps.

Shielding – White opal snap-in lens

Finish – Baked textured matte enamel powder finish applied post production on all surfaces for smooth edges and safe handling.

Electrical – High quality mid-power LED boards. L70 >72,000 hours reported / 129,200 hours calculated at maximum allowable output current. L85 >50,000 hours.

Mounting – Wall mount

Listings –

■ cUL certified as luminaire suitable for dry or damp locations.

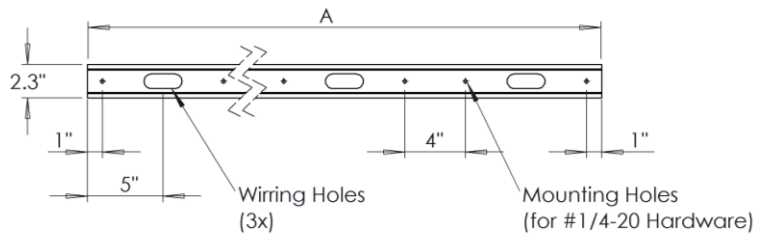
Warranty – 5-year limited warranty

| LED PACKAGE | DELIVERED LUMENS | WATTAGE | EFFICACY (lm/W) |
|-----------------------|------------------|---------|-----------------|
| RAPP-W-ASY45-4F-White | | | |
| 300 lm per ft | | | |
| 500 lm per ft | | | |
| 750 lm per ft | | | |
| 1000 lm per ft | | | |
| RAPP-W-ASY45-4F-Black | | | |
| 300 lm per ft | 1,360 | 12 | 113 |
| 500 lm per ft | 1,945 | 19 | 102 |
| 750 lm per ft | 3,082 | 33 | 93 |
| 1000 lm per ft | 3,942 | 44 | 90 |

*Based on 4000K and 80 CRI

| MULTIPLIER TABLE | |
|-------------------|-------------------|
| COLOR TEMPERATURE | |
| CCT/CRI | CONVERSION FACTOR |
| 3000K / 80 CRI | 0.95 |
| 3500K / 80 CRI | 0.97 |
| 4000K / 80 CRI | 1 |
| 5000K / 80 CRI | 1.03 |

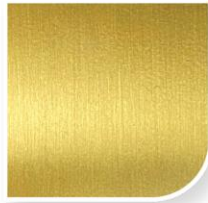
FIXTURE DETAILS



| RAPP-W | A |
|--------|-----|
| 2' | 17" |
| 4' | 34" |
| 6' | 51" |
| 8' | 64" |

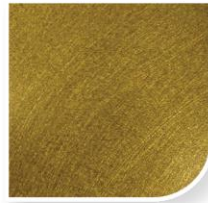
RAPP - Plating Color Number

P1



Satin
Brass

P2



Old Corsica
Brass

P3



Dull
Champagne

P4



Vintage
Copper

P5



Copper
Penny

P6



Dull
Argento

P7



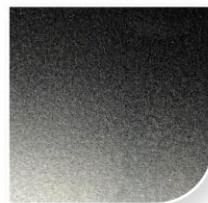
Satin
Nickel

P8



HP Clear
Zinc

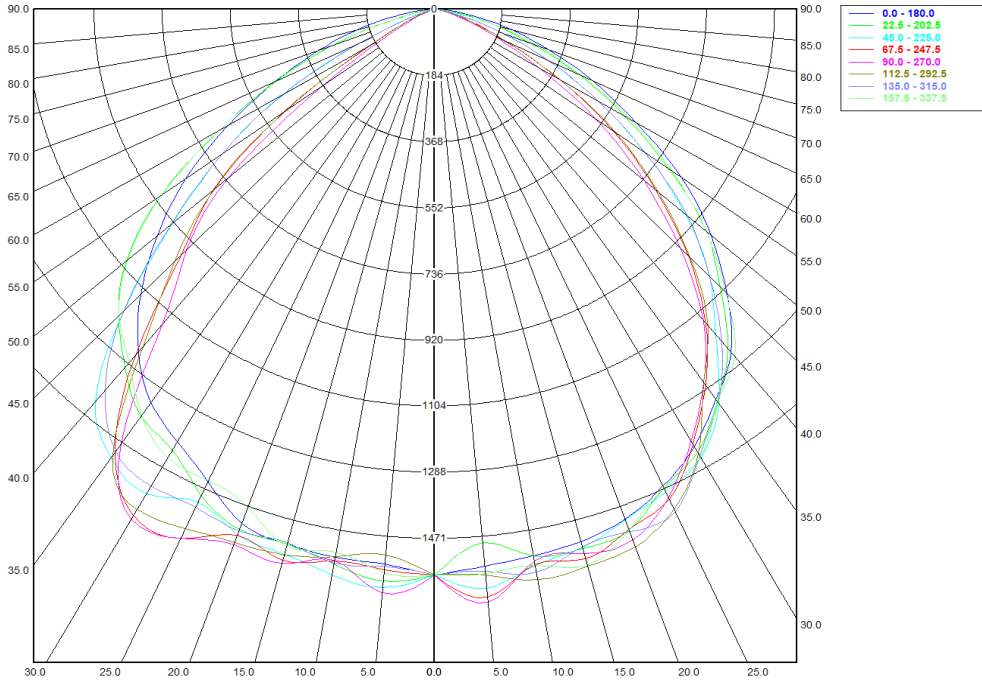
P9



Satin Smoke
Chrome

PHOTOMETRY

RAPP-W-ASY45-4F-100-40-W



Zonal Lumen Summary

| Zone | Lumens | % Fixture |
|-------------------|---------|-----------|
| 0.00° - 10.00° | 159.36 | 3.98% |
| 10.00° - 20.00° | 441.12 | 11.01% |
| 20.00° - 30.00° | 697.47 | 17.40% |
| 30.00° - 40.00° | 854.63 | 21.33% |
| 40.00° - 50.00° | 821.23 | 20.49% |
| 50.00° - 60.00° | 604.54 | 15.09% |
| 60.00° - 70.00° | 307.34 | 7.67% |
| 70.00° - 80.00° | 104.23 | 2.60% |
| 80.00° - 90.00° | 16.69 | 0.42% |
| 90.00° - 100.00° | 0.78 | 0.02% |
| 100.00° - 110.00° | 0.07 | 0.00% |
| 110.00° - 120.00° | 0.02 | 0.00% |
| 120.00° - 130.00° | 0.01 | 0.00% |
| 130.00° - 140.00° | 0.01 | 0.00% |
| 140.00° - 150.00° | 0.01 | 0.00% |
| 150.00° - 160.00° | 0.01 | 0.00% |
| 160.00° - 170.00° | 0.00 | 0.00% |
| 170.00° - 180.00° | 0.00 | 0.00% |
| 0.00° - 90.00° | 4006.61 | 99.98% |
| 90.00° - 180.00° | 0.91 | 0.02% |
| 0.00° - 180.00° | 4007.52 | 100.00% |

Spacing Criterion:

| | |
|---------------------------|------|
| Two luminaires, plane 0° | 1.31 |
| Two luminaires, plane 90° | 1.29 |
| Four luminaires | 1.41 |

Candela Distribution

| | 0.00° | 22.50° | 45.00° | 67.50° | 90.00° | 112.50° | 135.00° | 157.50° | 180.00° | 202.50° | 225.00° | 247.50° | 270.00° | 292.50° | 315.00° | 337.50° | 360.00° |
|--------|---------|---------|---------|---------|---------|---------|---------|---------|---------|---------|---------|---------|---------|---------|---------|---------|---------|
| 0.00° | 1573.07 | 1573.07 | 1573.07 | 1573.07 | 1573.07 | 1573.07 | 1573.07 | 1573.07 | 1573.07 | 1573.07 | 1573.07 | 1573.07 | 1573.07 | 1573.07 | 1573.07 | 1573.07 | 1573.07 |
| 5.00° | 1555.06 | 1489.51 | 1615.73 | 1641.02 | 1655.36 | 1579.52 | 1569.30 | 1575.76 | 1549.55 | 1596.16 | 1614.64 | 1565.08 | 1629.68 | 1523.73 | 1555.76 | 1572.39 | 1555.06 |
| 10.00° | 1544.07 | 1543.29 | 1571.14 | 1567.93 | 1558.76 | 1611.32 | 1590.27 | 1571.55 | 1547.92 | 1567.09 | 1597.87 | 1558.26 | 1557.16 | 1545.95 | 1564.25 | 1532.84 | 1544.07 |
| 15.00° | 1533.12 | 1553.44 | 1550.25 | 1583.10 | 1567.57 | 1604.00 | 1548.18 | 1601.16 | 1540.98 | 1540.32 | 1569.17 | 1586.07 | 1596.11 | 1570.86 | 1536.51 | 1545.93 | 1533.12 |
| 20.00° | 1509.90 | 1541.69 | 1511.26 | 1539.42 | 1571.03 | 1590.74 | 1546.71 | 1541.90 | 1522.62 | 1540.02 | 1555.94 | 1557.77 | 1584.85 | 1579.29 | 1543.57 | 1473.37 | 1509.90 |
| 25.00° | 1463.82 | 1469.34 | 1482.09 | 1503.68 | 1498.27 | 1535.01 | 1542.68 | 1470.86 | 1448.48 | 1491.47 | 1512.54 | 1623.88 | 1624.15 | 1593.21 | 1528.63 | 1447.35 | 1463.82 |
| 30.00° | 1405.75 | 1423.71 | 1440.72 | 1397.21 | 1388.62 | 1427.03 | 1435.01 | 1439.21 | 1389.87 | 1416.21 | 1555.96 | 1626.55 | 1637.79 | 1607.52 | 1532.02 | 1440.44 | 1405.75 |
| 35.00° | 1326.46 | 1332.38 | 1340.18 | 1279.60 | 1269.05 | 1269.49 | 1337.19 | 1335.78 | 1335.33 | 1382.28 | 1523.01 | 1504.87 | 1476.88 | 1516.01 | 1501.83 | 1378.88 | 1326.46 |
| 40.00° | 1248.67 | 1235.47 | 1185.00 | 1142.24 | 1131.89 | 1152.91 | 1208.79 | 1263.59 | 1244.46 | 1300.69 | 1425.65 | 1256.60 | 1144.13 | 1225.77 | 1384.60 | 1282.82 | 1248.67 |
| 45.00° | 1119.30 | 1092.39 | 1051.96 | 973.63 | 942.16 | 979.96 | 1054.24 | 1116.14 | 1122.56 | 1206.31 | 1187.51 | 971.51 | 946.51 | 995.19 | 1189.49 | 1204.20 | 1119.30 |
| 50.00° | 977.80 | 962.12 | 887.29 | 783.19 | 741.21 | 791.78 | 894.63 | 961.02 | 977.77 | 1086.93 | 922.12 | 781.01 | 724.86 | 773.54 | 929.50 | 1081.32 | 977.80 |
| 55.00° | 817.48 | 778.49 | 699.71 | 597.08 | 540.09 | 604.88 | 699.91 | 785.26 | 820.76 | 901.54 | 701.51 | 497.25 | 362.58 | 490.85 | 701.24 | 900.64 | 817.48 |
| 60.00° | 632.77 | 598.31 | 515.46 | 396.28 | 335.29 | 396.33 | 516.99 | 614.76 | 643.84 | 673.09 | 476.09 | 205.36 | 149.75 | 208.38 | 472.32 | 670.62 | 632.77 |
| 65.00° | 478.64 | 440.51 | 350.42 | 228.07 | 192.33 | 230.63 | 353.98 | 443.72 | 473.72 | 479.00 | 232.05 | 85.67 | 65.39 | 88.61 | 226.74 | 471.63 | 478.64 |
| 70.00° | 332.73 | 285.07 | 205.48 | 119.76 | 97.96 | 115.96 | 202.80 | 304.69 | 333.21 | 295.04 | 82.44 | 31.69 | 24.54 | 30.06 | 83.47 | 293.52 | 332.73 |
| 75.00° | 213.70 | 171.23 | 89.02 | 55.36 | 48.54 | 57.91 | 84.36 | 176.48 | 215.70 | 135.79 | 28.52 | 9.26 | 6.00 | 8.81 | 26.65 | 137.79 | 213.70 |
| 80.00° | 111.88 | 72.69 | 31.29 | 22.65 | 19.49 | 22.06 | 30.48 | 80.25 | 108.14 | 46.23 | 4.96 | 0.00 | 0.00 | 0.00 | 4.28 | 41.64 | 111.88 |
| 85.00° | 40.59 | 19.75 | 8.41 | 9.09 | 8.15 | 8.50 | 8.01 | 20.34 | 41.44 | 7.93 | 0.31 | 0.00 | 0.00 | 0.00 | 0.26 | 7.26 | 40.59 |
| 90.00° | 4.68 | 1.46 | 2.09 | 3.75 | 3.54 | 3.97 | 2.12 | 1.67 | 4.10 | 0.47 | 0.06 | 0.00 | 0.00 | 0.00 | 0.21 | 0.50 | 4.68 |