

PROJECT:

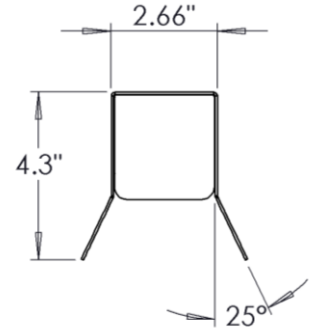
NOTES:

ORDERING INFORMATION:

**EXAMPLE** RAPP-P-25DEG - 8F - 30 - 9 - 35 - B - 347 - BC6 - CLE1 - DM  
SERIES      NOM. LENGTH      LUMENS      CRI      KELVINS      FINISH      VOLTAGE      OPTIONS      CONTROLS      DRIVER



**SHOP DRAWINGS**



**ORDERING INFORMATION**

**SERIES**  
RAPP-P-25DEG

**NOMINAL LENGTH**  
 2F 24"  
 4F 48"  
 6F 72"  
 8F 91"

**LUMENS\***  
 30 300 Lumens Per Foot  
 50 500 Lumens Per Foot  
 75 750 Lumens Per Foot  
 100 1000 Lumens Per Foot

\*Other lumen packages available

**CRI**  
 BLANK 80 CRI  
 9 90 CRI

**KELVIN**  
 27 2700K  
 30 3000K  
 35 3500K  
 40 4000K  
 50 5000K  
 TW Tunable White

**FINISH**  
 B Matte Textured Black  
 W Matte Textured White  
 G Matte Textured Grey\*  
 WS Matte Smooth White\*  
 C Custom Finish (Specify RAL Color)\*  
 P# JG Plating Color Number (see page 3)\*  
 \*Setup charge might be applicable for low quantities

**VOLTAGE**  
 BLANK 120-277V  
 347 347V

**OPTIONS**  
 AC# Suspension Aircraft Cable #ft\*\*  
 WC# White Cabtyre Wire #ft\*\*  
 BC# Black Cabtyre Wire #ft\*\*  
 EM Emergency Power Pack\*  
 \*Available in 120V  
 \*\*Specify only If air craft cable kits are over 4ft and if cabtyre is over 5ft

**CONTROLS\***  
 BLANK None  
 Click on the following link for control options:  
<https://bit.ly/2C5IXqa>  
 \*Confirm compatible models with factory

**DRIVER**  
 BLANK Non-dimming applications  
 DM 0-10V dimming  
 DA DALI driver  
 Click on the following link for special driver options:  
<https://bit.ly/2FqZ6qU>

**FEATURES**

- > Architectural specification grade linear luminaire with rounded corners and wide spread distribution
- > Matte powder coated finish applied post-production to ensure smooth edges and modern look
- > Wide selection of LED packages
- > Minimum 80 CRI; color range 2700K - 5000K available
- > Tunable White option available
- > Multiple dimming protocols available
- > Luminaire comes with 4ft air craft cable kits and 5ft cabtyre
- > 100% made in Canada

**APPLICATIONS**

- > Restaurants
- > Schools
- > Commercial
- > Retail
- > Libraries
- > Offices

LED

FIXTURE PERFORMANCE DATA

SPECIFICATIONS

**Outer envelope** – 0.06" thick aluminium envelope.

**Internal Luminaire Housing** – Precision die-formed 20-gauge C.R.S and 18-gauge end caps.

**Shielding** – White opal snap-in lens

**Finish** – Baked textured matte enamel powder finish applied post production on all surfaces for smooth edges and safe handling.

**Electrical** – High quality mid-power LED boards. L70 >72,000 hours reported / 129,200 hours calculated at maximum allowable output current. L85 >50,000 hours.

**Mounting** – Pendant

**Listings** –

■ cUL certified as luminaire suitable for dry or damp locations.

**Warranty** – 5-year limited warranty

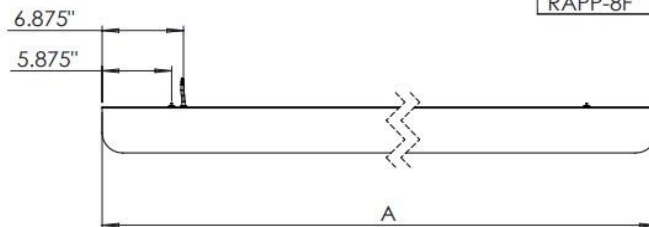
LED PACKAGE	DELIVERED LUMENS	WATTAGE	EFFICACY (lm/W)
RAPP-P-25DEG-4F-White			
300 lm per ft	1,214	9	134
500 lm per ft	2,081	16	130
750 lm per ft	3,127	26	120
1000 lm per ft	3,941	34	116
RAPP-P-25DEG-4F-Black			
300 lm per ft	1,203	12	100
500 lm per ft	2,020	21	96
750 lm per ft	3,034	36	84
1000 lm per ft	4,000	45	89

\*Based on 4000K and 80 CRI

MULTIPLIER TABLE	
COLOR TEMPERATURE	
CCT/CRI	CONVERSION FACTOR
3000K / 80 CRI	0.95
3500K / 80 CRI	0.97
4000K / 80 CRI	1
5000K / 80 CRI	1.03

FIXTURE DETAILS

	A
RAPP-2F	24"
RAPP-4F	48"
RAPP-6F	72"
RAPP-8F	91"



## RAPP - Plating Color Number

P1



Satin  
Brass

P2



Old Corsica  
Brass

P3



Dull  
Champagne

P4



Vintage  
Copper

P5



Copper  
Penny

P6



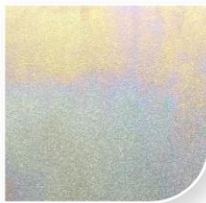
Dull  
Argento

P7



Satin  
Nickel

P8



HP Clear  
Zinc

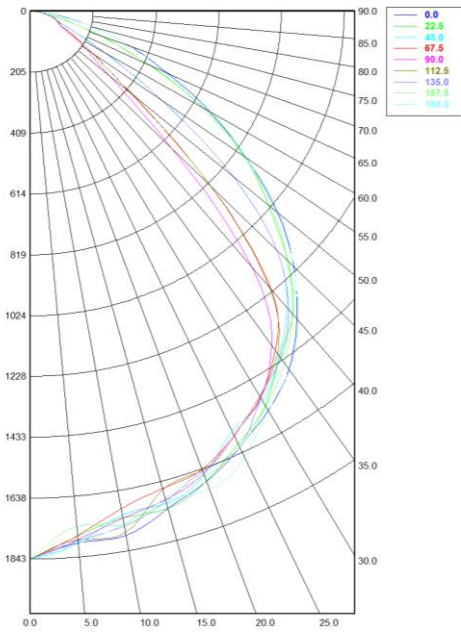
P9



Satin Smoke  
Chrome

PHOTOMETRY

RAPP-P-25DEG-4F-100-40-W



Candela Distribution

	0.00°	22.50°	45.00°	67.50°	90.00°	112.50°	135.00°	157.50°	180.00°
0.00°	1,842.63	1,842.63	1,842.63	1,842.63	1,842.63	1,842.63	1,842.63	1,842.63	1,842.63
5.00°	1,794.82	1,772.33	1,795.65	1,769.59	1,784.08	1,784.12	1,787.30	1,739.78	1,797.63
10.00°	1,790.90	1,731.28	1,721.18	1,700.44	1,731.91	1,781.98	1,759.37	1,753.87	1,751.47
15.00°	1,731.45	1,730.90	1,714.42	1,662.95	1,701.36	1,665.46	1,706.23	1,695.36	1,703.87
20.00°	1,682.41	1,680.90	1,658.29	1,639.29	1,653.85	1,643.68	1,646.31	1,663.80	1,711.26
25.00°	1,618.07	1,605.34	1,557.72	1,572.12	1,571.90	1,576.42	1,617.65	1,619.09	1,655.56
30.00°	1,551.93	1,533.80	1,514.94	1,502.00	1,502.78	1,496.52	1,503.30	1,537.01	1,553.53
35.00°	1,471.25	1,419.60	1,415.85	1,393.69	1,373.35	1,406.58	1,426.95	1,446.43	1,474.76
40.00°	1,352.77	1,331.88	1,303.98	1,227.31	1,131.60	1,216.40	1,311.68	1,327.99	1,359.84
45.00°	1,216.03	1,189.41	1,139.25	832.43	652.89	830.25	1,139.39	1,186.15	1,214.52
50.00°	1,054.25	1,015.74	859.59	425.35	329.72	431.89	862.44	1,033.06	1,063.11
55.00°	862.10	856.52	527.88	252.20	224.53	250.00	526.05	850.66	865.05
60.00°	676.21	649.67	276.40	157.40	139.16	162.70	284.27	650.36	685.38
65.00°	489.92	426.58	147.30	106.65	107.55	105.53	146.56	434.96	505.12
70.00°	352.51	242.67	90.84	94.71	97.16	91.50	92.85	242.34	354.24
75.00°	221.02	122.24	72.40	73.04	71.27	76.41	71.67	118.96	221.21
80.00°	120.90	54.74	50.17	45.39	43.18	47.06	49.20	53.94	123.22
85.00°	41.42	26.74	24.19	20.23	19.04	21.24	24.23	26.38	43.90
90.00°	7.69	6.87	3.37	2.23	1.81	1.70	3.40	6.92	8.02

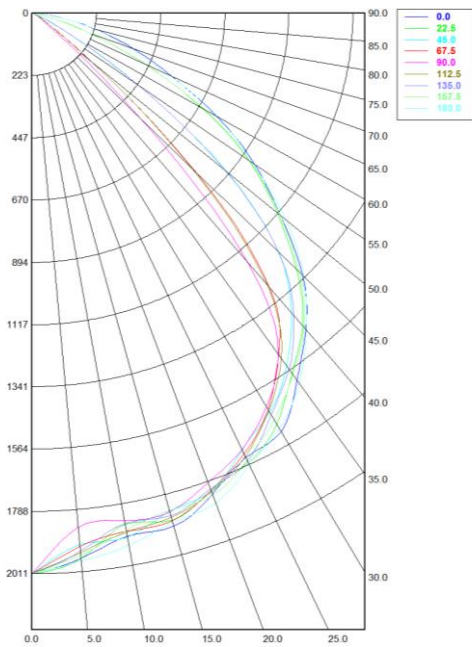
Zonal Lumen Summary

Zone	Lumens	% Fixture
0.00° - 10.00°	178.99	4.54%
10.00° - 20.00°	479.71	12.17%
20.00° - 30.00°	733.04	18.60%
30.00° - 40.00°	879.04	22.30%
40.00° - 50.00°	779.22	19.77%
50.00° - 60.00°	491.15	12.46%
60.00° - 70.00°	253.55	6.43%
70.00° - 80.00°	112.48	2.85%
80.00° - 90.00°	30.86	0.78%
90.00° - 100.00°	2.29	0.06%
100.00° - 110.00°	0.72	0.02%
110.00° - 120.00°	0.38	0.01%
120.00° - 130.00°	0.18	0.00%
130.00° - 140.00°	0.11	0.00%
140.00° - 150.00°	0.03	0.00%
150.00° - 160.00°	0.02	0.00%
160.00° - 170.00°	0.01	0.00%
170.00° - 180.00°	0.01	0.00%
0.00° - 90.00°	3,938.04	99.90%
90.00° - 180.00°	3.76	0.10%
0.00° - 180.00°	3,941.79	100.00%

Spacing Criterion:

Two luminaires, plane 0°	1.25
Two luminaires, plane 90°	1.2
Four luminaires	1.33

RAPP-P-25DEG-4F-100-40-B



Candela Distribution

	0.00°	22.50°	45.00°	67.50°	90.00°	112.50°	135.00°	157.50°	180.00°
0.00°	1,842.63	1,842.63	1,842.63	1,842.63	1,842.63	1,842.63	1,842.63	1,842.63	1,842.63
5.00°	1,794.82	1,772.33	1,795.65	1,769.59	1,784.08	1,784.12	1,787.30	1,739.78	1,797.63
10.00°	1,790.90	1,731.28	1,721.18	1,700.44	1,731.91	1,781.98	1,759.37	1,753.87	1,751.47
15.00°	1,731.45	1,730.90	1,714.42	1,662.95	1,701.36	1,665.46	1,706.23	1,695.36	1,703.87
20.00°	1,682.41	1,680.90	1,658.29	1,639.29	1,653.85	1,643.68	1,646.31	1,663.80	1,711.26
25.00°	1,618.07	1,605.34	1,557.72	1,572.12	1,571.90	1,576.42	1,617.65	1,619.09	1,655.56
30.00°	1,551.93	1,533.80	1,514.94	1,502.00	1,502.78	1,496.52	1,503.30	1,537.01	1,553.53
35.00°	1,471.25	1,419.60	1,415.85	1,393.69	1,373.35	1,406.58	1,426.95	1,446.43	1,474.76
40.00°	1,352.77	1,331.88	1,303.98	1,227.31	1,131.60	1,216.40	1,311.68	1,327.99	1,359.84
45.00°	1,216.03	1,189.41	1,139.25	832.43	652.89	830.25	1,139.39	1,186.15	1,214.52
50.00°	1,054.25	1,015.74	859.59	425.35	329.72	431.89	862.44	1,033.06	1,063.11
55.00°	862.10	856.52	527.88	252.20	224.53	250.00	526.05	850.66	865.05
60.00°	676.21	649.67	276.40	157.40	139.16	162.70	284.27	650.36	685.38
65.00°	489.92	426.58	147.30	106.65	107.55	105.53	146.56	434.96	505.12
70.00°	352.51	242.67	90.84	94.71	97.16	91.50	92.85	242.34	354.24
75.00°	221.02	122.24	72.40	73.04	71.27	76.41	71.67	118.96	221.21
80.00°	120.90	54.74	50.17	45.39	43.18	47.06	49.20	53.94	123.22
85.00°	41.42	26.74	24.19	20.23	19.04	21.24	24.23	26.38	43.90
90.00°	7.69	6.87	3.37	2.23	1.81	1.70	3.40	6.92	8.02

Zonal Lumen Summary

Zone	Lumens	% Fixture
0.00° - 10.00°	178.99	4.54%
10.00° - 20.00°	479.71	12.17%
20.00° - 30.00°	733.04	18.60%
30.00° - 40.00°	879.04	22.30%
40.00° - 50.00°	779.22	19.77%
50.00° - 60.00°	491.15	12.46%
60.00° - 70.00°	253.55	6.43%
70.00° - 80.00°	112.48	2.85%
80.00° - 90.00°	30.86	0.78%
90.00° - 100.00°	2.29	0.06%
100.00° - 110.00°	0.72	0.02%
110.00° - 120.00°	0.38	0.01%
120.00° - 130.00°	0.18	0.00%
130.00° - 140.00°	0.11	0.00%
140.00° - 150.00°	0.03	0.00%
150.00° - 160.00°	0.02	0.00%
160.00° - 170.00°	0.01	0.00%
170.00° - 180.00°	0.01	0.00%
0.00° - 90.00°	3,938.04	99.90%
90.00° - 180.00°	3.76	0.10%
0.00° - 180.00°	3,941.79	100.00%

Spacing Criterion:

Two luminaires, plane 0°	1.25
Two luminaires, plane 90°	1.2
Four luminaires	1.33