

PROJECT:

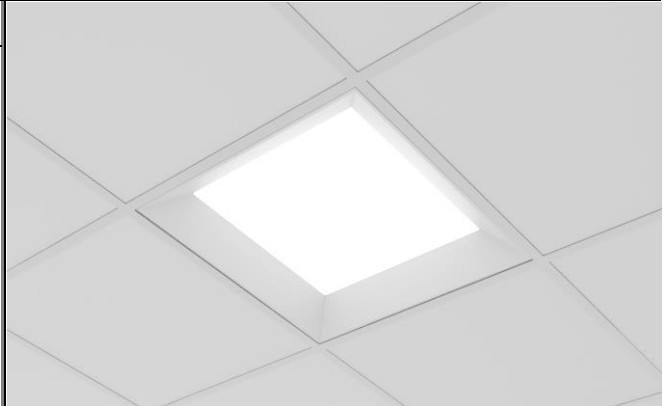
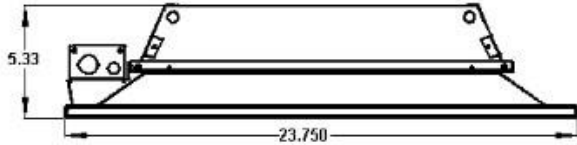
NOTES:

ORDERING INFORMATION:

EXAMPLE

SRL - 22 - 30 - 9 - 35 - MV - P1 - EM - CL6 DM  
 SERIES NOM. LENGTH LUMENS CRI KELVINS VOLTAGE LENS OPTIONS CONTROLS DRIVER

SHOP DRAWINGS



ORDERING INFORMATION

SERIES

SRL

VOLTAGE

MV 120-277V  
 347 347V

NOMINAL LENGTH

22 24" x 24"  
 M Metric

LENS

BLANK White Opal Acrylic Lens  
 P1 Prismatic Low Glare Lens

LUMENS

Lumen Package*	Nom. Lumens	Wattage
24" x 24"		
30	3,000	27
50	5,000	49

\*Other lumen packages available

OPTIONS

EM Emergency Power Pack  
 FK Flange Kit

CRI

BLANK 80 CRI  
 9 90 CRI

CONTROLS

BLANK None  
 Click on the following link for control options:  
<https://bit.ly/2KzMuAx>

KELVIN

30 3000K  
 35 3500K  
 40 4000K  
 50 5000K  
 TW Tunable White

DRIVER

BLANK Non-dimming applications  
 DM 0-10V dimming  
 DA DALI driver  
 Click on the following link for special driver options:  
<https://bit.ly/2FqZ6qU>

FEATURES

- > Premium architectural LED recessed luminaire for applications requiring clean aesthetics, energy efficiency and comfortable illumination
- > Minimum 80 CRI; color range 3000K - 5000K available
- > Tunable White option available
- > Multiple dimming protocols available
- > White opal regressed acrylic lens for smooth and diffuse illumination
- > Lens regressed 2.22" from grid
- > 100% made in Canada

APPLICATIONS

- > Offices
- > Schools
- > Retail Stores
- > Commercial Applications
- > Hospitals
- > Nursing Homes

FIXTURE PERFORMANCE DATA

**SPECIFICATIONS**

**Housing** – Precision die-formed 20-gauge C.R.S and aluminium frame

**Lens** – White opal regress acrylic lens

**Finish** – Baked matte white enamel powder finish applied post production on all surfaces for smooth edges and safe handling.

**Electrical** – High quality mid-power LED boards. L70 >72,000 hours reported / 129,200 calculated at maximum allowable output current. L85 >50,000 hours.

**Mounting** – T-Bar ceilings

**Listings** –

- cUL certified as luminaire suitable for dry or damp locations.

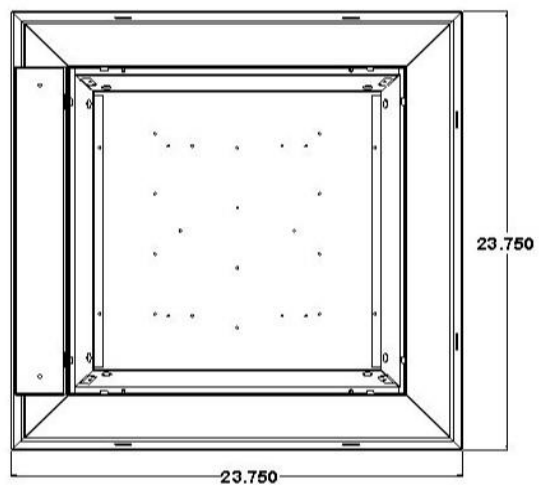
**Warranty** – 5-year limited warranty

LED PACKAGE	DELIVERED LUMENS	WATTAGE	EFFICACY (lm/W)
24" x 24"			
30	3,035	27	112
50	5,064	49	103

\*Results based on 4000K, 80 CRI, White Opal Lens (H1)

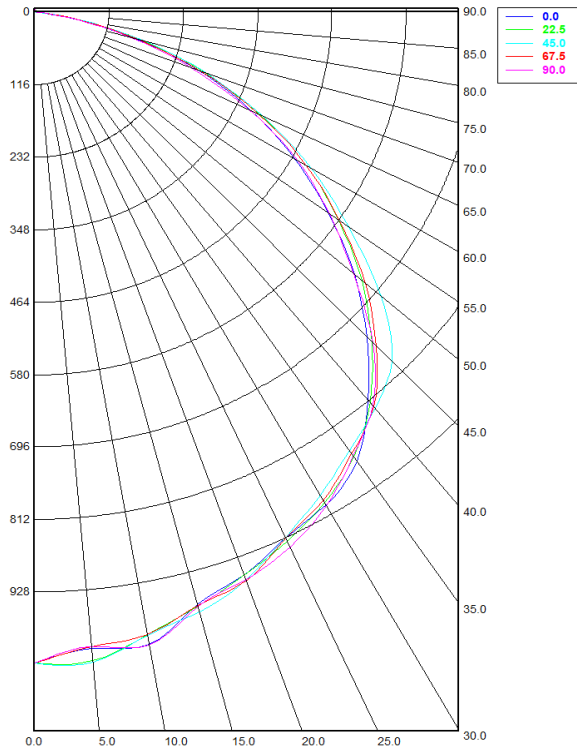
MULTIPLIER TABLE	
COLOR TEMPERATURE	
CCT/CRI	CONVERSION FACTOR
3000K / 80 CRI	0.95
3500K / 80 CRI	0.97
4000K / 80 CRI	1
5000K / 80 CRI	1.03

FIXTURE DETAILS



PHOTOMETRY

SRL-22-30-40-MV Total Luminaire Output: 3,035 lumens; 27 Watts



**Candela Distribution**

	0.00°	22.50°	45.00°	67.50°	90.00°
0.00°	1,042.08	1,042.08	1,042.08	1,042.08	1,042.08
5.00°	1,022.64	1,042.35	1,044.46	1,019.49	1,019.46
10.00°	1,027.48	1,012.51	1,013.18	1,011.71	1,028.37
15.00°	981.99	984.27	993.74	983.36	985.10
20.00°	957.96	958.33	966.04	967.91	966.24
25.00°	927.90	933.74	927.58	928.33	944.38
30.00°	911.31	906.57	893.42	902.95	912.80
35.00°	877.59	869.66	857.79	863.63	868.08
40.00°	810.70	815.84	828.02	824.54	822.26
45.00°	733.84	744.98	788.89	754.53	747.30
50.00°	652.44	667.29	706.20	674.72	650.81
55.00°	561.82	580.53	598.99	582.09	562.32
60.00°	468.75	490.87	498.91	491.03	474.96
65.00°	372.25	386.05	389.78	384.64	367.59
70.00°	271.02	280.48	283.79	274.61	259.01
75.00°	158.15	171.26	174.08	167.11	155.78
80.00°	57.40	64.68	70.06	65.97	59.90
85.00°	3.49	4.82	7.03	5.64	4.37
90.00°	0.27	0.36	0.23	0.20	0.37

**Spacing Criterion:**

Two luminaires, plane 0°	1.3
Two luminaires, plane 90°	1.3
Four luminaires	1.45

**Zonal Lumen Summary**

Zone	Lumens	% Fixture
0.00° - 10.00°	103.90	3.42%
10.00° - 20.00°	278.61	9.18%
20.00° - 30.00°	429.94	14.16%
30.00° - 40.00°	540.78	17.82%
40.00° - 50.00°	579.88	19.10%
50.00° - 60.00°	518.41	17.08%
60.00° - 70.00°	377.01	12.42%
70.00° - 80.00°	177.18	5.84%
80.00° - 90.00°	20.50	0.68%
90.00° - 100.00°	0.34	0.01%
100.00° - 110.00°	0.74	0.02%
110.00° - 120.00°	1.03	0.03%
120.00° - 130.00°	1.19	0.04%
130.00° - 140.00°	1.27	0.04%
140.00° - 150.00°	1.46	0.05%
150.00° - 160.00°	1.52	0.05%
160.00° - 170.00°	1.18	0.04%
170.00° - 180.00°	0.45	0.01%
0.00° - 90.00°	3,026.21	99.70%
90.00° - 180.00°	9.18	0.30%
0.00° - 180.00°	3,035.39	100.00%