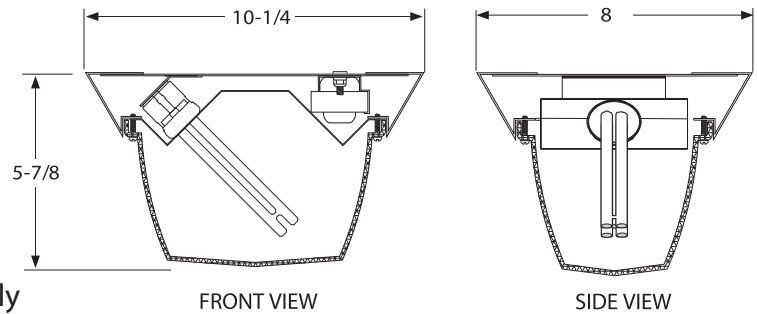
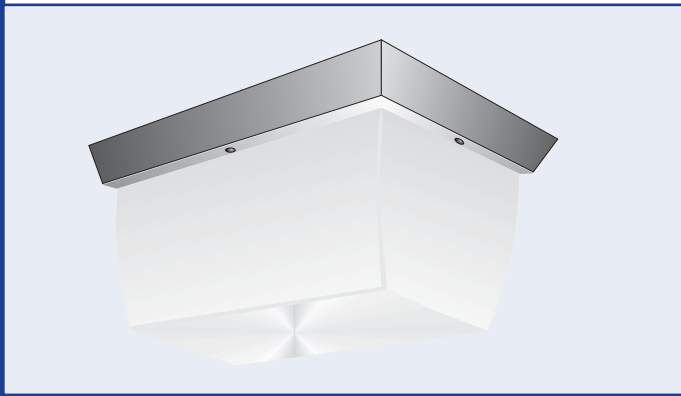


PUQA

Security Luminaire

www.pacolighting.com

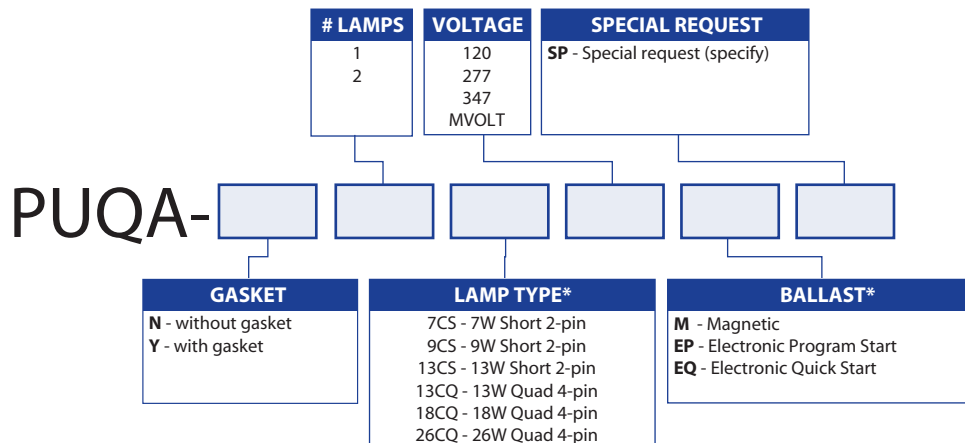


Robust tamper proof luminaire that is specially designed to prevent item concealment. Intended for security applications such as prisons or detention centers.

DESIGN FEATURES

- ▶ **Backplate:** One-piece 16 gauge cold rolled steel backplate makes a firm mounting anchor. Its angular edges ensure that any concealed item falls to the floor. White enamel powder coat finish is applied post-production to ensure smooth edges
- ▶ **Optional Insulation:** Continuous neoprene gasket lining (specify in gasket options)
- ▶ **Lens:** Injection molded 1/8" thick (nominal) clear prismatic polycarbonate lens with internal and external prisms for low brightness and highly efficient security illumination.
- ▶ **Lamps:** Available with one or two compact fluorescent lamps (specify in lamp options)
- ▶ **Fasteners:** 4 stainless steel tamper proof screws secure lens to backplate and prevent unauthorized access
- ▶ **Certifications:** CSA, UL

TO ORDER



* Please consult the reference section on p.72 for additional options. For special applications, please contact your Pa-Co sales representative.